



## **Specification Book**

November 1, 2019



1055 36th Street SE, Grand Rapids, MI 49508  
[www.directsupplyinc.com](http://www.directsupplyinc.com)  
P: 616-245-4415 | F: 616-245-1890  
[sales@directsupplyinc.com](mailto:sales@directsupplyinc.com)

# TABLE OF CONTENTS

## DESIGNER KITCHENS

Item Availability Chart . . . . .	6
General Line Descriptions . . . . .	11
Wall Cabinets . . . . .	25
Base Cabinets . . . . .	53
Drawer Base Cabinets . . . . .	72
Sink Base Cabinets . . . . .	81
Tall Cabinets . . . . .	91
Kitchen Accessories . . . . .	109
Door Sizes . . . . .	134
Wood Hoods . . . . .	138

## DESIGNER VANITIES

Item Availability Chart . . . . .	141
Danbury White . . . . .	142
Dover Line . . . . .	156
Branford Slab. . . . .	170
Dover Castle . . . . .	184
Dover Lunar . . . . .	198
Norwich Slab . . . . .	212
Trenton Slab . . . . .	226
Trenton Line . . . . .	241
Vanity Accessories . . . . .	251
Door Sizes . . . . .	253

# TABLE OF CONTENTS

## CRAFTSMAN & PREMIER KITCHENS

Item Availability Chart . . . . .	255
General Line Descriptions . . . . .	261
Wall Cabinets . . . . .	266
Base Cabinets . . . . .	293
Drawer Base Cabinets . . . . .	309
Sink Base Cabinets . . . . .	315
Tall Cabinets . . . . .	322
Door Sizes . . . . .	336

## CRAFTSMAN & PREMIER VANITIES

Craftsman Vanity	
General Line Descriptions . . . . .	341
Vanities with no drawers . . . . .	344
Vanities with drawers . . . . .	347
Vanity drawer bases . . . . .	348
Premier Vanity	
General Line Descriptions . . . . .	351
Vanities with no drawers . . . . .	355
Vanities with drawers . . . . .	359
Vanity drawer bases . . . . .	363

# **Designer Kitchens**



# Item Availability Chart

	Dover	Essex	Branford	Castle	Lunar	Trenton	Yarmouth	Norwich
2DB30	✓	✓	✓	✓	✓	✓	✓	✓
2DB36	✓	✓	✓	✓	✓	✓	✓	✓
AB24	✓	✓	✓	✓	✓	✓	✓	✓
AF330F	✓	✓	✓	✓	✓	✓	✓	✓
AF336F	✓	✓	✓	✓	✓	✓	✓	✓
AF342F	✓	✓	✓	✓	✓	✓	✓	✓
AW30	✓	✓	✓	✓	✓	✓	✓	✓
AW36	✓	✓	✓	✓	✓	✓	✓	✓
AW42	✓	✓	✓	✓	✓	✓	✓	✓
B12	✓	✓	✓	✓	✓	✓	✓	✓
B15	✓	✓	✓	✓	✓	✓	✓	✓
B15RT	✓	✓	✓	✓	✓	✓	✓	✓
B15SCRT	✓	✓	✓	✓	✓	✓	✓	✓
B15FTTR-DMK	✓	✓	✓	✓	✓	✓	✓	✓
B18	✓	✓	✓	✓	✓	✓	✓	✓
B18CHGDR18	✓	✓	✓	✓	✓	✓	✓	✓
B18RT	✓	✓	✓	✓	✓	✓	✓	✓
B18SCRT	✓	✓	✓	✓	✓	✓	✓	✓
B18FTTR-DMK	✓	✓	✓	✓	✓	✓	✓	✓
B18TR	✓	✓	✓	✓	✓	✓	✓	✓
B18TR-DMK	✓	✓	✓	✓	✓	✓	✓	✓
B18TTCD18	✓	✓	✓	✓	✓	✓	✓	✓
B21	✓	✓	✓	✓	✓	✓	✓	✓
B21RT	✓	✓	✓	✓	✓	✓	✓	✓
B21SCRT	✓	✓	✓	✓	✓	✓	✓	✓
B24B	✓	✓	✓	✓	✓	✓	✓	✓
B24BRT	✓	✓	✓	✓	✓	✓	✓	✓
B24BSCRT	✓	✓	✓	✓	✓	✓	✓	✓
B27B	✓	✓	✓	✓	✓	✓	✓	✓
B27BRT	✓	✓	✓	✓	✓	✓	✓	✓
B27BSCRT	✓	✓	✓	✓	✓	✓	✓	✓

	Dover	Essex	Branford	Castle	Lunar	Trenton	Yarmouth	Norwich
B30B	✓	✓	✓	✓	✓	✓	✓	✓
B30BRT	✓	✓	✓	✓	✓	✓	✓	✓
B30BSCRT	✓	✓	✓	✓	✓	✓	✓	✓
B33	✓	✓	✓	✓	✓	✓	✓	✓
B36	✓	✓	✓	✓	✓	✓	✓	✓
B36RT	✓	✓	✓	✓	✓	✓	✓	✓
B36SCRT	✓	✓	✓	✓	✓	✓	✓	✓
B42	✓	✓	✓	✓	✓	✓	✓	✓
B42RT	✓	✓	✓	✓	✓	✓	✓	✓
B42SCRT	✓	✓	✓	✓	✓	✓	✓	✓
BBC36/39	✓	✓	✓	✓	✓	✓	✓	✓
BBC42/45	✓	✓	✓	✓	✓	✓	✓	✓
BBPQTR	✓	✓	✓	✓	✓	✓	✓	✓
BDEC	✓	✓	✓	✓	✓	✓	✓	✓
BF	✓	✓	✓	✓	✓	✓	✓	✓
BF09	✓	✓	✓	✓	✓	✓	✓	✓
BF09PO	✓	✓	✓	✓	✓	✓	✓	✓
BF09TRAYDIVPO	✓	✓	✓	✓	✓	✓	✓	✓
BFD1821	✓	✓	✓	✓	✓	✓	✓	✓
BSKIN	✓	✓	✓	✓	✓	✓	✓	✓
BTM8	✓	✓	✓	✓	✓	✓	✓	✓
CB	✓	✓	✓	✓	✓	✓	✓	✓
CCM8	✓	✓	✓	✓	✓	✓	✓	✓
CM8-S	✓	✓	✓	✓	✓	✓	✓	✓
CM8-T	✓	✓	✓	✓	✓	✓	✓	✓
COC3384	✓	✓	✓	✓	✓	✓	✓	✓
COC3390	✓	✓	✓	✓	✓	✓	✓	✓
COC3396	✓	✓	✓	✓	✓	✓	✓	✓
CSF36	✓	✓	✓	✓	✓	✓	✓	✓
CTP3	✓	✓	✓	✓	✓	✓	✓	✓
CUTTRAY	✓	✓	✓	✓	✓	✓	✓	✓

# Item Availability Chart

	Dover	Essex	Branford	Castle	Lunar	Trenton	Yarmouth	Norwich
DB12	✓	✓	✓	✓	✓	✓	✓	✓
DB15	✓	✓	✓	✓	✓	✓	✓	✓
DB18	✓	✓	✓	✓	✓	✓	✓	✓
DB18CHGDR18	✓	✓	✓	✓	✓	✓	✓	✓
DB18TTCD18	✓	✓	✓	✓	✓	✓	✓	✓
DB21	✓	✓	✓	✓	✓	✓	✓	✓
DB24	✓	✓	✓	✓	✓	✓	✓	✓
DB30	✓	✓	✓	✓	✓	✓	✓	✓
DB36	✓	✓	✓	✓	✓	✓	✓	✓
DM4	✓	✓	✓	✓	✓	✓	✓	✓
DOC3384	✓	✓	✓	✓	✓	✓	✓	✓
DOC3390	✓	✓	✓	✓	✓	✓	✓	✓
DOC3396	✓	✓	✓	✓	✓	✓	✓	✓
DSB36	✓	✓	✓	✓	✓	✓	✓	✓
DSB36-1TILT	✓	✓	✓	✓	✓	✓	✓	✓
DU3021	✓	✓	✓	✓	✓	✓	✓	✓
DWR3	✓	✓	✓	✓	✓	✓	✓	✓
DWR3F	✓	✓	✓	✓	✓	✓	✓	✓
FBM8-S	✓	✓	✓	✓	✓	✓	✓	✓
FBM8-T	✓	✓	✓	✓	✓	✓	✓	✓
FSB30B	✓	✓	✓	✓	✓	✓	✓	✓
FSB36	✓	✓	✓	✓	✓	✓	✓	✓
GW1530	✓	✓	✓	✓	✓	✓	✓	✓
GW1536	✓	✓	✓	✓	✓	✓	✓	✓
GW1542	✓	✓	✓	✓	✓	✓	✓	✓
GW1830	✓	✓	✓	✓	✓	✓	✓	✓
GW1836	✓	✓	✓	✓	✓	✓	✓	✓
GW1842	✓	✓	✓	✓	✓	✓	✓	✓
GW3030B	✓	✓	✓	✓	✓	✓	✓	✓
GW3036B	✓	✓	✓	✓	✓	✓	✓	✓
GW3042B	✓	✓	✓	✓	✓	✓	✓	✓

	Dover	Essex	Branford	Castle	Lunar	Trenton	Yarmouth	Norwich
GW3630	✓	✓	✓	✓	✓	✓	✓	✓
GW3636	✓	✓	✓	✓	✓	✓	✓	✓
GW3642	✓	✓	✓	✓	✓	✓	✓	✓
GWDC2430	✓	✓	✓	✓	✓	✓	✓	✓
GWDC2436	✓	✓	✓	✓	✓	✓	✓	✓
GWDC2442	✓	✓	✓	✓	✓	✓	✓	✓
GWDC2736	✓	✓	✓	✓	✓	✓	✓	✓
GWDC2742	✓	✓	✓	✓	✓	✓	✓	✓
ICM8	✓	✓	✓	✓	✓	✓	✓	✓
LCM8	✓	✓	✓	✓	✓	✓	✓	✓
LRM8-S	✓	✓	✓	✓	✓	✓	✓	✓
LRM8-T	✓	✓	✓	✓	✓	✓	✓	✓
LS33	✓	✓	✓	✓	✓	✓	✓	✓
LS36	✓	✓	✓	✓	✓	✓	✓	✓
LS36DR-BOTH	✓	✓	✓	✓	✓	✓	✓	✓
LS36DR-BOTTOM	✓	✓	✓	✓	✓	✓	✓	✓
LS36DR-TOP	✓	✓	✓	✓	✓	✓	✓	✓
MB30	✓	✓	✓	✓	✓	✓	✓	✓
MW3030B	✓	✓	✓	✓	✓	✓	✓	✓
MW3036B	✓	✓	✓	✓	✓	✓	✓	✓
MW3042B	✓	✓	✓	✓	✓	✓	✓	✓
OC3384	✓	✓	✓	✓	✓	✓	✓	✓
OC3390	✓	✓	✓	✓	✓	✓	✓	✓
OC3396	✓	✓	✓	✓	✓	✓	✓	✓
OM8	✓	✓	✓	✓	✓	✓	✓	✓
PGW1530	✓	✓	✓	✓	✓	✓	✓	✓
PGW1536	✓	✓	✓	✓	✓	✓	✓	✓
PGW1542	✓	✓	✓	✓	✓	✓	✓	✓
PGW1830	✓	✓	✓	✓	✓	✓	✓	✓
PGW1836	✓	✓	✓	✓	✓	✓	✓	✓
PGW1842	✓	✓	✓	✓	✓	✓	✓	✓

# Item Availability Chart

	Dover	Essex	Branford	Castle	Lunar	Trenton	Yarmouth	Norwich
PGW3030B	✓	✓	✓	✓	✓	✓	✓	✓
PGW3036B	✓	✓	✓	✓	✓	✓	✓	✓
PGW3042B	✓	✓	✓	✓	✓	✓	✓	✓
PGW3630	✓	✓	✓	✓	✓	✓	✓	✓
PGW3636	✓	✓	✓	✓	✓	✓	✓	✓
PGW3642	✓	✓	✓	✓	✓	✓	✓	✓
PGWDC2430	✓	✓	✓	✓	✓	✓	✓	✓
PGWDC2436	✓	✓	✓	✓	✓	✓	✓	✓
PGWDC2442	✓	✓	✓	✓	✓	✓	✓	✓
PGWDC2736	✓	✓	✓	✓	✓	✓	✓	✓
PGWDC2742	✓	✓	✓	✓	✓	✓	✓	✓
PHLF	✓	✓	✓	✓	✓	✓	✓	✓
PQTR	✓	✓	✓	✓	✓	✓	✓	✓
REF3096	✓	✓	✓	✓	✓	✓	✓	✓
REF84 (1.5")	✓	✓	✓	✓	✓	✓	✓	✓
REF96 (1.5")	✓	✓	✓	✓	✓	✓	✓	✓
RM8	✓	✓	✓	✓	✓	✓	✓	✓
SAMPLE BASE	✓	✓	✓	✓	✓	✓	✓	✓
SB24B*	✓	✓	✓	✓	✓	✓	✓	✓
SB27B*	✓	✓	✓	✓	✓	✓	✓	✓
SB30B	✓	✓	✓	✓	✓	✓	✓	✓
SB30B-1TILT	✓	✓	✓	✓	✓	✓	✓	✓
SB33	✓	✓	✓	✓	✓	✓	✓	✓
SB33-2TILT	✓	✓	✓	✓	✓	✓	✓	✓
SB36	✓	✓	✓	✓	✓	✓	✓	✓
SB36-2TILT	✓	✓	✓	✓	✓	✓	✓	✓
SB42	✓	✓	✓	✓	✓	✓	✓	✓
SCW2430	✓	✓	✓	✓	✓	✓	✓	✓
SCW2436	✓	✓	✓	✓	✓	✓	✓	✓
SCW2442	✓	✓	✓	✓	✓	✓	✓	✓
SD	✓	✓	✓	✓	✓	✓	✓	✓

	Dover	Essex	Branford	Castle	Lunar	Trenton	Yarmouth	Norwich
SDBAG	✓	✓	✓	✓	✓	✓	✓	✓
SDDR	✓	✓	✓	✓	✓	✓	✓	✓
SH3630	✓	✓	✓	✓	✓	✓	✓	✓
SH4230	✓	✓	✓	✓	✓	✓	✓	✓
SHM8	✓	✓	✓	✓	✓	✓	✓	✓
SM8	✓	✓	✓	✓	✓	✓	✓	✓
SP3	✓	✓	✓	✓	✓	✓	✓	✓
TB12	✓	✓	✓	✓	✓	✓	✓	✓
TF	✓	✓	✓	✓	✓	✓	✓	✓
TF1.596	✓	✓	✓	✓	✓	✓	✓	✓
TF396	✓	✓	✓	✓	✓	✓	✓	✓
TF696	✓	✓	✓	✓	✓	✓	✓	✓
TK8	✓	✓	✓	✓	✓	✓	✓	✓
TP3	✓	✓	✓	✓	✓	✓	✓	✓
TRAYDIV	✓	✓	✓	✓	✓	✓	✓	✓
TUK	✓	✓	✓	✓	✓	✓	✓	✓
VAL36	✓	✓	✓	✓	✓	✓	✓	✓
VAL48	✓	✓	✓	✓	✓	✓	✓	✓
W0930	✓	✓	✓	✓	✓	✓	✓	✓
W0936	✓	✓	✓	✓	✓	✓	✓	✓
W0942	✓	✓	✓	✓	✓	✓	✓	✓
W1230	✓	✓	✓	✓	✓	✓	✓	✓
W1236	✓	✓	✓	✓	✓	✓	✓	✓
W1242	✓	✓	✓	✓	✓	✓	✓	✓
W1530	✓	✓	✓	✓	✓	✓	✓	✓
W1530GD	✓	✓	✓	✓	✓	✓	✓	✓
W1530PGD	✓	✓	✓	✓	✓	✓	✓	✓
W1536	✓	✓	✓	✓	✓	✓	✓	✓
W1536GD	✓	✓	✓	✓	✓	✓	✓	✓
W1536PGD	✓	✓	✓	✓	✓	✓	✓	✓
W1542	✓	✓	✓	✓	✓	✓	✓	✓

# Item Availability Chart

	Dover	Essex	Branford	Castle	Lunar	Trenton	Yarmouth	Norwich
W1542GD	<	<	<	<	<	<	<	<
W1542PGD	<	<	<	<	<	<	<	<
W1830	<	<	<	<	<	<	<	<
W1830GD	<	<	<	<	<	<	<	<
W1830PGD	<	<	<	<	<	<	<	<
W1836	<	<	<	<	<	<	<	<
W1836GD	<	<	<	<	<	<	<	<
W1836PGD	<	<	<	<	<	<	<	<
W1842	<	<	<	<	<	<	<	<
W1842GD	<	<	<	<	<	<	<	<
W1842PGD	<	<	<	<	<	<	<	<
W2130	<	<	<	<	<	<	<	<
W2136	<	<	<	<	<	<	<	<
W2142	<	<	<	<	<	<	<	<
W2415B	<	<	<	<	<	<	<	<
W2430B	<	<	<	<	<	<	<	<
W2436B	<	<	<	<	<	<	<	<
W2442B	<	<	<	<	<	<	<	<
W2730B	<	<	<	<	<	<	<	<
W2736B	<	<	<	<	<	<	<	<
W2742B	<	<	<	<	<	<	<	<
W3012B	<	<	<	<	<	<	<	<
W3015B	<	<	<	<	<	<	<	<
W3018B	<	<	<	<	<	<	<	<
W3024B	<	<	<	<	<	<	<	<
W3030B	<	<	<	<	<	<	<	<
W3030BGD	<	<	<	<	<	<	<	<
W3030BPGD	<	<	<	<	<	<	<	<
W3036B	<	<	<	<	<	<	<	<
W3036BGD	<	<	<	<	<	<	<	<
W3036BPGD	<	<	<	<	<	<	<	<

	Dover	Essex	Branford	Castle	Lunar	Trenton	Yarmouth	Norwich
W3042B	<	<	<	<	<	<	<	<
W3042BGD	<	<	<	<	<	<	<	<
W3042BPGD	<	<	<	<	<	<	<	<
W3315	<	<	<	<	<	<	<	<
W3318	<	<	<	<	<	<	<	<
W3330	<	<	<	<	<	<	<	<
W3336	<	<	<	<	<	<	<	<
W3342	<	<	<	<	<	<	<	<
W3612	<	<	<	<	<	<	<	<
W361224	<	<	<	<	<	<	<	<
W3615	<	<	<	<	<	<	<	<
W361524	<	<	<	<	<	<	<	<
W3615PL	<	<	<	<	<	<	<	<
W3618	<	<	<	<	<	<	<	<
W361824	<	<	<	<	<	<	<	<
W361824APPULL	<	<	<	<	<	<	<	<
W3624	<	<	<	<	<	<	<	<
W362424	<	<	<	<	<	<	<	<
W362424APPULL	<	<	<	<	<	<	<	<
W3630	<	<	<	<	<	<	<	<
W3636	<	<	<	<	<	<	<	<
W3642	<	<	<	<	<	<	<	<
W391224	<	<	<	<	<	<	<	<
W391524	<	<	<	<	<	<	<	<
W391824	<	<	<	<	<	<	<	<
W4230	<	<	<	<	<	<	<	<
W4236	<	<	<	<	<	<	<	<
W4242	<	<	<	<	<	<	<	<
W42SKIN	<	<	<	<	<	<	<	<
WBC2730	<	<	<	<	<	<	<	<
WDC2430	<	<	<	<	<	<	<	<

# Item Availability Chart

	Dover	Essex	Branford	Castle	Lunar	Trenton	Yarmouth	Norwich
WDC2430GD	✓	✓	✓	✓	✓	✓	✓	✓
WDC2430PGD	✓	✓	✓	✓	✓	✓	✓	✓
WDC2436	✓	✓	✓	✓	✓	✓	✓	✓
WDC2436GD	✓	✓	✓	✓	✓	✓	✓	✓
WDC2436PGD	✓	✓	✓	✓	✓	✓	✓	✓
WDC2442	✓	✓	✓	✓	✓	✓	✓	✓
WDC2442GD	✓	✓	✓	✓	✓	✓	✓	✓
WDC2442PGD	✓	✓	✓	✓	✓	✓	✓	✓
WDC2736	✓	✓	✓	✓	✓	✓	✓	✓
WDC2742	✓	✓	✓	✓	✓	✓	✓	✓
WDEC30	✓	✓	✓	✓	✓	✓	✓	✓
WDEC36	✓	✓	✓	✓	✓	✓	✓	✓
WDEC42	✓	✓	✓	✓	✓	✓	✓	✓
WF330	✓	✓	✓	✓	✓	✓	✓	✓
WF330F	✓	✓	✓	✓	✓	✓	✓	✓
WF336F	✓	✓	✓	✓	✓	✓	✓	✓
WF342	✓	✓	✓	✓	✓	✓	✓	✓
WF342F	✓	✓	✓	✓	✓	✓	✓	✓
WF630	✓	✓	✓	✓	✓	✓	✓	✓
WF630F	✓	✓	✓	✓	✓	✓	✓	✓
WF642	✓	✓	✓	✓	✓	✓	✓	✓
WH36	✓	✓	✓	✓	✓	✓	✓	✓
WP1884	✓	✓	✓	✓	✓	✓	✓	✓
WP1884PO	✓	✓	✓	✓	✓	✓	✓	✓
WP1884RT	✓	✓	✓	✓	✓	✓	✓	✓
WP1884SCRT	✓	✓	✓	✓	✓	✓	✓	✓
WP1890	✓	✓	✓	✓	✓	✓	✓	✓
WP1890PO	✓	✓	✓	✓	✓	✓	✓	✓
WP1890RT	✓	✓	✓	✓	✓	✓	✓	✓

	Dover	Essex	Branford	Castle	Lunar	Trenton	Yarmouth	Norwich
WP1890SCRT	✓	✓	✓	✓	✓	✓	✓	✓
WP1896	✓	✓	✓	✓	✓	✓	✓	✓
WP1896PO	✓	✓	✓	✓	✓	✓	✓	✓
WP1896RT	✓	✓	✓	✓	✓	✓	✓	✓
WP1896SCRT	✓	✓	✓	✓	✓	✓	✓	✓
WP2484B	✓	✓	✓	✓	✓	✓	✓	✓
WP2484BRT	✓	✓	✓	✓	✓	✓	✓	✓
WP2484BSCRT	✓	✓	✓	✓	✓	✓	✓	✓
WP2490B	✓	✓	✓	✓	✓	✓	✓	✓
WP2490BRT	✓	✓	✓	✓	✓	✓	✓	✓
WP2490BSCRT	✓	✓	✓	✓	✓	✓	✓	✓
WP2496B	✓	✓	✓	✓	✓	✓	✓	✓
WP2496BRT	✓	✓	✓	✓	✓	✓	✓	✓
WP2496BSCRT	✓	✓	✓	✓	✓	✓	✓	✓
WP3084B	✓	✓	✓	✓	✓	✓	✓	✓
WP3084BRT	✓	✓	✓	✓	✓	✓	✓	✓
WP3084BSCRT	✓	✓	✓	✓	✓	✓	✓	✓
WP3090B	✓	✓	✓	✓	✓	✓	✓	✓
WP3090BRT	✓	✓	✓	✓	✓	✓	✓	✓
WP3090BSCRT	✓	✓	✓	✓	✓	✓	✓	✓
WP3096B	✓	✓	✓	✓	✓	✓	✓	✓
WP3096BRT	✓	✓	✓	✓	✓	✓	✓	✓
WP3096BSCRT	✓	✓	✓	✓	✓	✓	✓	✓
WPDEC84	✓	✓	✓	✓	✓	✓	✓	✓
WPDEC90	✓	✓	✓	✓	✓	✓	✓	✓
WPDEC96	✓	✓	✓	✓	✓	✓	✓	✓
WR1818	✓	✓	✓	✓	✓	✓	✓	✓
WR3015	✓	✓	✓	✓	✓	✓	✓	✓
WR30GH	✓	✓	✓	✓	✓	✓	✓	✓

## Dover Kitchen ( KD )

### General Specifications:

- Material: Solid maple frame and door stiles, plywood cabinet box
- Stain: White paint
- Interior: Natural Maple finish
- Drawer head design: One piece (Slab)
- Door design: Full overlay
- Door panel: Recessed,  $\frac{3}{16}$ " MDF square on both wall and base cabinets
- Door reversibility: Doors on all single door cabinets can be reversed

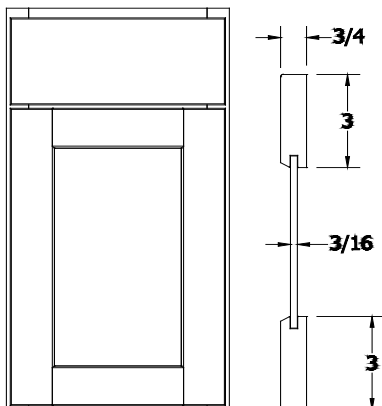
### Cabinet Specifications:

- Face frame:  $\frac{3}{4}$ " x  $1\frac{1}{2}$ " Mortise & Tenon
- Side panels:  $\frac{1}{2}$ " plywood with wood veneer on both sides
- Back panel:  $\frac{1}{2}$ " plywood with wood veneer on the inside
- Wall tops and bottoms:  $\frac{1}{2}$ " plywood with wood veneer on both sides
- Toe kick:  $\frac{1}{2}$ " x  $4\frac{1}{2}$ " Unfinished plywood, recessed
- Hinge: Soft closing concealed cup hinge with a 105 degree opening and 3-dimensional adjustment (side, depth and height adjustment)
- Shelves:  $\frac{3}{4}$ " thick plywood with wood veneer, edge banded front
- Shelf support: 8 mm bore steel shelf support
- Door Bumpers: Clear Quietex bumpers
- Base cabinet height:  $34\frac{1}{2}$ "
- Base cabinet depth: 24"
- Wall cabinet depth: 12"

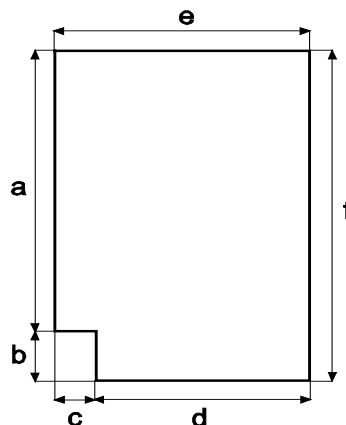
### Drawer Construction:

- Drawer design: Dovetail drawer
- Drawer sides:  $\frac{3}{4}$ " solid wood
- Drawer bottom:  $\frac{3}{8}$ " plywood with wood veneer
- Drawer glides: Steel undermount, full extension, soft-closing glides with clips

### Door Design:



### Base Side Panel Dimensions:



a	30"
b	$4\frac{1}{2}$ "
c	$2\frac{1}{2}$ "
d	21"
e	$23\frac{9}{16}$ "
f	$34\frac{1}{2}$ "

## Dover Castle ( KDC )

### General Specifications:

- Material: Solid maple frame and door stiles, plywood cabinet box
- Stain: Dark Gray paint
- Interior: Natural Maple finish
- Drawer head design: One piece (Slab)
- Door design: Full overlay
- Door panel: Recessed,  $\frac{3}{16}$ " MDF square on both wall and base cabinets
- Door reversibility: Doors on all single door cabinets can be reversed

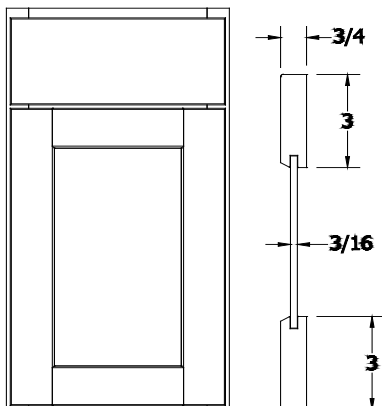
### Cabinet Specifications:

- Face frame:  $\frac{3}{4}$ " x  $1\frac{1}{2}$ " Mortise & Tenon
- Side panels:  $\frac{1}{2}$ " plywood with wood veneer on both sides
- Back panel:  $\frac{1}{2}$ " plywood with wood veneer on the inside
- Wall tops and bottoms:  $\frac{1}{2}$ " plywood with wood veneer on both sides
- Toe kick:  $\frac{1}{2}$ " x  $4\frac{1}{2}$ " Unfinished plywood, recessed
- Hinge: Soft closing concealed cup hinge with a 105 degree opening and 3-dimensional adjustment (side, depth and height adjustment)
- Shelves:  $\frac{3}{4}$ " thick plywood with wood veneer, edge banded front
- Shelf support: 8 mm bore steel shelf support
- Door Bumpers: Clear Quietex bumpers
- Base cabinet height:  $34\frac{1}{2}$ "
- Base cabinet depth: 24"
- Wall cabinet depth: 12"

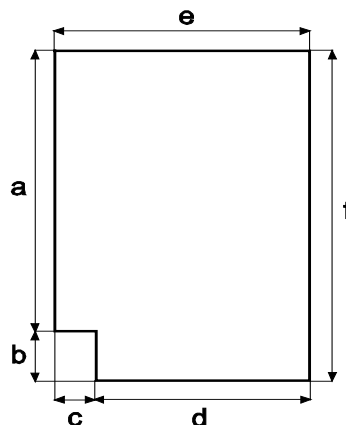
### Drawer Construction:

- Drawer design: Dovetail drawer
- Drawer sides:  $\frac{3}{4}$ " solid wood
- Drawer bottom:  $\frac{3}{8}$ " plywood with wood veneer
- Drawer glides: Steel undermount, full extension, soft-closing glides with clips

### Door Design:



### Base Side Panel Dimensions:



a	30"
b	$4\frac{1}{2}$ "
c	$2\frac{1}{2}$ "
d	21"
e	$23\frac{9}{16}$ "
f	$34\frac{1}{2}$ "

## Dover Lunar ( KDL )

### General Specifications:

- Material: Solid maple frame and door stiles, plywood cabinet box
- Stain: Gray stain
- Interior: Natural Maple finish
- Drawer head design: One piece (Slab)
- Door design: Full overlay
- Door panel: Recessed,  $\frac{3}{16}$ " MDF square on both wall and base cabinets
- Door reversibility: Doors on all single door cabinets can be reversed

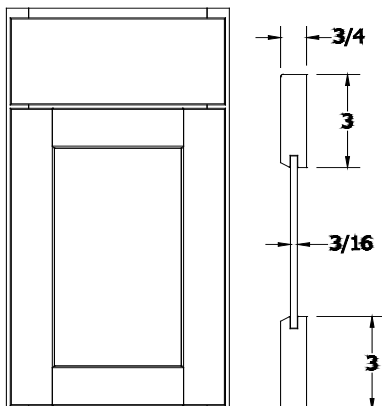
### Cabinet Specifications:

- Face frame:  $\frac{3}{4}$ " x  $1\frac{1}{2}$ " Mortise & Tenon
- Side panels:  $\frac{1}{2}$ " plywood with wood veneer on both sides
- Back panel:  $\frac{1}{2}$ " plywood with wood veneer on the inside
- Wall tops and bottoms:  $\frac{1}{2}$ " plywood with wood veneer on both sides
- Toe kick:  $\frac{1}{2}$ " x  $4\frac{1}{2}$ " Unfinished plywood, recessed
- Hinge: Soft closing concealed cup hinge with a 105 degree opening and 3-dimensional adjustment (side, depth and height adjustment)
- Shelves:  $\frac{3}{4}$ " thick plywood with wood veneer, edge banded front
- Shelf support: 8 mm bore steel shelf support
- Door Bumpers: Clear Quietex bumpers
- Base cabinet height:  $34\frac{1}{2}$ "
- Base cabinet depth: 24"
- Wall cabinet depth: 12"

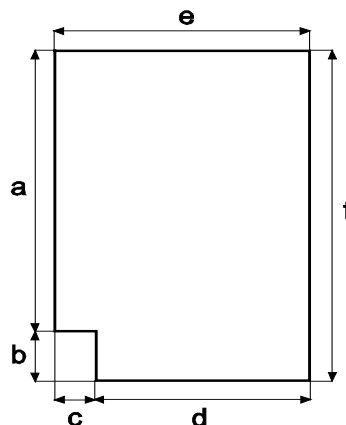
### Drawer Construction:

- Drawer design: Dovetail drawer
- Drawer sides:  $\frac{3}{4}$ " solid wood
- Drawer bottom:  $\frac{3}{8}$ " plywood with wood veneer
- Drawer glides: Steel undermount, full extension, soft-closing glides with clips

### Door Design:



### Base Side Panel Dimensions:



a	30"
b	$4\frac{1}{2}$ "
c	$2\frac{1}{2}$ "
d	21"
e	$23\frac{9}{16}$ "
f	$34\frac{1}{2}$ "



## Essex Kitchen ( KE )

### General Specifications:

- Material: Solid maple frame and door stiles, plywood cabinet box
- Stain: White paint
- Interior: Natural Maple finish
- Drawer head design: 5 piece with recessed panel
- Door design: Full overlay
- Door panel: Recessed,  $\frac{3}{16}$ " MDF square on both wall and base cabinets
- Door reversibility: Doors on all single door cabinets can be reversed

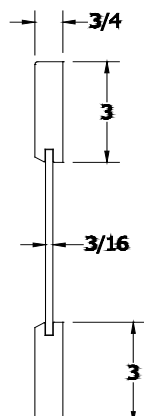
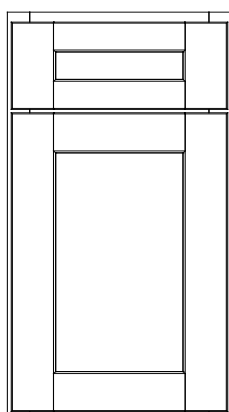
### Cabinet Specifications:

- Face frame:  $\frac{3}{4}$ " x  $1\frac{1}{2}$ " Mortise & Tenon
- Side panels:  $\frac{1}{2}$ " plywood with wood veneer on both sides
- Back panel:  $\frac{1}{2}$ " plywood with wood veneer on the inside
- Wall tops and bottoms:  $\frac{1}{2}$ " plywood with wood veneer on both sides
- Toe kick:  $\frac{1}{2}$ " x  $4\frac{1}{2}$ " Unfinished plywood, recessed
- Hinge: Soft closing concealed cup hinge with a 105 degree opening and 3-dimensional adjustment (side, depth and height adjustment)
- Shelves:  $\frac{3}{4}$ " thick plywood with wood veneer, edge banded front
- Shelf support: 8 mm bore steel shelf support
- Door Bumpers: Clear Quietex bumpers
- Base cabinet height:  $34\frac{1}{2}$ "
- Base cabinet depth: 24"
- Wall cabinet depth: 12"

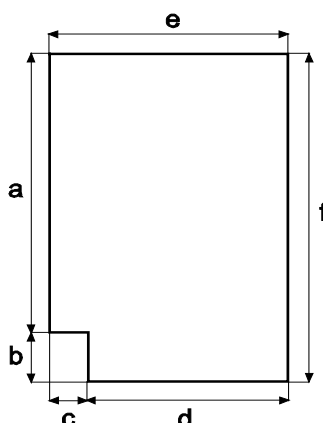
### Drawer Construction:

- Drawer design: Dovetail drawer
- Drawer sides:  $\frac{3}{4}$ " solid wood
- Drawer bottom:  $\frac{3}{8}$ " plywood with wood veneer
- Drawer glides: Steel undermount, full extension, soft-closing glides with clips

### Door Design:



### Base Side Panel Dimensions:



a	30"
b	$4\frac{1}{2}$ "
c	$2\frac{1}{2}$ "
d	21"
e	$23\frac{9}{16}$ "
f	$34\frac{1}{2}$ "

## Essex Castle ( KEC )

### General Specifications:

- Material: Solid maple frame and door stiles, plywood cabinet box
- Stain: Dark Gray paint
- Interior: Natural Maple finish
- Drawer head design: 5 piece with recessed panel
- Door design: Full overlay
- Door panel: Recessed,  $\frac{3}{16}$ " MDF square on both wall and base cabinets
- Door reversibility: Doors on all single door cabinets can be reversed

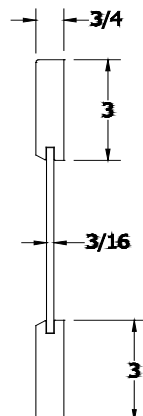
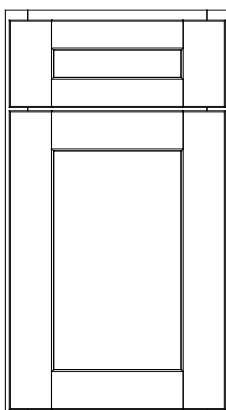
### Cabinet Specifications:

- Face frame:  $\frac{3}{4}$ " x  $1\frac{1}{2}$ " Mortise & Tenon
- Side panels:  $\frac{1}{2}$ " plywood with wood veneer on both sides
- Back panel:  $\frac{1}{2}$ " plywood with wood veneer on the inside
- Wall tops and bottoms:  $\frac{1}{2}$ " plywood with wood veneer on both sides
- Toe kick:  $\frac{1}{2}$ " x  $4\frac{1}{2}$ " Unfinished plywood, recessed
- Hinge: Soft closing concealed cup hinge with a 105 degree opening and 3-dimensional adjustment (side, depth and height adjustment)
- Shelves:  $\frac{3}{4}$ " thick plywood with wood veneer, edge banded front
- Shelf support: 8 mm bore steel shelf support
- Door Bumpers: Clear Quietex bumpers
- Base cabinet height:  $34\frac{1}{2}$ "
- Base cabinet depth: 24"
- Wall cabinet depth: 12"

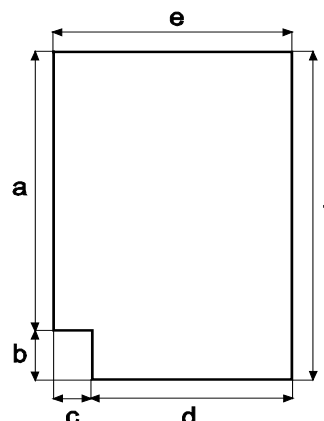
### Drawer Construction:

- Drawer design: Dovetail drawer
- Drawer sides:  $\frac{3}{4}$ " solid wood
- Drawer bottom:  $\frac{3}{8}$ " plywood with wood veneer
- Drawer glides: Steel undermount, full extension, soft-closing glides with clips

### Door Design:



### Base Side Panel Dimensions:



a	30"
b	$4\frac{1}{2}$ "
c	$2\frac{1}{2}$ "
d	21"
e	$23\frac{9}{16}$ "
f	$34\frac{1}{2}$ "

## Essex Lunar ( KEL )

### General Specifications:

- Material: Solid maple frame and door stiles, plywood cabinet box
- Stain: Gray stain
- Interior: Natural Maple finish
- Drawer head design: 5 piece with recessed panel
- Door design: Full overlay
- Door panel: Recessed,  $\frac{3}{16}$ " MDF square on both wall and base cabinets
- Door reversibility: Doors on all single door cabinets can be reversed

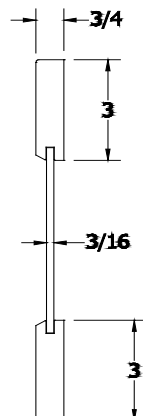
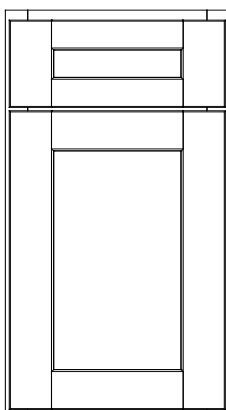
### Cabinet Specifications:

- Face frame:  $\frac{3}{4}$ " x  $1\frac{1}{2}$ " Mortise & Tenon
- Side panels:  $\frac{1}{2}$ " plywood with wood veneer on both sides
- Back panel:  $\frac{1}{2}$ " plywood with wood veneer on the inside
- Wall tops and bottoms:  $\frac{1}{2}$ " plywood with wood veneer on both sides
- Toe kick:  $\frac{1}{2}$ " x  $4\frac{1}{2}$ " Unfinished plywood, recessed
- Hinge: Soft closing concealed cup hinge with a 105 degree opening and 3-dimensional adjustment (side, depth and height adjustment)
- Shelves:  $\frac{3}{4}$ " thick plywood with wood veneer, edge banded front
- Shelf support: 8 mm bore steel shelf support
- Door Bumpers: Clear Quietex bumpers
- Base cabinet height:  $34\frac{1}{2}$ "
- Base cabinet depth: 24"
- Wall cabinet depth: 12"

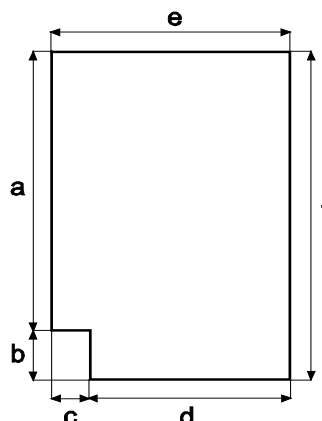
### Drawer Construction:

- Drawer design: Dovetail drawer
- Drawer sides:  $\frac{3}{4}$ " solid wood
- Drawer bottom:  $\frac{3}{8}$ " plywood with wood veneer
- Drawer glides: Steel undermount, full extension, soft-closing glides with clips

### Door Design:



### Base Side Panel Dimensions:



a	30"
b	$4\frac{1}{2}$ "
c	$2\frac{1}{2}$ "
d	21"
e	$23\frac{9}{16}$ "
f	$34\frac{1}{2}$ "

## Yarmouth Matching ( KYM )

### General Specifications:

- Material: Solid maple frame and door stiles, plywood cabinet box
- Paint: Ivory paint
- Interior: Natural Maple finish
- Door design: Full overlay
- Door panel: MDF raised, square on both wall and base cabinets
- Drawer head design: 5 piece with raised panel
- Door reversibility: Doors on all single door cabinets can be reversed

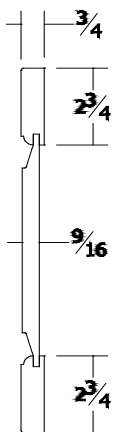
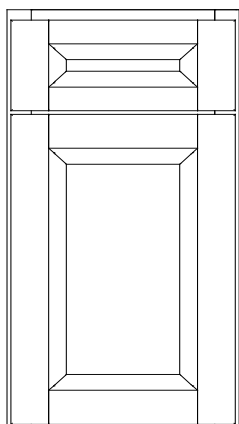
### Cabinet Specifications:

- Face frame:  $\frac{3}{4}$ " x  $1\frac{1}{2}$ " Mortise & Tenon
- Side panels:  $\frac{1}{2}$ " plywood with wood veneer on both sides
- Back panel:  $\frac{1}{2}$ " plywood with wood veneer on the inside
- Wall tops and bottoms:  $\frac{1}{2}$ " plywood with wood veneer on both sides
- Toe kick:  $\frac{1}{2}$ " x  $4\frac{1}{2}$ " Unfinished plywood, recessed
- Hinge: Soft closing concealed cup hinge with a 105 degree opening and 3-dimensional adjustment (side, depth and height adjustment)
- Shelves:  $\frac{3}{4}$ " thick plywood with wood veneer, edge banded front
- Shelf support: 8 mm bore steel shelf support
- Door Bumpers: Clear Quietex bumpers
- Base cabinet height:  $34\frac{1}{2}$ "
- Base cabinet depth: 24"
- Wall cabinet depth: 12"

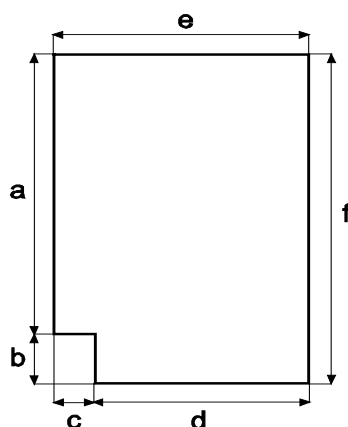
### Drawer Construction:

- Drawer design: Dovetail drawer
- Drawer sides:  $\frac{3}{4}$ " solid wood
- Drawer bottom:  $\frac{3}{8}$ " plywood with wood veneer
- Drawer glides: Steel undermount, full extension, soft-closing glides with clips

### Door Design:



### Base Side Panel Dimensions:



a	30"
b	$4\frac{1}{2}$ "
c	$2\frac{1}{2}$ "
d	21"
e	$23\frac{9}{16}$ "
f	$34\frac{1}{2}$ "

## Yarmouth Slab ( KYS )

### General Specifications:

- Material: Solid maple frame and door stiles, plywood cabinet box
- Paint: Ivory paint
- Interior: Natural Maple finish
- Door design: Full overlay
- Door panel: MDF raised, square on both wall and base cabinets
- Drawer head design: One piece (Slab)
- Door reversibility: Doors on all single door cabinets can be reversed

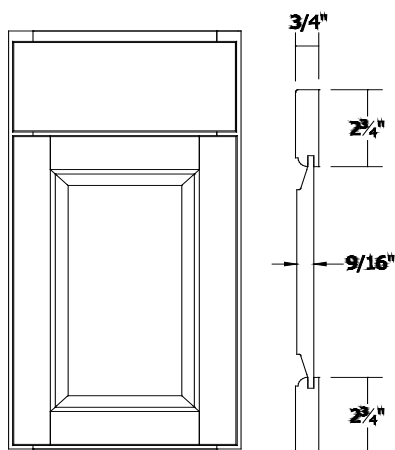
### Cabinet Specifications:

- Face frame:  $\frac{3}{4}$ " x  $1\frac{1}{2}$ " Mortise & Tenon
- Side panels:  $\frac{1}{2}$ " plywood with wood veneer on both sides
- Back panel:  $\frac{1}{2}$ " plywood with wood veneer on the inside
- Wall tops and bottoms:  $\frac{1}{2}$ " plywood with wood veneer on both sides
- Toe kick:  $\frac{1}{2}$ " x  $4\frac{1}{2}$ " Unfinished plywood, recessed
- Hinge: Soft closing concealed cup hinge with a 105 degree opening and 3-dimensional adjustment (side, depth and height adjustment)
- Shelves:  $\frac{3}{4}$ " thick plywood with wood veneer, edge banded front
- Shelf clips: Plastic, clear
- Door Bumpers: Clear Quietex bumpers
- Base cabinet height:  $34\frac{1}{2}$ "
- Base cabinet depth: 24"
- Wall cabinet depth: 12"

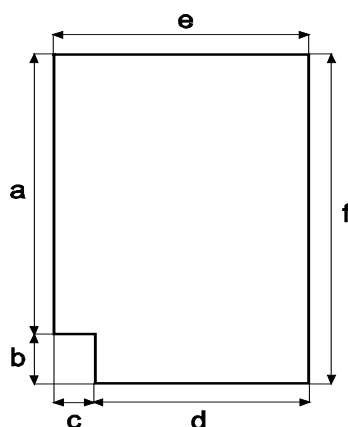
### Drawer Construction:

- Drawer design: Dovetail drawer
- Drawer sides:  $\frac{3}{4}$ " solid wood
- Drawer bottom:  $\frac{3}{8}$ " plywood with wood veneer
- Drawer glides: Steel undermount, full extension, soft-closing glides with clips

### Door Design:



### Base Side Panel Dimensions:



a	30"
b	$4\frac{1}{2}$ "
c	$2\frac{1}{2}$ "
d	21"
e	$23\frac{9}{16}$ "
f	$34\frac{1}{2}$ "

## Trenton Recessed ( KTR )

### General Specifications:

- Material: Solid maple frame and door stiles, plywood cabinet box
- Paint: Ivory paint
- Interior: Natural Maple finish
- Door design: Full overlay
- Door panel: MDF recessed, square on both wall and base cabinets
- Drawer head design: 5 piece with recessed panel
- Door reversibility: Doors on all single door cabinets can be reversed

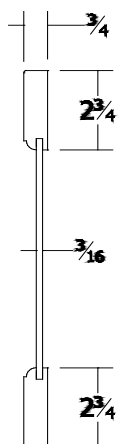
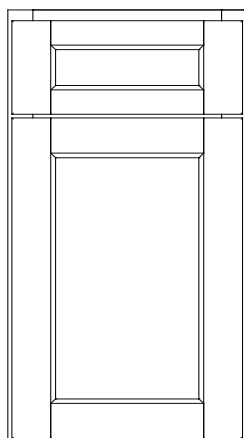
### Cabinet Specifications:

- Face frame:  $\frac{3}{4}$ " x  $1\frac{1}{2}$ " Mortise & Tenon
- Side panels:  $\frac{1}{2}$ " plywood with wood veneer on both sides
- Back panel:  $\frac{1}{2}$ " plywood with wood veneer on the inside
- Wall tops and bottoms:  $\frac{1}{2}$ " plywood with wood veneer on both sides
- Toe kick:  $\frac{1}{2}$ " x  $4\frac{1}{2}$ " Unfinished plywood, recessed
- Hinge: Soft closing concealed cup hinge with a 105 degree opening and 3-dimensional adjustment (side, depth and height adjustment)
- Shelves:  $\frac{3}{4}$ " thick plywood with wood veneer, edge banded front
- Shelf clips: Plastic, clear
- Door Bumpers: Clear Quietex bumpers
- Base cabinet height:  $34\frac{1}{2}$ "
- Base cabinet depth: 24"
- Wall cabinet depth: 12"

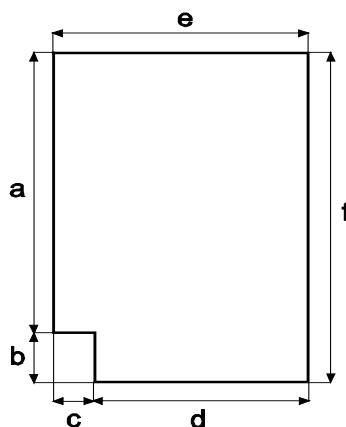
### Drawer Construction:

- Drawer design: Dovetail drawer
- Drawer sides:  $\frac{3}{4}$ " solid wood
- Drawer bottom:  $\frac{3}{8}$ " plywood with wood veneer
- Drawer glides: Steel undermount, full extension, soft-closing glides with clips

### Door Design:



### Base Side Panel Dimensions:



a	30"
b	$4\frac{1}{2}$ "
c	$2\frac{1}{2}$ "
d	21"
e	$23\frac{9}{16}$ "
f	$34\frac{1}{2}$ "

## Trenton Slab ( KTS )

### General Specifications:

- Material: Solid maple frame and door stiles, plywood cabinet box
- Paint: Ivory paint
- Interior: Natural Maple finish
- Door design: Full overlay
- Door panel: MDF recessed, square on both wall and base cabinets
- Drawer head design: One piece (Slab)
- Door reversibility: Doors on all single door cabinets can be reversed

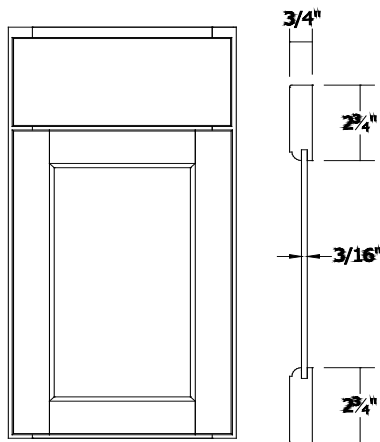
### Cabinet Specifications:

- Face frame:  $\frac{3}{4}$ " x  $1\frac{1}{2}$ " Mortise & Tenon
- Side panels:  $\frac{1}{2}$ " plywood with wood veneer on both sides
- Back panel:  $\frac{1}{2}$ " plywood with wood veneer on the inside
- Wall tops and bottoms:  $\frac{1}{2}$ " plywood with wood veneer on both sides
- Toe kick:  $\frac{1}{2}$ " x  $4\frac{1}{2}$ " Unfinished plywood, recessed
- Hinge: Soft closing concealed cup hinge with a 105 degree opening and 3-dimensional adjustment (side, depth and height adjustment)
- Shelves:  $\frac{3}{4}$ " thick plywood with wood veneer, edge banded front
- Shelf clips: Plastic, clear
- Door Bumpers: Clear Quietex bumpers
- Base cabinet height:  $34\frac{1}{2}$ "
- Base cabinet depth: 24"
- Wall cabinet depth: 12"

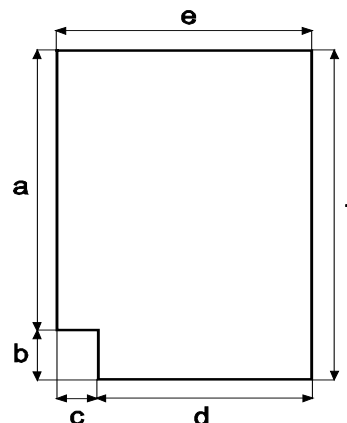
### Drawer Construction:

- Drawer design: Dovetail drawer
- Drawer sides:  $\frac{3}{4}$ " solid wood
- Drawer bottom:  $\frac{3}{8}$ " plywood with wood veneer
- Drawer glides: Steel undermount, full extension, soft-closing glides with clips

### Door Design:



### Base Side Panel Dimensions:



a	30"
b	$4\frac{1}{2}$ "
c	$2\frac{1}{2}$ "
d	21"
e	$23\frac{9}{16}$ "
f	$34\frac{1}{2}$ "

## Norwich Slab ( KNS )

### General Specifications:

- Material: Solid maple frame and door stiles, plywood cabinet box
- Stain: Light Gray paint
- Interior: Natural Maple finish
- Drawer head design: One piece (Slab)
- Door design: Full overlay
- Door panel: Recessed,  $\frac{3}{16}$ " MDF square on both wall and base cabinets
- Door reversibility: Doors on all single door cabinets can be reversed

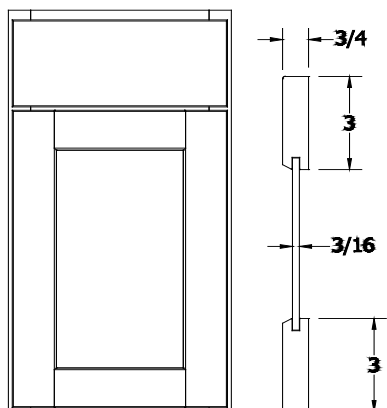
### Cabinet Specifications:

- Face frame:  $\frac{3}{4}$ " x  $1\frac{1}{2}$ " Mortise & Tenon
- Side panels:  $\frac{1}{2}$ " plywood with wood veneer on both sides
- Back panel:  $\frac{1}{2}$ " plywood with wood veneer on the inside
- Wall tops and bottoms:  $\frac{1}{2}$ " plywood with wood veneer on both sides
- Toe kick:  $\frac{1}{2}$ " x  $4\frac{1}{2}$ " Unfinished plywood, recessed
- Hinge: Soft closing concealed cup hinge with a 105 degree opening and 3-dimensional adjustment (side, depth and height adjustment)
- Shelves:  $\frac{3}{4}$ " thick plywood with wood veneer, edge banded front
- Shelf support: 8 mm bore steel shelf support
- Door Bumpers: Clear Quietex bumpers
- Base cabinet height:  $34\frac{1}{2}$ "
- Base cabinet depth: 24"
- Wall cabinet depth: 12"

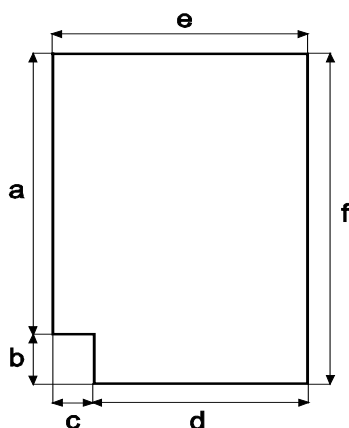
### Drawer Construction:

- Drawer design: Dovetail drawer
- Drawer sides:  $\frac{3}{4}$ " solid wood
- Drawer bottom:  $\frac{3}{8}$ " plywood with wood veneer
- Drawer glides: Steel undermount, full extension, soft-closing glides with clips

### Door Design:



### Base Side Panel Dimensions:



a	30"
b	$4\frac{1}{2}$ "
c	$2\frac{1}{2}$ "
d	21"
e	$23\frac{9}{16}$ "
f	$34\frac{1}{2}$ "



## Norwich Recessed ( KNR )

### General Specifications:

- Material: Solid maple frame and door stiles, plywood cabinet box
- Stain: Light Gray paint
- Interior: Natural Maple finish
- Drawer head design: 5 piece with recessed panel
- Door design: Full overlay
- Door panel: Recessed,  $\frac{3}{16}$ " MDF square on both wall and base cabinets
- Door reversibility: Doors on all single door cabinets can be reversed

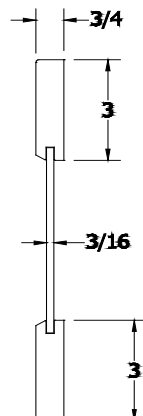
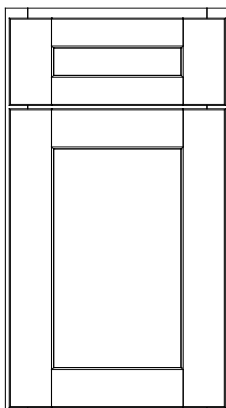
### Cabinet Specifications:

- Face frame:  $\frac{3}{4}$ " x  $1\frac{1}{2}$ " Mortise & Tenon
- Side panels:  $\frac{1}{2}$ " plywood with wood veneer on both sides
- Back panel:  $\frac{1}{2}$ " plywood with wood veneer on the inside
- Wall tops and bottoms:  $\frac{1}{2}$ " plywood with wood veneer on both sides
- Toe kick:  $\frac{1}{2}$ " x  $4\frac{1}{2}$ " Unfinished plywood, recessed
- Hinge: Soft closing concealed cup hinge with a 105 degree opening and 3-dimensional adjustment (side, depth and height adjustment)
- Shelves:  $\frac{3}{4}$ " thick plywood with wood veneer, edge banded front
- Shelf support: 8 mm bore steel shelf support
- Door Bumpers: Clear Quietex bumpers
- Base cabinet height:  $34\frac{1}{2}$ "
- Base cabinet depth: 24"
- Wall cabinet depth: 12"

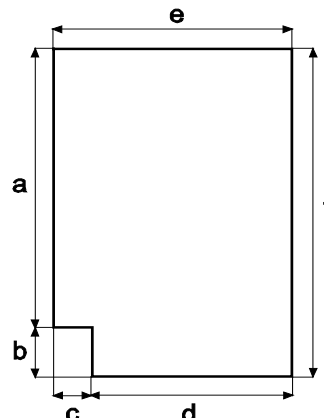
### Drawer Construction:

- Drawer design: Dovetail drawer
- Drawer sides:  $\frac{3}{4}$ " solid wood
- Drawer bottom:  $\frac{3}{8}$ " plywood with wood veneer
- Drawer glides: Steel undermount, full extension, soft-closing glides with clips

### Door Design:



### Base Side Panel Dimensions:



a	30"
b	$4\frac{1}{2}$ "
c	$2\frac{1}{2}$ "
d	21"
e	$23\frac{9}{16}$ "
f	$34\frac{1}{2}$ "

## Branford Slab ( KBS )

### General Specifications:

- Material: Solid maple frame and door stiles, plywood cabinet box
- Stain: Espresso stain
- Interior: Natural Maple finish
- Drawer head design: One piece (Slab)
- Door design: Full overlay
- Door panel: Reversed raised,  $\frac{3}{8}$ " MDF square on both wall and base cabinets
- Door reversibility: Doors on all single door cabinets can be reversed

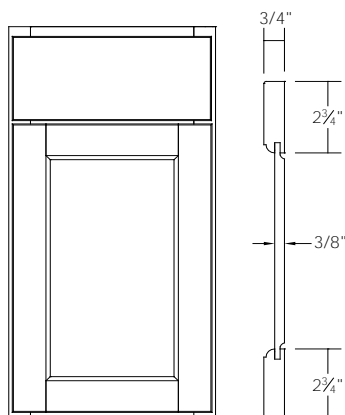
### Cabinet Specifications:

- Face frame:  $\frac{3}{4}$ " x  $1\frac{1}{2}$ " Mortise & Tenon
- Side panels:  $\frac{1}{2}$ " plywood with wood veneer on both sides
- Back panel:  $\frac{1}{2}$ " plywood with wood veneer on the inside
- Wall tops and bottoms:  $\frac{1}{2}$ " plywood with wood veneer on both sides
- Toe kick:  $\frac{1}{2}$ " x  $4\frac{1}{2}$ " Unfinished plywood, recessed
- Hinge: Soft closing concealed cup hinge with a 105 degree opening and 3-dimensional adjustment (side, depth and height adjustment)
- Shelves:  $\frac{3}{4}$ " thick plywood with wood veneer, edge banded front
- Shelf support: 8 mm bore steel shelf support
- Door Bumpers: Clear Quietex bumpers
- Base cabinet height:  $34\frac{1}{2}$ "
- Base cabinet depth: 24"
- Wall cabinet depth: 12"

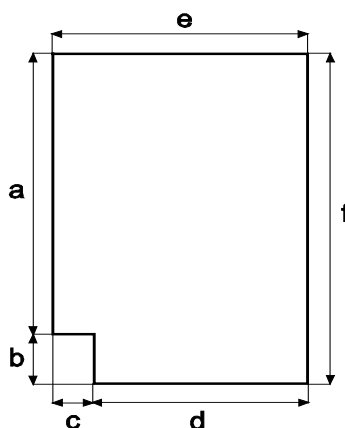
### Drawer Construction:

- Drawer design: Dovetail drawer
- Drawer sides:  $\frac{3}{4}$ " solid wood
- Drawer bottom:  $\frac{3}{8}$ " plywood with wood veneer
- Drawer glides: Steel undermount, full extension, soft-closing glides with clips

### Door Design:



### Base Side Panel Dimensions:



a	30"
b	$4\frac{1}{2}$ "
c	$2\frac{1}{2}$ "
d	21"
e	$23\frac{9}{16}$ "
f	$34\frac{1}{2}$ "

## Branford Recessed ( KBR )

### General Specifications:

- Material: Solid maple frame and door stiles, plywood cabinet box
- Stain: Espresso stain
- Interior: Natural Maple finish
- Drawer head design: 5 piece with recessed panel
- Door design: Full overlay
- Door panel: Reversed raised,  $\frac{3}{8}$ " MDF square on both wall and base cabinets
- Door reversibility: Doors on all single door cabinets can be reversed

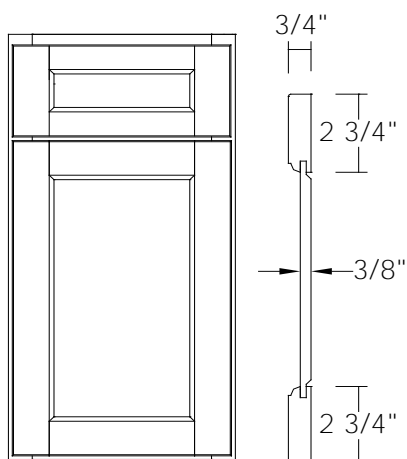
### Cabinet Specifications:

- Face frame:  $\frac{3}{4}$ " x  $1\frac{1}{2}$ " Mortise & Tenon
- Side panels:  $\frac{1}{2}$ " plywood with wood veneer on both sides
- Back panel:  $\frac{1}{2}$ " plywood with wood veneer on the inside
- Wall tops and bottoms:  $\frac{1}{2}$ " plywood with wood veneer on both sides
- Toe kick:  $\frac{1}{2}$ " x  $4\frac{1}{2}$ " Unfinished plywood, recessed
- Hinge: Soft closing concealed cup hinge with a 105 degree opening and 3-dimensional adjustment (side, depth and height adjustment)
- Shelves:  $\frac{3}{4}$ " thick plywood with wood veneer, edge banded front
- Shelf support: 8 mm bore steel shelf support
- Door Bumpers: Clear Quietex bumpers
- Base cabinet height:  $34\frac{1}{2}$ "
- Base cabinet depth: 24"
- Wall cabinet depth: 12"

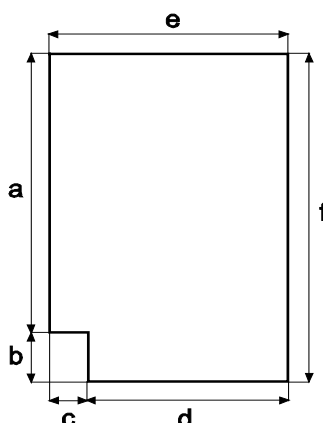
### Drawer Construction:

- Drawer design: Dovetail drawer
- Drawer sides:  $\frac{3}{4}$ " solid wood
- Drawer bottom:  $\frac{3}{8}$ " plywood with wood veneer
- Drawer glides: Steel undermount, full extension, soft-closing glides with clips

### Door Design:



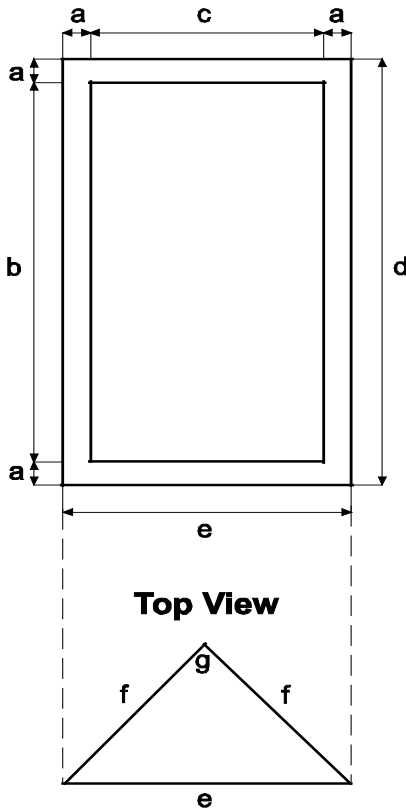
### Base Side Panel Dimensions:



a	30"
b	$4\frac{1}{2}$ "
c	$2\frac{1}{2}$ "
d	21"
e	$23\frac{9}{16}$ "
f	$34\frac{1}{2}$ "

## AW30 / AW36 / AW42

### Face Frame Specifications



		KD / KE / KB / KDC / KDL / KN / KT / KY
<b>ALL SIZES</b>	a	1 1/2"
	c	14"
	e	17"
	f	12"
	g	90 °
<b>AW30</b>	b	27"
	d	30"
<b>AW36</b>	b	33"
	d	36"
<b>AW42</b>	b	39"
	d	42"

### Parts Specifications

#### ALL SIZES

		KD / KE / KB / KDC / KDL / KN / KT / KY
Shelf Dimensions	13 3/4" W x 6 15/16" D	

#### AW30

Shelf Count	2	
Door Size	16 1/2"W x 28 3/4"H	

#### AW36

Shelf Count	2	
Door Size	16 1/2"W x 34 3/4"H	

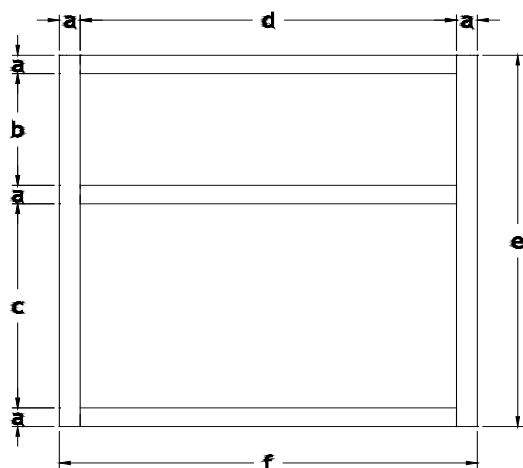
#### AW42

Shelf Count	3	
Door Size	16 1/2"W x 40 3/4"H	

- Comes already assembled
- Shelves are fixed, not adjustable

## MW3030B / MW3036B / MW3042B

### Face Frame Specifications



Cabinet is 18" deep

Sides are flush with frame

Comes with matching Interior

		KD / KE / KB / KDC / KDL / KN / KT / KY
<b>ALL SIZES</b>	a	1 1/2"
	c	16 1/2"
	d	27"
	f	30"
<b>MW3030B</b>	b	9"
	e	30"
<b>MW3036B</b>	b	15"
	e	36"
<b>MW3042B</b>	b	21"
	e	42"

### Parts Specifications

#### ALL SIZES

	KD / KE / KB / KDC / KDL / KN / KT / KY
Bottom and Top Panel	28 13/16"W x 16 13/16"D
Shelf Dimensions	28 5/16"W x 16 7/16"D

#### MW3030B

Door Size	14 11/16"W x 10 3/4"H
Shelf Count	N/A
Frame Opening	27"W x 16 1/2"H
Cabinet Inner Dimensions	28 1/2"W x 17 1/4"H x 16 3/4"D

#### MW3036B

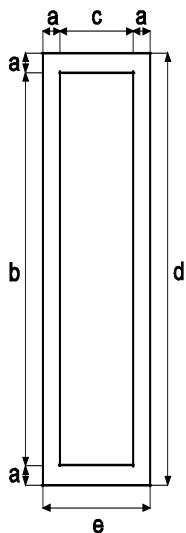
Door Size	14 11/16"W x 16 3/4"H
Shelf Count	N/A
Frame Opening	27"W x 16 1/2"H
Cabinet Inner Dimensions	28 1/2"W x 17 1/4"H x 16 3/4"D

#### MW3042B

Door Size	14 11/16"W x 22 3/4"H
Shelf	1
Frame Opening	27"W x 16 1/2"H
Cabinet Inner Dimensions	28 1/2"W x 17 1/4"H x 16 3/4"D

## W0930 / W0936 / W0942

### Face Frame Specifications



	KD / KE / KB / KDC / KDL / KN / KT / KY	
ALL SIZES	a	1 1/2"
	c	6"
	e	9"
W0930	b	27"
	d	30"
W0936	b	33"
	d	36"
W0942	b	39"
	d	42"

### Parts Specifications

#### ALL SIZES

	KD / KE / KB / KDC / KDL / KN / KT / KY
Bottom and Top Panel	7 13/16"W x 10 13/16"D
Shelf Dimensions	7 5/16"W x 10 7/16"H

#### W0930

Door Size	8 1/2"W x 28 3/4"H
Back Panel	7 7/8"W x 30"H
Shelf Count	2
Cabinet Inner Dimensions	7 1/2"W x 27 3/8"H x 10 11/16"D

#### W0936

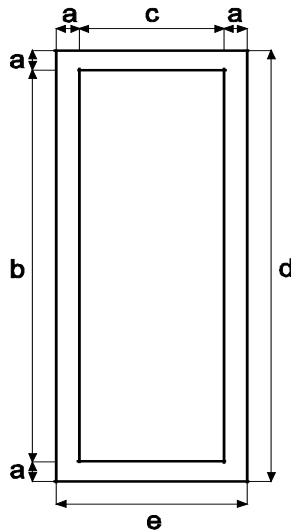
Door Size	8 1/2"W x 34 3/4"H
Back Panel	7 7/8"W x 36"H
Shelf Count	2
Cabinet Inner Dimensions	7 1/2"W x 33 3/8"H x 10 11/16"D

#### W0942

Door Size	8 1/2"W x 40 3/4"H
Back Panel	7 7/8"W x 42"H
Shelf Count	3
Cabinet Inner Dimensions	7 1/2"W x 39 3/8"H x 10 11/16"D

## W1230 / W1236 / W1242

### Face Frame Specifications



	KD / KE / KB / KDC / KDL / KN / KT / KY	
ALL SIZES	a	1 1/2"
	c	9"
	e	12"
W1230	b	27"
	d	30"
W1236	b	33"
	d	36"
W1242	b	39"
	d	42"

### Parts Specifications

#### ALL SIZES

	KD / KE / KB / KDC / KDL / KN / KT / KY
Bottom and Top Panel	10 13/16"W x 10 13/16"D
Shelf Dimensions	10 5/16"W x 10 7/16"D

#### W1230

Door Size	11 1/2"W x 28 3/4"H
Back Panel	10 7/8"W x 30"H
Shelf Count	2
Cabinet Inner Dimensions	10 1/2"W x 27 3/8"H x 10 11/16"D

#### W1236

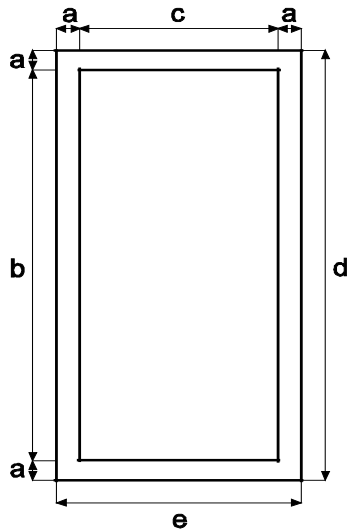
Door Size	11 1/2"W x 34 3/4"H
Back Panel	10 7/8"W x 36"H
Shelf Count	2
Cabinet Inner Dimensions	10 1/2"W x 33 3/8"H x 10 11/16"D

#### W1242

Door Size	11 1/2"W x 40 3/4"H
Back Panel	10 7/8"W x 42"H
Shelf Count	3
Cabinet Inner Dimensions	10 1/2"W x 39 3/8"H x 10 11/16"D

## W1530 / W1536 / W1542

### Face Frame Specifications



	KD / KE / KB / KDC / KDL / KN / KT / KY	
<b>ALL SIZES</b>	a	1 1/2"
	c	12"
	e	15"
<b>W1530</b>	b	27"
	d	30"
<b>W1536</b>	b	33"
	d	36"
<b>W1542</b>	b	39"
	d	42"

### Parts Specifications

#### ALL SIZES

	KD / KE / KB / KDC / KDL / KN / KT / KY
Bottom and Top Panel	13 13/16"W x 10 13/16"D
Shelf Dimensions	13 5/16"W x 10 7/16"D

#### W1530

Door Size	14 1/2"W x 28 3/4"H
Back Panel	13 7/8"W x 30"H
Shelf Count	2
Cabinet Inner Dimensions	13 1/2"W x 27 3/8"H x 10 11/16"D

#### W1536

Door Size	14 1/2"W x 34 3/4"H
Back Panel	13 7/8"W x 36"H
Shelf Count	2
Cabinet Inner Dimensions	13 1/2"W x 33 3/8"H x 10 11/16"D

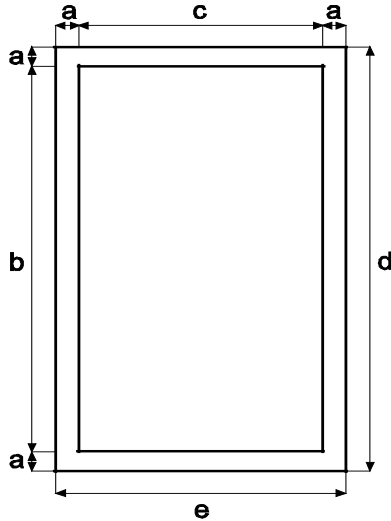
#### W1542

Door Size	14 1/2"W x 40 3/4"H
Back Panel	13 7/8"W x 42"H
Shelf Count	3
Cabinet Inner Dimensions	13 1/2"W x 39 3/8"H x 10 11/16"D



## W1830 / W1836 / W1842

### Face Frame Specifications



	KD / KE / KB / KDC / KDL / KN / KT / KY	
<b>ALL SIZES</b>	a	1 1/2"
	c	15"
	e	18"
<b>W1830</b>	b	27"
	d	30"
<b>W1836</b>	b	33"
	d	36"
<b>W1842</b>	b	39"
	d	42"

### Parts Specifications

#### ALL SIZES

	KD / KE / KB / KDC / KDL / KN / KT / KY
Bottom and Top Panel	16 13/16"W x 10 13/16"D
Shelf Dimensions	16 5/16"W x 10 7/16"D

#### W1830

Door Size	17 1/2"W x 28 3/4"H
Back Panel	16 7/8"W x 30"H
Shelf Count	2
Cabinet Inner Dimensions	16 1/2"W x 27 3/8"H x 10 11/16"D

#### W1836

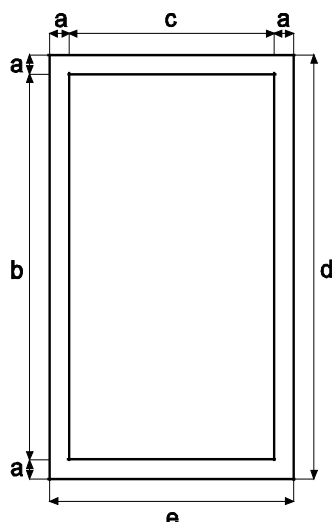
Door Size	17 1/2"W x 34 3/4"H
Back Panel	16 7/8"W x 36"H
Shelf Count	2
Cabinet Inner Dimensions	16 1/2"W x 33 3/8"H x 10 11/16"D

#### W1842

Door Size	17 1/2"W x 40 3/4"H
Back Panel	16 7/8"W x 42"H
Shelf Count	3
Cabinet Inner Dimensions	16 1/2"W x 39 3/8"H x 10 11/16"D

## W2130 / W2136 / W2142

### *Face Frame Specifications*



		KD / KE / KB / KDC / KDL / KN / KT / KY
<b>ALL SIZES</b>	a	1 1/2"
	c	18"
	e	21"
<b>W2130</b>	b	27"
	d	30"
<b>W2136</b>	b	33"
	d	36"
<b>W2142</b>	b	39"
	d	42"

### *Parts Specifications*

#### ALL SIZES

		KD / KE / KB / KDC / KDL / KN / KT / KY
Bottom and Top Panel		19 13/16"W x 10 13/16"D
Shelf Dimensions		19 5/16"W x 10 7/16"D

#### W2130

Door Size		20 1/2"W x 28 3/4"H
Back Panel		19 7/8"W x 30"H
Shelf Count		2
Cabinet Inner Dimensions		19 1/2"W x 27 3/8"H x 10 11/16"D

#### W2136

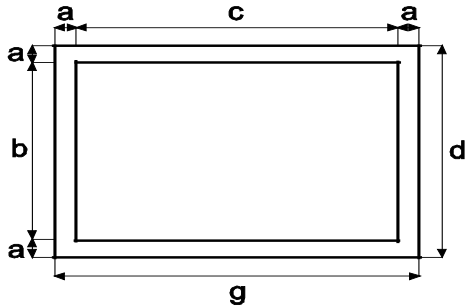
Door Size		20 1/2"W x 34 3/4"H
Back Panel		19 7/8"W x 36"H
Shelf Count		2
Cabinet Inner Dimensions		19 1/2"W x 33 3/8"H x 10 11/16"D

#### W2142

Door Size		20 1/2"W x 40 3/4"H
Back Panel		19 7/8"W x 42"H
Shelf Count		3
Cabinet Inner Dimensions		19 1/2"W x 39 3/8"H x 10 11/16"D

## W2415B

### Face Frame Specifications



W2415B

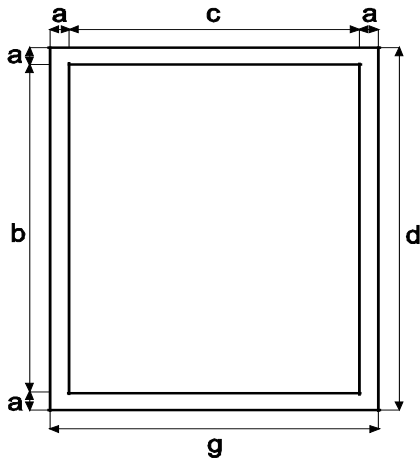
	KD / KE / KB / KDC / KDL / KN / KT / KY
a	1 1/2"
b	12"
c	21"
g	24"
d	15"

### Parts Specifications

W2415B	KD / KE / KB / KDC / KDL / KN / KT / KY
Door Size	11 11/16" W x 13 3/4" H
Bottom and Top Panel	22 13/16" W x 10 13/16" D
Back Panel	22 7/8" W x 15" H
Shelf Count	0
Cabinet Inner Dimensions	22 1/2" W x 12 3/8" H x 10 11/16" D

## W2430B / W2436B / W2442B

### Face Frame Specifications



#### ALL SIZES

KD / KE / KB / KDC / KDL / KN / KT / KY	
a	1 1/2"
c	21"
g	24"

#### W2430B

b	27"
d	30"

#### W2436B

b	33"
d	36"

#### W2442B

b	39"
d	42"

### Parts Specifications

#### ALL SIZES

KD / KE / KB / KDC / KDL / KN / KT / KY	
Bottom and Top Panel	$22 \frac{13}{16}$ "W x $10 \frac{13}{16}$ "D
Shelf Dimensions	$22 \frac{5}{16}$ "W x $10 \frac{7}{16}$ "H

#### W2430B

Door Size	$11 \frac{11}{16}$ "W x $28 \frac{3}{4}$ "H
Back Panel	$22 \frac{7}{8}$ "W x 30"H
Shelf Count	2
Cabinet Inner Dimensions	$22 \frac{1}{2}$ "W x $27 \frac{3}{8}$ "H x $10 \frac{11}{16}$ "D

#### W2436B

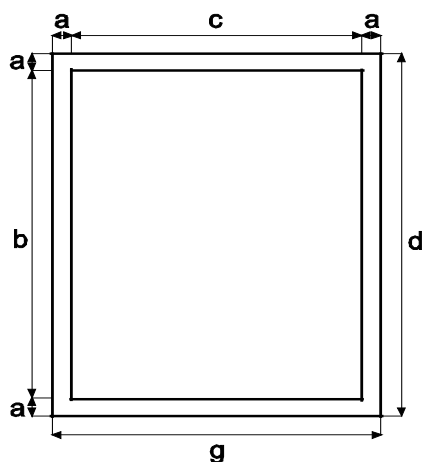
Door Size	$11 \frac{11}{16}$ "W x $34 \frac{3}{4}$ "H
Back Panel	$22 \frac{7}{8}$ "W x 36"H
Shelf Count	2
Cabinet Inner Dimensions	$22 \frac{1}{2}$ "W x $33 \frac{3}{8}$ "H x $10 \frac{11}{16}$ "D

#### W2442B

Door Size	$11 \frac{11}{16}$ "W x $40 \frac{3}{4}$ "H
Back Panel	$22 \frac{7}{8}$ "W x 42"H
Shelf Count	3
Cabinet Inner Dimensions	$22 \frac{1}{2}$ "W x $39 \frac{3}{8}$ "H x $10 \frac{11}{16}$ "D

## W2730B / W2736B / W2742B

### Face Frame Specifications



#### ALL SIZES

	KD / KE / KB / KDC / KDL / KN / KT / KY
a	1 1/2"
c	24"
g	27"

#### W2730B

b	27"
d	30"

#### W2736B

b	33"
d	36"

#### W2742B

b	39"
d	42"

### Parts Specifications

#### ALL SIZES

	KD / KE / KB / KDC / KDL / KN / KT / KY
Bottom and Top Panel	25 13/16"W x 10 13/16"D
Shelf Dimensions	25 5/16"W x 10 7/16"H

#### W2730B

Door Size	13 3/16"W x 28 3/4"H
Back Panel	25 7/8"W x 30"H
Shelf Count	2
Cabinet Inner Dimensions	25 1/2"W x 27 3/8"H x 10 11/16"D

#### W2736B

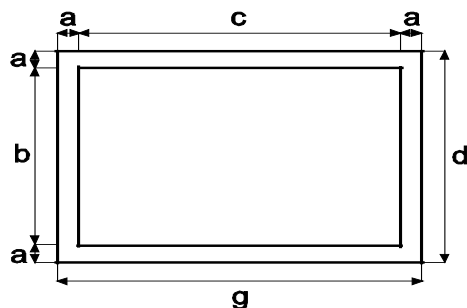
Door Size	13 3/16"W x 34 3/4"H
Back Panel	25 7/8"W x 36"H
Shelf Count	2
Cabinet Inner Dimensions	25 1/2"W x 33 3/8"H x 10 11/16"D

#### W2742B

Door Size	13 3/16"W x 40 3/4"H
Back Panel	25 7/8"W x 42"H
Shelf Count	3
Cabinet Inner Dimensions	25 1/2"W x 39 3/8"H x 10 11/16"D

## W3012B / W3015B / W3018B

### Face Frame Specifications



		KD / KE / KB / KDC / KDL / KN / KT / KY
<b>ALL SIZES</b>	a	1 1/2"
	c	27"
	g	30"
<b>W3012B</b>	b	9"
	d	12"
<b>W3015B</b>	b	12"
	d	15"
<b>W3018B</b>	b	15"
	d	18"

### Parts Specifications

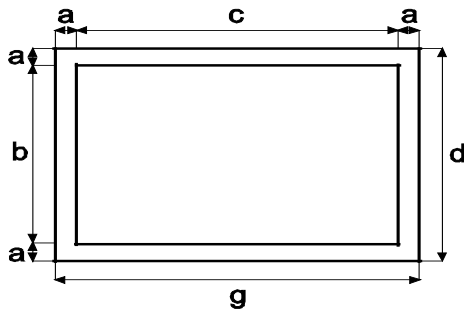
<b>W3012B</b>	KD / KE / KB / KDC / KDL / KN / KT / KY
Door Size	14 11/16" W x 10 3/4" H
Bottom and Top Panel	28 13/16" W x 10 13/16" D
Back Panel	28 7/8" W x 12" H
Cabinet Inner Dimensions	28 1/2" W x 9 3/8" H x 10 11/16" D

<b>W3015B</b>	
Door Size	14 11/16" W x 13 3/4" H
Bottom and Top Panel	28 13/16" W x 10 13/16" D
Back Panel	28 7/8" W x 15" H
Cabinet Inner Dimensions	28 1/2" W x 12 3/8" H x 10 11/16" D

<b>W3018B</b>	
Door Size	14 11/16" W x 16 3/4" H
Bottom and Top Panel	28 13/16" W x 10 13/16" D
Back Panel	28 7/8" W x 18" H
Cabinet Inner Dimensions	28 1/2" W x 15 3/8" H x 10 11/16" D

## W3024B

### *Face Frame Specifications*



W3024B

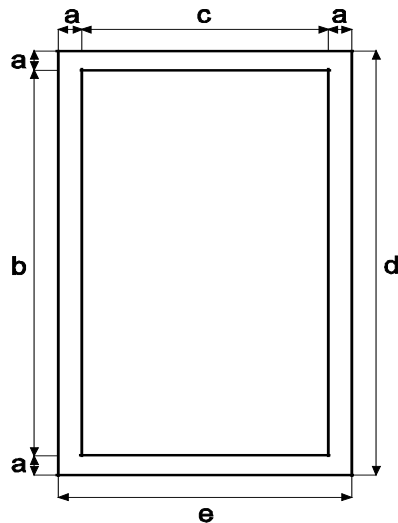
	KD / KE / KB / KDC / KDL / KN / KT / KY
a	1 1/2"
b	21 "
c	27"
d	24 "
g	30"

### *Parts Specifications*

W3024B	KD / KE / KB / KDC / KDL / KN / KT / KY
Door Size	14 11/16" W x 22 3/4" H
Bottom and Top Panel	28 13/16" W x 10 13/16" D
Shelf Dimensions	28 5/16" W x 10 7/16" H
Shelf Count	1
Back Panel	28 7/8" W x 24" H
Cabinet Inner Dimensions	28 1/2" W x 21 3/8" H x 10 11/16" D

## W3030B / W3036B / W3042B

### Face Frame Specifications



	KD / KE / KB / KDC / KDL / KN / KT / KY	
<b>ALL SIZES</b>	a	1 1/2"
	c	27"
	e	30"
<b>W3030B</b>	b	27"
	d	30"
<b>W3036B</b>	b	33"
	d	36"
<b>W3042B</b>	b	39"
	d	42"

### Parts Specifications

#### ALL SIZES

	KD / KE / KB / KDC / KDL / KN / KT / KY
Bottom and Top Panel	28 13/16"W x 10 13/16"D
Shelf Dimensions	28 5/16"W x 10 7/16"D

#### W3030B

Door Size	14 11/16"W x 28 3/4"H
Back Panel	28 7/8"W x 30"H
Shelf Count	2
Cabinet Inner Dimensions	28 1/2"W x 27 3/8"H x 10 11/16"D

#### W3036B

Door Size	14 11/16"W x 34 3/4"H
Back Panel	28 7/8"W x 36"H
Shelf Count	2
Cabinet Inner Dimensions	28 1/2"W x 33 3/8"H x 10 11/16"D

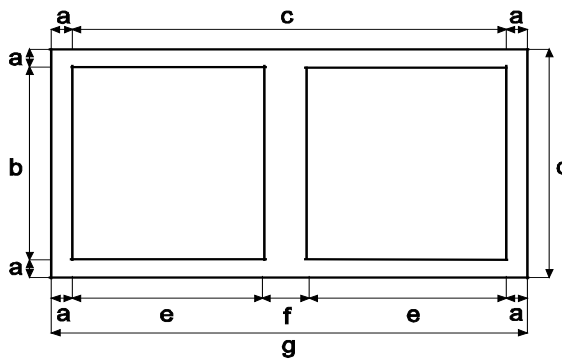
#### W3042B

Door Size	14 11/16"W x 40 3/4"H
Back Panel	28 7/8"W x 42"H
Shelf Count	3
Cabinet Inner Dimensions	28 1/2"W x 39 3/8"H x 10 11/16"D



## W3315 / W3318

### Face Frame Specifications



	KD / KE / KB / KDC / KDL / KN / KT / KY	
<b>ALL SIZES</b>	a	1 1/2"
	c	30"
	e	13 1/2"
	f	3"
	g	33"
<b>W3315</b>	b	12"
	d	15"
<b>W3318</b>	b	15"
	d	18"

### Parts Specifications

<b>W3315</b>	KD / KE / KB / KDC / KDL / KN / KT / KY
Door Size	16"W x 13 3/4"H
Bottom and Top Panel	31 13/16"W x 10 13/16"D
Back Panel	31 7/8"W x 15"H
Cabinet Inner Dimensions	31 1/2"W x 12 3/8"H x 10 11/16"D

<b>W3318</b>	
Door Size	16"W x 16 3/4"H
Bottom and Top Panel	31 13/16"W x 10 13/16"D
Back Panel	31 7/8"W x 18"H
Cabinet Inner Dimensions	31 1/2"W x 15 3/8"H x 10 11/16"D

## W3330 / W3336 / W3342

### Face Frame Specifications

	<b>ALL SIZES</b>	<b>KD / KE / KB / KDC / KDL / KN / KT / KY</b>	
	a	1 1/2"	
	c	30"	
	e	13 1/2"	
	f	3"	
	g	33"	
	<b>W3330</b>	b	27"
		d	30"
	<b>W3336</b>	b	33"
		d	36"
	<b>W3342</b>	b	39"
		d	42"

### Parts Specifications

#### ALL SIZES

	KD / KE / KB / KDC / KDL / KN / KT / KY
Bottom and Top Panel	31 13/16" W x 10 13/16" D
Shelf Dimensions	31 5/16" W x 10 7/16" D

#### W3330

Door Size	16" W x 28 3/4" H
Back Panel	31 7/8" W x 30" H
Shelf Count	2
Cabinet Inner Dimensions	31 1/2" W x 27 3/8" H x 10 11/16" D

#### W3336

Door Size	16" W x 34 3/4" H
Back Panel	31 7/8" W x 36" H
Shelf Count	2
Cabinet Inner Dimensions	31 1/2" W x 33 3/8" H x 10 11/16" D

#### W3342

Door Size	16" W x 40 3/4" H
Back Panel	31 7/8" W x 42" H
Shelf Count	3
Cabinet Inner Dimensions	31 1/2" W x 39 3/8" H x 10 11/16" D

## W3612 / W3615 / W3618

### Face Frame Specifications

	KD / KE / KB / KDC / KDL / KN / KT / KY	
<b>ALL SIZES</b>	a	1 1/2"
	c	33"
	e	15"
	f	3"
	g	36"
<b>W3612</b>	b	9"
	d	12"
<b>W3615</b>	b	12"
	d	15"
<b>W3618</b>	b	15"
	d	18"

### Parts Specifications

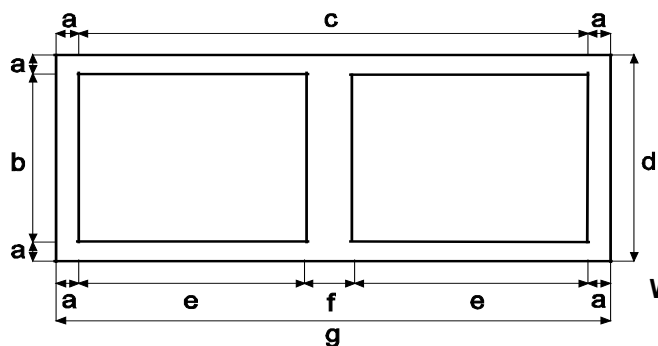
<b>W3612</b>	KD / KE / KB / KDC / KDL / KN / KT / KY
Door Size	17 1/2" W x 10 3/4" H
Bottom and Top Panel	34 13/16" W x 10 13/16" D
Back Panel	34 7/8" W x 12" H
Cabinet Inner Dimensions	34 1/2" W x 9 3/8" H x 10 11/16" D

<b>W3615</b>	
Door Size	17 1/2" W x 13 3/4" H
Bottom and Top Panel	34 13/16" W x 10 13/16" D
Back Panel	34 7/8" W x 15" H
Cabinet Inner Dimensions	34 1/2" W x 12 3/8" H x 10 11/16" D

<b>W3618</b>	
Door Size	17 1/2" W x 16 3/4" H
Bottom and Top Panel	34 13/16" W x 10 13/16" D
Back Panel	34 7/8" W x 18" H
Cabinet Inner Dimensions	34 1/2" W x 15 3/8" H x 10 11/16" D

## W361224 / W361524 / W361824

### Face Frame Specifications



ALL  
SIZES

	KD / KE / KB / KDC / KDL / KN / KT / KY
a	1 1/2"
c	33"
e	15"
f	3"
g	36"

W361224

b	9"
d	12"

W361524

b	12"
d	15"

W361824

b	15"
d	18"

- Cabinet depth is 24"

### Parts Specifications

W361224

	KD / KE / KB / KDC / KDL / KN / KT / KY
Door Size	17 1/2" W x 10 3/4" H
Bottom and Top Panel	34 13/16" W x 22 13/16" D
Back Panel	34 7/8" W x 12" H
Cabinet Inner Dimensions	34 1/2" W x 9 3/8" H x 22 11/16" D

W361524

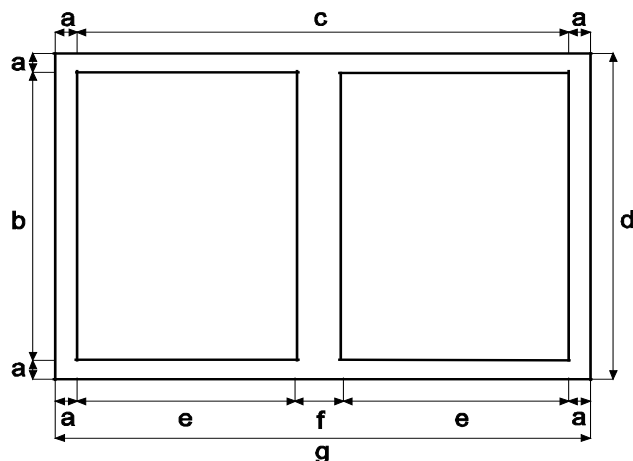
Door Size	17 1/2" W x 13 3/4" H
Bottom and Top Panel	34 13/16" W x 22 13/16" D
Back Panel	34 7/8" W x 15" H
Cabinet Inner Dimensions	34 1/2" W x 12 3/8" H x 22 11/16" D

W361824

Door Size	17 1/2" W x 16 3/4" H
Bottom and Top Panel	34 13/16" W x 22 13/16" D
Back Panel	34 7/8" W x 18" H
Cabinet Inner Dimensions	34 1/2" W x 15 3/8" H x 22 11/16" D

## W3624 / W362424

### Face Frame Specifications



W3624  
&  
W362424

	KD / KE / KB / KDC / KDL / KN / KT / KY
a	1 1/2"
b	21"
c	33"
d	24"
e	15"
f	3"
g	36"

### Parts Specifications

W3624	KD / KE / KB / KDC / KDL / KN / KT / KY
Door Size	17 1/2"W x 22 3/4"H
Bottom and Top Panel	34 13/16"W x 10 13/16"D
Shelf Dimensions	34 5/16"W x 10 7/16"H
Shelf Count	1
Back Panel	34 7/8"W x 24"H
Cabinet Inner Dimensions	34 1/2"W x 21 3/8"H x 10 11/16"D

W362424	
Door Size	17 1/2"W x 22 3/4"H
Bottom and Top Panel	34 13/16"W x 22 13/16"D
Shelf Dimensions	34 5/16"W x 22 7/16"H
Shelf Count	1
Back Panel	34 7/8"W x 24"H
Cabinet Inner Dimensions	34 1/2"W x 21 3/8"H x 22 11/16"D

- W362424 is 24" deep

## W3630 / W3636 / W3642

### *Face Frame Specifications*

		KD / KE / KB / KDC / KDL / KN / KT / KY
<b>ALL SIZES</b>	a	1 1/2"
	c	33"
	e	15"
	f	3"
	g	36"
<b>W3630</b>	b	27"
	d	30"
<b>W3636</b>	b	33"
	d	36"
<b>W3642</b>	b	39"
	d	42"

### *Parts Specifications*

#### ALL SIZES

		KD / KE / KB / KDC / KDL / KN / KT / KY
Bottom and Top Panel	34 13/16" W x 10 13/16" D	
Shelf Dimensions	34 5/16" W x 10 7/16" D	

#### W3630

Door Size	17 1/2" W x 28 3/4" H	
Back Panel	34 7/8" W x 30" H	
Shelf Count	2	
Cabinet Inner Dimensions	34 1/2" W x 27 3/8" H x 10 11/16" D	

#### W3636

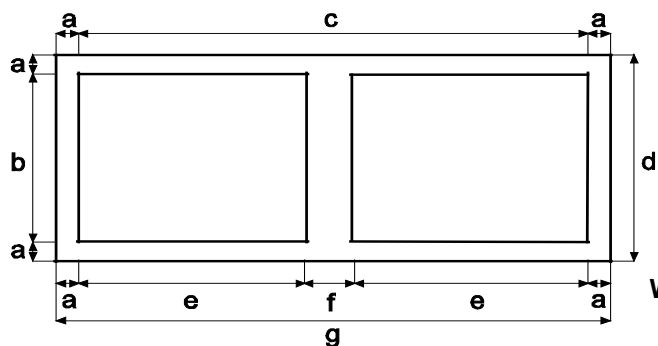
Door Size	17 1/2" W x 34 3/4" H	
Back Panel	34 7/8" W x 36" H	
Shelf Count	2	
Cabinet Inner Dimensions	34 1/2" W x 33 3/8" H x 10 11/16" D	

#### W3642

Door Size	17 1/2" W x 40 3/4" H	
Back Panel	34 7/8" W x 42" H	
Shelf Count	3	
Cabinet Inner Dimensions	34 1/2" W x 39 3/8" H x 10 11/16" D	

## W391224 / W391524 / W391824

### Face Frame Specifications



	KD / KE / KB / KDC / KDL / KN / KT / KY
<b>ALL SIZES</b> a	1 1/2"
c	36"
e	16 1/2"
f	3"
g	36"

<b>W391224</b> b	9"
d	12"

<b>W391524</b> b	12"
d	15"

<b>W391824</b> b	15"
d	18"

- Cabinet depth is 24"

### Parts Specifications

<b>W391224</b>	KD / KE / KB / KDC / KDL / KN / KT / KY
Door Size	19"W x 10 3/4"H
Bottom and Top Panel	37 13/16"W x 22 13/16"D
Back Panel	37 7/8"W x 12"H
Cabinet Inner Dimensions	37 1/2"W x 9 3/8"H x 22 11/16"D

<b>W391524</b>	
Door Size	19"W x 13 3/4"H
Bottom and Top Panel	37 13/16"W x 22 13/16"D
Back Panel	37 7/8"W x 15"H
Cabinet Inner Dimensions	37 1/2"W x 12 3/8"H x 22 11/16"D

<b>W391824</b>	
Door Size	19"W x 16 3/4"H
Bottom and Top Panel	37 13/16"W x 22 13/16"D
Back Panel	37 7/8"W x 18"H
Cabinet Inner Dimensions	37 1/2"W x 15 3/8"H x 22 11/16"D

## W4230 / W4236 / W4242

### Face Frame Specifications

	<b>ALL SIZES</b>	KD / KE / KB / KDC / KDL / KN / KT / KY	
	a	1 1/2"	
	c	39"	
	e	18"	
	f	3"	
	g	42"	
	<b>W4230</b>	b	27"
	d	30"	
	<b>W4236</b>	b	33"
	d	36"	
	<b>W4242</b>	b	39"
	d	42"	

### Parts Specifications

#### ALL SIZES

	KD / KE / KB / KDC / KDL / KN / KT / KY
Bottom and Top Panel	40 13/16" W x 10 13/16" D
Shelf Dimensions	40 5/16" W x 10 7/16" D

#### W4230

Door Size	20 1/2" W x 28 3/4" H
Back Panel	40 7/8" W x 30" H
Shelf Count	2
Cabinet Inner Dimensions	40 1/2" W x 27 3/8" H x 10 11/16" D

#### W4236

Door Size	20 1/2" W x 34 3/4" H
Back Panel	40 7/8" W x 36" H
Shelf Count	2
Cabinet Inner Dimensions	40 1/2" W x 33 3/8" H x 10 11/16" D

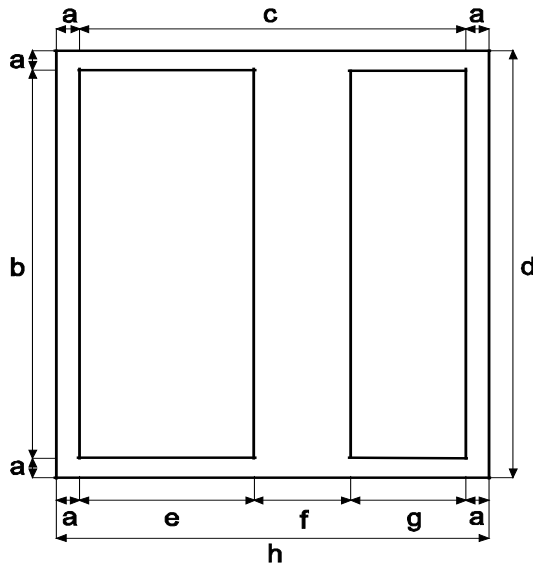
#### W4242

Door Size	20 1/2" W x 40 3/4" H
Back Panel	40 7/8" W x 42" H
Shelf Count	3
Cabinet Inner Dimensions	40 1/2" W x 39 3/8" H x 10 11/16" D



## WBC2730

### Face Frame Specifications



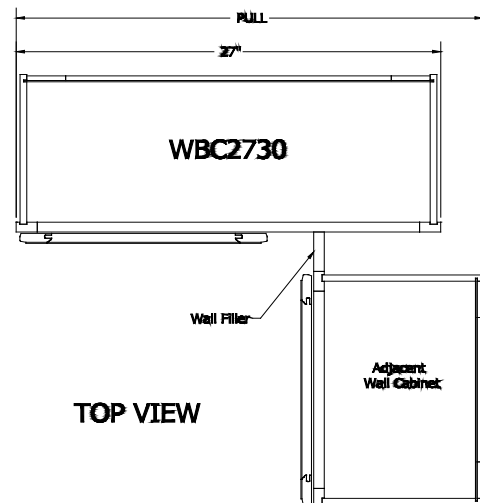
	KD / KE / KB / KDC / KDL / KN / KT / KY
a	1 1/2"
b	27"
c	24"
d	30"
e	12"
f	6"
g	6"
h	27"

### Parts Specifications

	KD / KE / KB / KDC / KDL / KN / KT / KY
Door Size	14 1/2"W x 28 3/4"H
Bottom and Top Panel	25 13/16"W x 10 13/16"D
Back Panel	25 7/8"W x 30"H
Shelf Count	2
Shelf Dimensions	25 5/16"W x 10 7/16"H
Cabinet Inner Dimensions	25 1/2"W x 27 3/8"H x 10 11/16"D

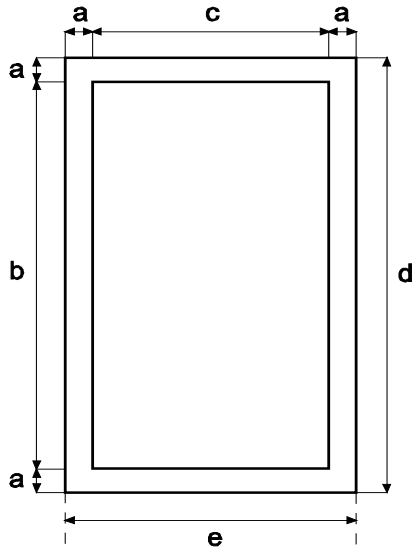
### Installation Information

- Recommended Pull: 27" - 30"
- Maximum Pull: 31"
  
- Full overlay with hardware: use recommended pull.
  
- 3" filler is sold separately (WF3).
- Cabinet is reversible, to make the unit a left/right blind.



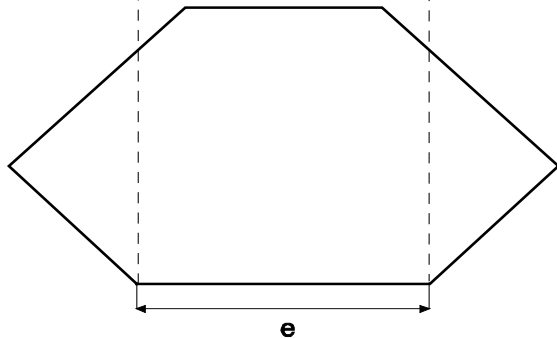
## WDC2430

### Face Frame Specifications

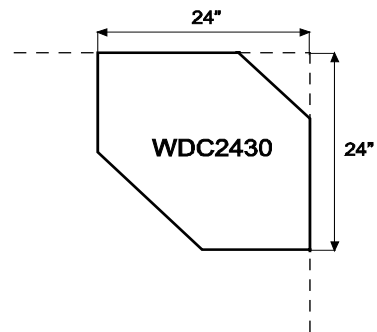


	KD / KE / KB / KDC / KDL / KN / KT / KY
a	1 1/2"
b	27"
c	14"
d	30"
e	17"

**Top View**



### Installation Information



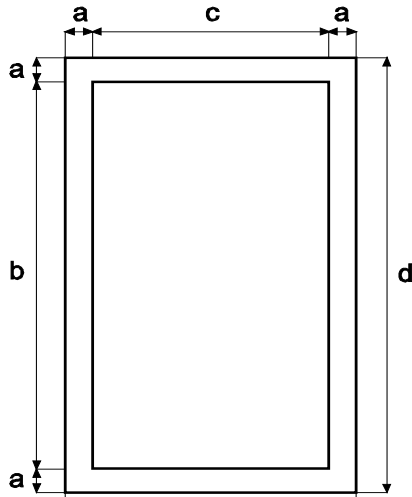
- WDC2430 cabinets require 24" room from the corner in each direction for installation

### Parts Specifications

	KD / KE / KB / KDC / KDL / KN / KT / KY
Door Size	15"W x 28 3/4"H
Front Side Panel	11 3/8"W x 30"H
Back Side Panel	14 3/4"W x 30"H
Back Panel	12 15/16"W x 30"H
Shelf Count	2

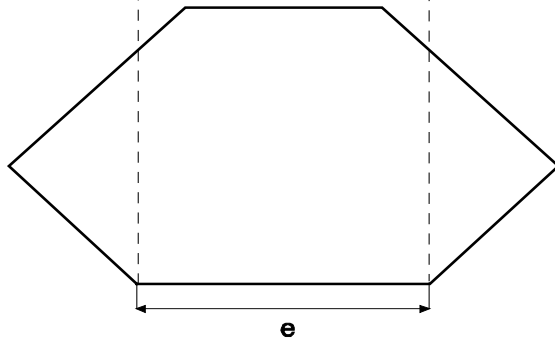
## WDC2436

### *Face Frame Specifications*

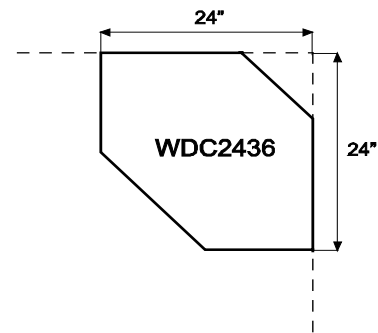


	KD / KE / KB / KDC / KDL / KN / KT / KY
a	1 1/2"
b	33"
c	14"
d	36"
e	17"

**Top View**



### *Installation Information*



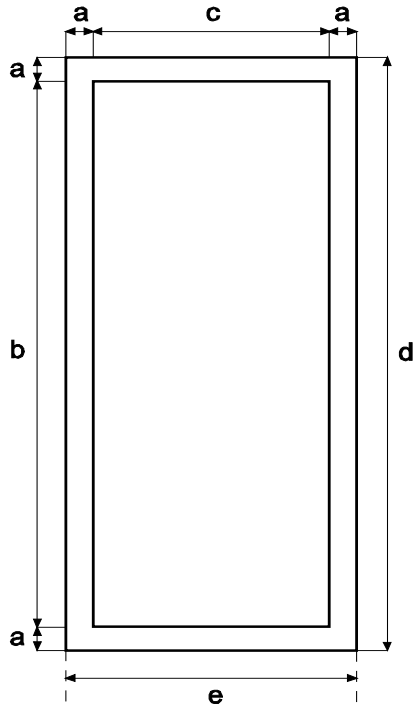
- WDC2436 cabinets require 24" room from the corner in each direction for installation

### *Parts Specifications*

	KD / KE / KB / KDC / KDL / KN / KT / KY
Door Size	15"W x 34 3/4"H
Front Side Panel	11 3/8"W x 36"H
Back Side Panel	14 3/4"W x 36"H
Back Panel	12 15/16"W x 36"H
Shelf Count	2

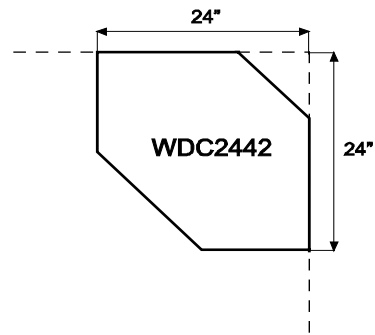
## WDC2442

### Face Frame Specifications



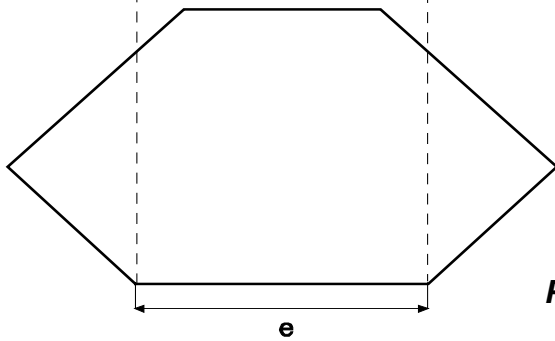
	KD / KE / KB / KDC / KDL / KN / KT / KY
a	1 1/2"
b	39"
c	14"
d	42"
e	17"

### Installation Information



- WDC2442 cabinets require 24" room from the corner in each direction for installation

**Top View**

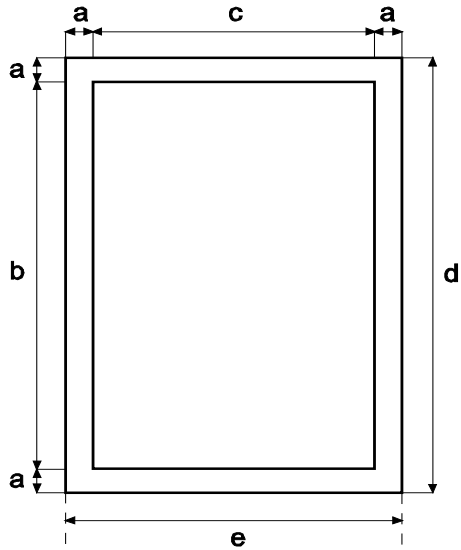


### Parts Specifications

	KD / KE / KB / KDC / KDL / KN / KT / KY
Door Size	15"W x 40 3/4"H
Front Side Panel	11 3/8"W x 42"H
Back Side Panel	14 3/4"W x 42"H
Back Panel	12 15/16"W x 42"H
Shelf Count	3

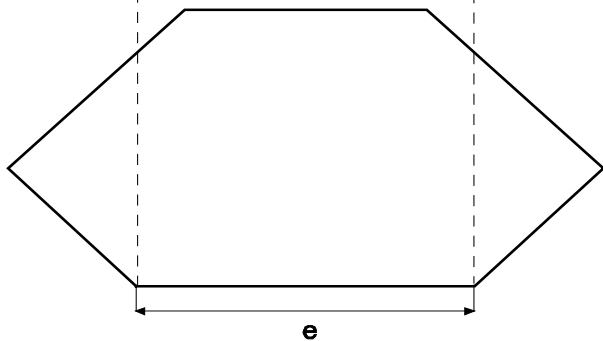
## WDC2736

### Face Frame Specifications

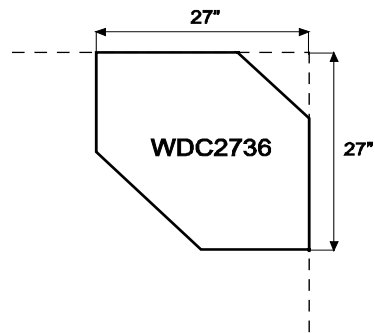


	KD / KE / KB / KDC / KDL / KN / KT / KY
a	1 1/2"
b	33"
c	14"
d	36"
e	17"

**Top View**



### Installation Information



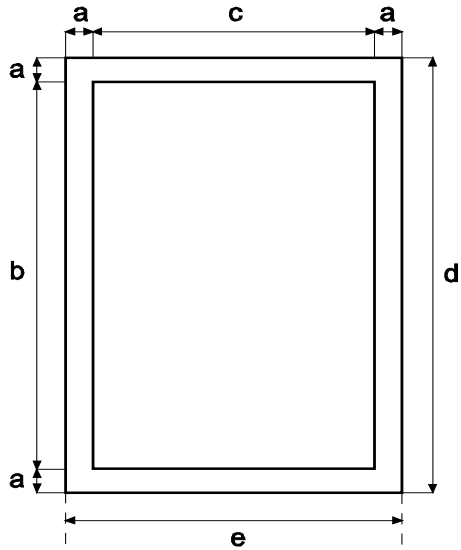
- WDC2736 cabinets require 27" room from the corner in each direction for installation

### Parts Specifications

	KD / KE / KB / KDC / KDL / KN / KT / KY
Door Size	15"W x 34 3/4"H
Front Side Panel	14 3/8"W x 36"H
Back Side Panel	18 1/16"W x 36"H
Back Panel	12 13/16"W x 36"H
Shelf Count	2

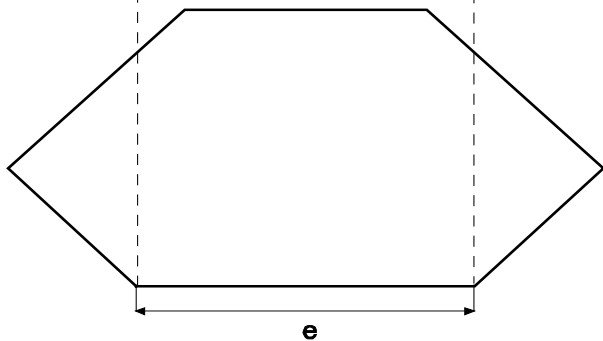
## WDC2742

### Face Frame Specifications

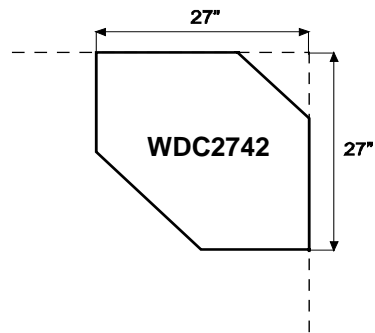


	KD / KE / KB / KDC / KDL / KN / KT / KY
a	1 1/2"
b	39"
c	47"
d	42"
e	17"

**Top View**



### Installation Information

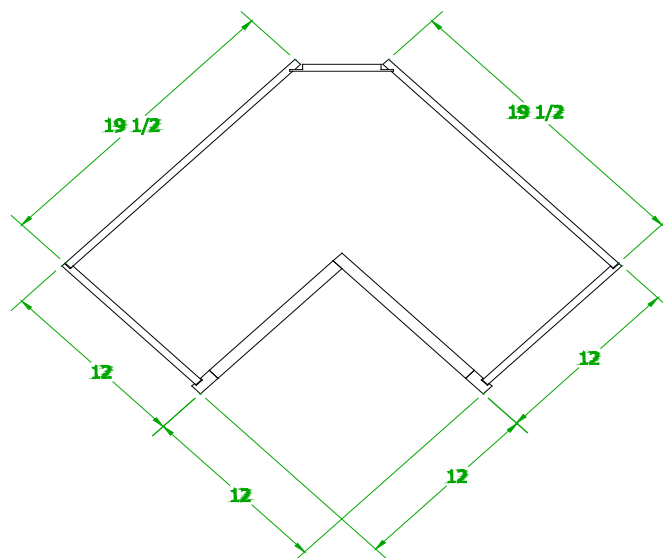
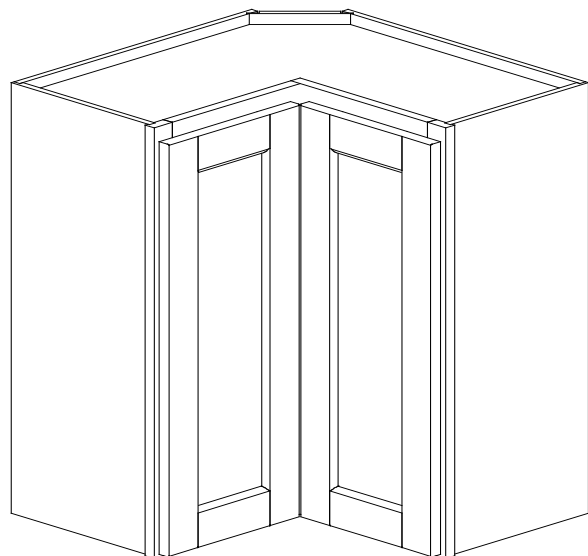


- WDC2742 cabinets require 27" room from the corner in each direction for installation

### Parts Specifications

	KD / KE / KB / KDC / KDL / KN / KT / KY
Door Size	15"W x 40 3/4"H
Front Side Panel	14 3/8"W x 42"H
Back Side Panel	18 1/16"W x 42"H
Back Panel	12 13/16"W x 42"H
Shelf Count	3

## SCW2430 / SCW2436 / SCW2442



- SCW24\*\* cabinets require 24" room from the corner in each direction for installation

### **Parts Specifications**

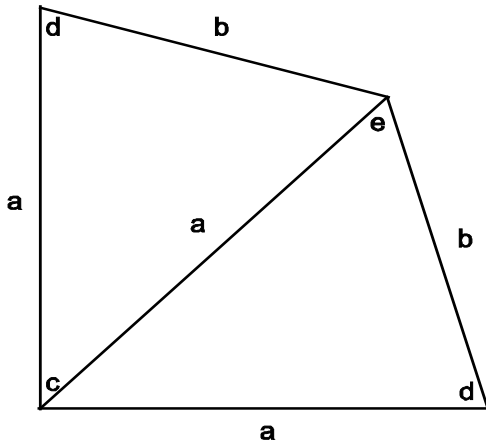
<b>SCW2430</b>	KD / KE / KB / KDC / KDL / KN / KT / KY
Door Size	10 <sup>13</sup> / <sub>16</sub> "W x 28 <sup>3</sup> / <sub>4</sub> "H
Front Side Panel	11 <sup>3</sup> / <sub>8</sub> "W x 30"H
Back Side Panel	19 <sup>1</sup> / <sub>2</sub> "W x 30"H
Back Panel	6 <sup>1</sup> / <sub>4</sub> "W x 30"H
Shelf Count	2

<b>SCW2436</b>	
Door Size	10 <sup>13</sup> / <sub>16</sub> "W x 34 <sup>3</sup> / <sub>4</sub> "H
Front Side Panel	11 <sup>3</sup> / <sub>8</sub> "W x 36"H
Back Side Panel	19 <sup>1</sup> / <sub>2</sub> "W x 36"H
Back Panel	6 <sup>1</sup> / <sub>4</sub> "W x 36"H
Shelf Count	2

<b>SCW2442</b>	
Door Size	10 <sup>13</sup> / <sub>16</sub> "W x 40 <sup>3</sup> / <sub>4</sub> "H
Front Side Panel	11 <sup>3</sup> / <sub>8</sub> "W x 42"H
Back Side Panel	19 <sup>1</sup> / <sub>2</sub> "W x 42"H
Back Panel	6 <sup>1</sup> / <sub>4</sub> "W x 42"H
Shelf Count	3

## AB24

### Specifications



	KD / KE / KB / KDC / KDL / KN / KT / KY
a	24"
b	18 <sup>5</sup> / <sub>16</sub> "
c	90°
d	67.5°
e	135°

### Parts Specifications

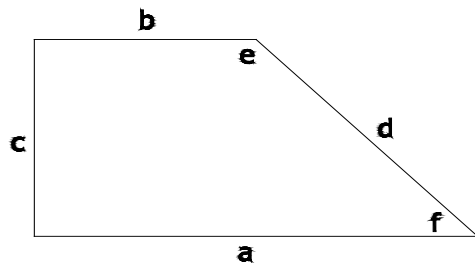
	KD / KE / KB / KDC / KDL / KN / KT / KY
Door Size	17 <sup>7</sup> / <sub>8</sub> "W x 29 "H
Door Cutout	15 <sup>1</sup> / <sub>2</sub> "W x 26 <sup>1</sup> / <sub>2</sub> "H
Shelf Count	1
Holes for Roll-Outs	None

- Shelf is fixed, full depth, <sup>3</sup>/<sub>4</sub>" thick



## TB12

### **Specifications**



	KD / KE / KB / KDC / KDL / KN / KT / KY
a	24"
b	12"
c	12"
d	17"
e	135°
f	45°

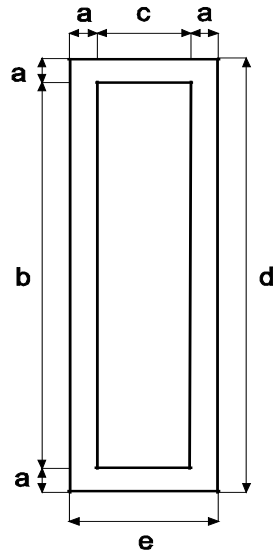
### **Parts Specifications**

	KD / KE / KB / KDC / KDL / KN / KT / KY
Door Size	15"W x 29"H
Door Cutout	13 <sup>7</sup> / <sub>8</sub> "W x 27"H
Shelf Count	1
Holes for Roll-Outs	None

- Shelf is adjustable, full depth, <sup>3</sup>/<sub>4</sub>" thick
- Cabinet is reversible.
- Standard overlay door

## **BF09**

### **Face Frame Specifications**



	KD / KE / KB / KDC / KDL / KN / KT / KY
a	1 1/2"
b	27 "
c	6 "
d	30"
e	9"

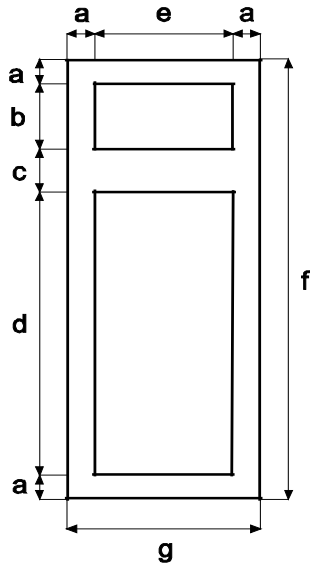
### **Parts Specifications**

	KD / KE / KB / KDC / KDL / KN / KT / KY
Door Size	8 1/2" x 29"
Cabinet Bottom Panel	7 7/8"W x 23"D x 3/8"T
Back Panel	7 7/8"W x 31 5/16"H
Shelf Count	1
Shelf Dimensions	7 5/16"W x 11 13/16"D
Cabinet Inner Dimensions	7 1/2"W x 22 3/4"D x 28 5/8"H
Holes for Roll-Outs	None

- BF09 has a full height door
- No drawer

## B12

### **Face Frame Specifications**



	KD / KE / KB / KDC / KDL / KN / KT / KY	
a	1 1/2"	
b	5 5/32"	
c	1 1/2"	
d	20 11/32"	
e	9"	
f	30"	
g	12"	

### **Parts Specifications**

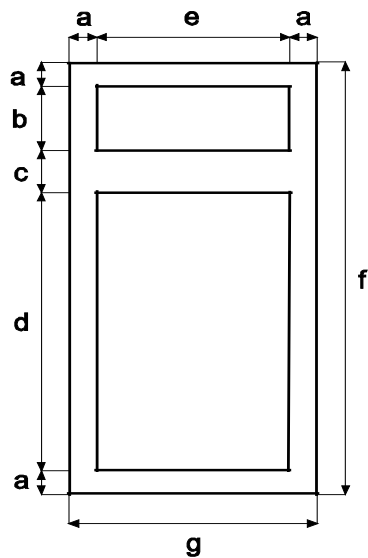
	KD / KE / KB / KDC / KDL / KN / KT / KY
Door Size	11 1/2"W x 22 1/4"H
Drawer Head Size	11 1/2"W x 6 1/2"H
Cabinet Bottom Panel	10 7/8"W x 23"D x 3/8"T
Back Panel	10 7/8"W x 31 5/16"H
Shelf Count	1
Shelf Dimensions	10 5/16"W x 11 13/16"D
Cabinet Inner Dimensions	10 1/2"W x 22 3/4"D x 22 1/8"H
Holes for Roll-Outs	6 sets / up to 2 RT

### **Drawer Box Specifications**

	KD / KE / KB / KDC / KDL / KN / KT / KY
Drawer Inner Dimensions	7 1/8"W x 19 3/4"D x 3 1/4"H
Drawer Outer Dimensions	8 7/16"W x 21 1/8"D x 4"H
Drawer Bottom Panel	3/8" Thick

## B15

### **Face Frame Specifications**



	KD / KE / KB / KDC / KDL / KN / KT / KY
a	1 1/2"
b	5 5/32"
c	1 1/2"
d	20 11/32"
e	12"
f	30"
g	15"

### **Parts Specifications**

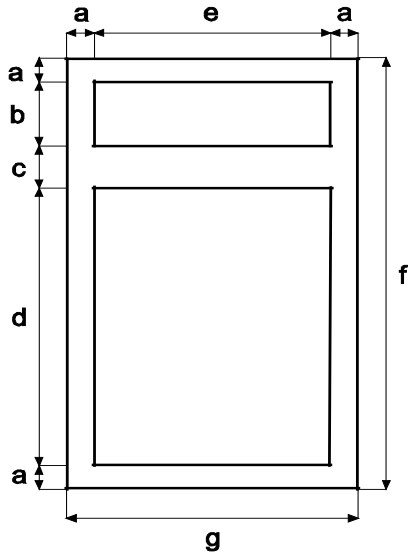
	KD / KE / KB / KDC / KDL / KN / KT / KY
Door Size	14 1/2"W x 22 1/4"H
Drawer Head Size	14 1/2"W x 6 1/2"H
Cabinet Bottom Panel	13 7/8"W x 23"D x 3/8"T
Back Panel	13 7/8"W x 31 5/16"H
Shelf Count	1
Shelf Dimensions	13 5/16"W x 11 13/16"D
Cabinet Inner Dimensions	13 1/2"W x 22 3/4"D x 22 1/8"H
Holes for Roll-Outs	6 sets / up to 2 RT

### **Drawer Box Specifications**

	KD / KE / KB / KDC / KDL / KN / KT / KY
Drawer Inner Dimensions	10 1/8"W x 19 3/4"D x 3 1/4"H
Drawer Outer Dimensions	11 7/16"W x 21 1/8"D x 4"H
Drawer Bottom Panel	3/8" Thick

## B18

### **Face Frame Specifications**



	KD / KE / KB / KDC / KDL / KN / KT / KY
a	1 1/2"
b	5 5/32"
c	1 1/2"
d	20 11/32"
e	15"
f	30"
g	18"

### **Parts Specifications**

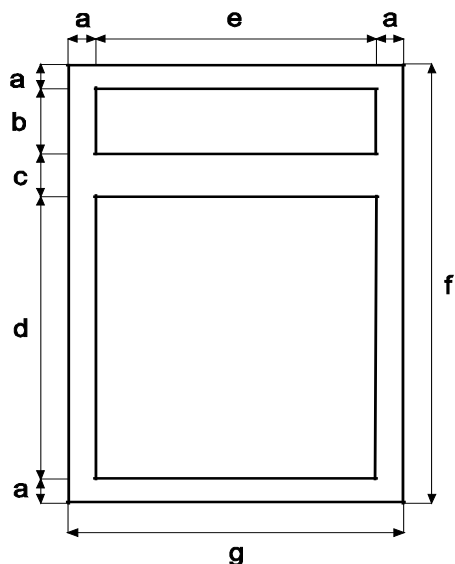
	KD / KE / KB / KDC / KDL / KN / KT / KY
Door Size	17 1/2"W x 22 1/4"H
Drawer Head Size	17 1/2"W x 6 1/2"H
Cabinet Bottom Panel	16 7/8"W x 23"D x 3/8"T
Back Panel	16 7/8"W x 31 5/16"H
Shelf Count	1
Shelf Dimensions	16 5/16"W x 11 13/16"D
Cabinet Inner Dimensions	16 1/2"W x 22 3/4"D x 22 1/8"H
Holes for Roll-Outs	6 sets / up to 2 RT

### **Drawer Box Specifications**

	KD / KE / KB / KDC / KDL / KN / KT / KY
Drawer Inner Dimensions	13 1/8"W x 19 3/4"D x 3 1/4"H
Drawer Outer Dimensions	14 7/16"W x 21 1/8"D x 4"H
Drawer Bottom Panel	3/8" Thick

## B21

### **Face Frame Specifications**



	KD / KE / KB / KDC / KDL / KN / KT / KY
a	1 1/2"
b	5 5/32"
c	1 1/2"
d	20 11/32"
e	18"
f	30"
g	21"

### **Parts Specifications**

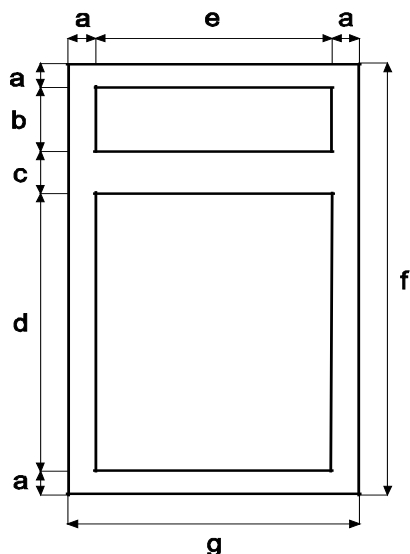
	KD / KE / KB / KDC / KDL / KN / KT / KY
Door Size	20 1/2"W x 22 1/4"H
Drawer Head Size	20 1/2"W x 6 1/2"H
Cabinet Bottom Panel	19 7/8"W x 23"D x 3/8"T
Back Panel	19 7/8"W x 31 5/16"H
Shelf Count	1
Shelf Dimensions	19 5/16"W x 11 13/16"D
Cabinet Inner Dimensions	19 1/2"W x 22 3/4"D x 22 1/8"H
Holes for Roll-Outs	6 sets / up to 2 RT

### **Drawer Box Specifications**

	KD / KE / KB / KDC / KDL / KN / KT / KY
Drawer Inner Dimensions	16 1/8"W x 19 3/4"D x 3 1/4"H
Drawer Outer Dimensions	17 7/16"W x 21 1/8"D x 4"H
Drawer Bottom Panel	3/8" Thick

## B24B

### Face Frame Specifications



	KD / KE / KB / KDC / KDL / KN / KT / KY
a	1 1/2"
b	5 5/32"
c	1 1/2"
d	20 11/32"
e	21"
f	30"
g	24"

### Parts Specifications

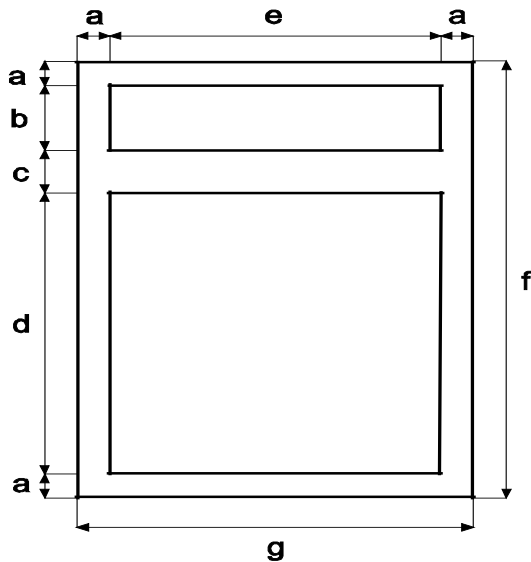
	KD / KE / KB / KDC / KDL / KN / KT / KY
Door Size	11 11/16"W x 22 1/4"H
Drawer Head Size	23 1/2"W x 6 1/2"H
Cabinet Bottom Panel	22 7/8"W x 23"D x 3/8"T
Back Panel	22 7/8"W x 31 5/16"H
Shelf Count	1
Shelf Dimensions	22 5/16"W x 11 13/16"D
Cabinet Inner Dimensions	22 1/2"W x 22 3/4"D x 22 1/8"H
Holes for Roll-Outs	6 sets / up to 2 RT

### Drawer Box Specifications

	KD / KE / KB / KDC / KDL / KN / KT / KY
Drawer Inner Dimensions	19 1/8"W x 19 3/4"D x 3 1/4"H
Drawer Outer Dimensions	20 7/16"W x 21 1/8"D x 4"H
Drawer Bottom Panel	3/8" Thick

## B27B

### **Face Frame Specifications**



	KD / KE / KB / KDC / KDL / KN / KT / KY
a	1 1/2"
b	5 5/32"
c	1 1/2"
d	20 11/32"
e	24"
f	30"
g	27"

### **Parts Specifications**

	KD / KE / KB / KDC / KDL / KN / KT / KY
Door Size	13 3/16"W x 22 1/4"H
Drawer Head Size	26 1/2"W x 6 1/2"H
Cabinet Bottom Panel	25 7/8"W x 23"D x 3/8"T
Back Panel	25 7/8"W x 31 5/16"H
Shelf Count	1
Shelf Dimensions	25 5/16"W x 11 13/16"D
Cabinet Inner Dimensions	25 1/2"W x 22 3/4"D x 22 1/8"H
Holes for Roll-Outs	6 sets / up to 2 RT

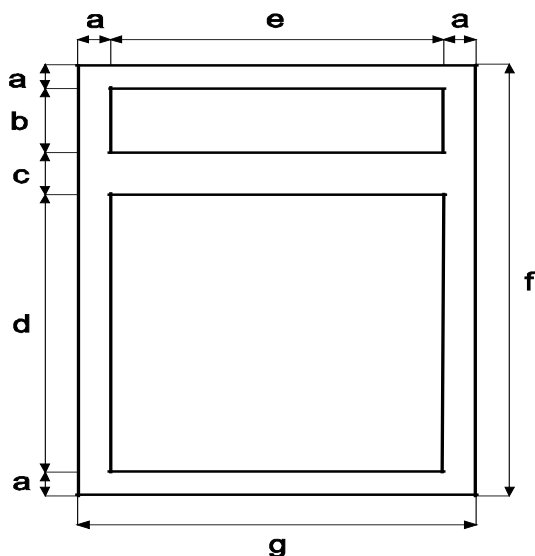
### **Drawer Box Specifications**

	KD / KE / KB / KDC / KDL / KN / KT / KY
Drawer Inner Dimensions	22 1/8"W x 19 3/4"D x 3 1/4"H
Drawer Outer Dimensions	23 7/16"W x 21 1/8"D x 4"H
Drawer Bottom Panel	3/8" Thick



## B30B

### Face Frame Specifications



	KD / KE / KB / KDC / KDL / KN / KT / KY
a	1 1/2"
b	5 5/32"
c	1 1/2"
d	20 11/32"
e	27"
f	30"
g	30"

### Parts Specifications

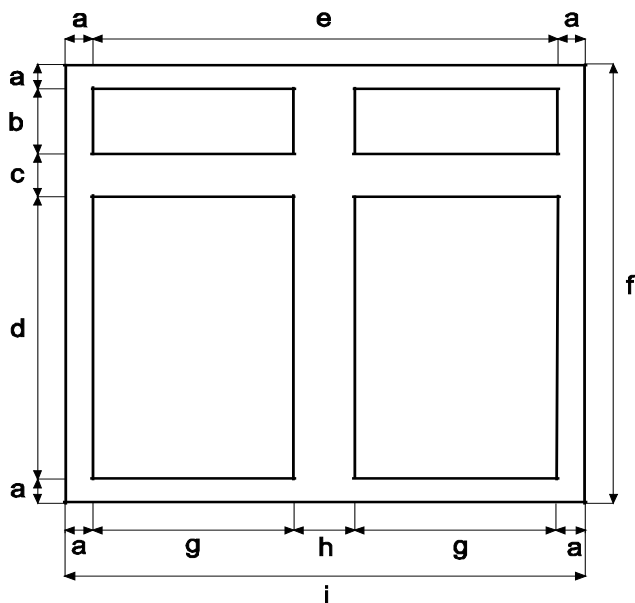
	KD / KE / KB / KDC / KDL / KN / KT / KY
Door Size	14 11/16"W x 22 1/4"H
Drawer Head Size	29 1/2"W x 6 1/2"H
Cabinet Bottom Panel	28 7/8"W x 23"D x 3/8"T
Back Panel	28 7/8"W x 31 5/16"H
Shelf Count	1
Shelf Dimensions	28 5/16"W x 11 13/16"D
Cabinet Inner Dimensions	28 1/2"W x 22 3/4"D x 22 1/8"H
Holes for Roll-Outs	6 sets / up to 2 RT

### Drawer Box Specifications

	KD / KE / KB / KDC / KDL / KN / KT / KY
Drawer Inner Dimensions	25 1/8"W x 19 3/4"D x 3 1/4"H
Drawer Outer Dimensions	26 7/16"W x 21 1/8"D x 4"H
Drawer Bottom Panel	3/8" Thick

## B33

### Face Frame Specifications



	KD / KE / KB / KDC / KDL / KN / KT / KY
a	1 1/2"
b	5 5/32"
c	1 1/2"
d	20 11/32"
e	30"
f	30"
g	13 1/2"
h	3"
i	33"

### Parts Specifications

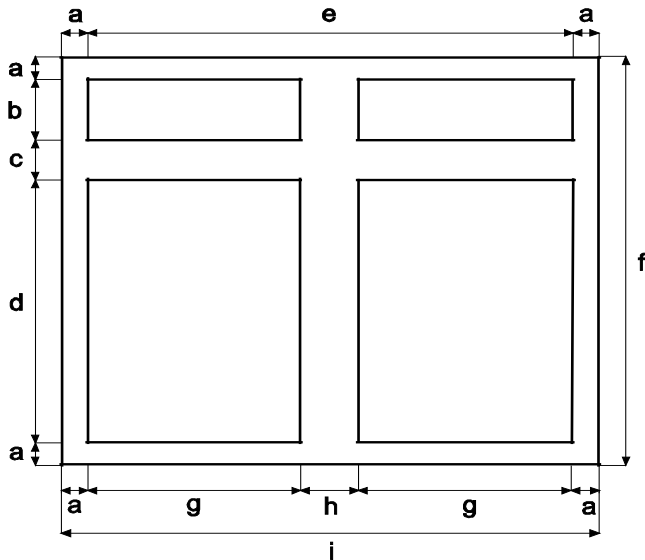
	KD / KE / KB / KDC / KDL / KN / KT / KY
Door Size	16"W x 22 1/4"H
Drawer Head Size	16"W x 6 1/2"H
Cabinet Bottom Panel	31 7/8"W x 23"D x 3/8"T
Back Panel	28 7/8"W x 31 5/16"H
Shelf Count	1
Shelf Dimensions	31 5/16"W x 11 13/16"D
Cabinet Inner Dimensions	31 1/2"W x 22 3/4"D x 22 1/8"H
Holes for Roll-Outs	6 sets / up to 2 RT

### Drawer Box Specifications

	KD / KE / KB / KDC / KDL / KN / KT / KY
Drawer Inner Dimensions	11 9/16"W x 19 3/4"D x 3 1/4"H
Drawer Outer Dimensions	12 15/16"W x 21 1/8"D x 4"H
Drawer Bottom Panel	3/8" Thick

## B36

### Face Frame Specifications



	KD / KE / KB / KDC / KDL / KN / KT / KY
a	1 1/2"
b	5 5/32"
c	1 1/2"
d	20 11/32"
e	33"
f	30"
g	15"
h	3"
i	36"

### Parts Specifications

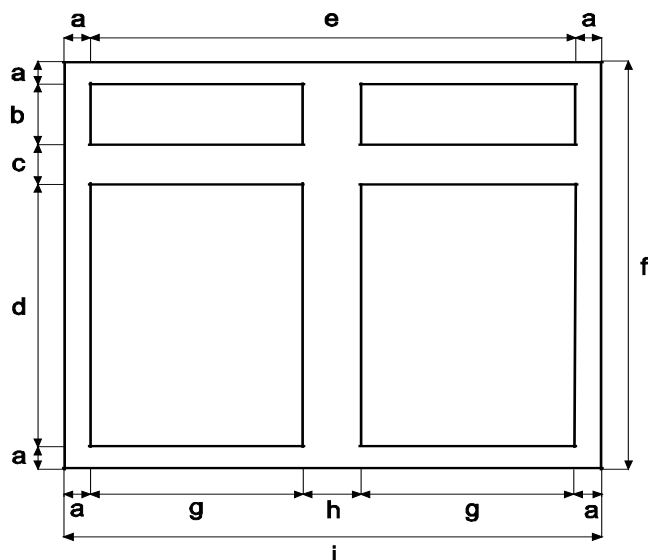
	KD / KE / KB / KDC / KDL / KN / KT / KY
Door Size	17 1/2"W x 22 1/4"H
Drawer Head Size	17 1/2"W x 6 1/2"H
Cabinet Bottom Panel	34 7/8"W x 23"D x 3/8"T
Back Panel	34 7/8"W x 31 5/16"H
Shelf Count	1
Shelf Dimensions	34 5/16"W x 11 13/16"D
Cabinet Inner Dimensions	34 1/2"W x 22 3/4"D x 22 1/8"H
Holes for Roll-Outs	6 sets / up to 2 RT

### Drawer Box Specifications

	KD / KE / KB / KDC / KDL / KN / KT / KY
Drawer Inner Dimensions	13 1/8"W x 19 3/4"D x 3 1/4"H
Drawer Outer Dimensions	14 7/16"W x 21 1/8"D x 4"H
Drawer Bottom Panel	3/8" Thick

## B42

### Face Frame Specifications



	KD / KE / KB / KDC / KDL / KN / KT / KY
a	1 1/2"
b	5 5/32"
c	1 1/2"
d	20 11/32"
e	39"
f	30"
g	18"
h	3"
i	42"

### Parts Specifications

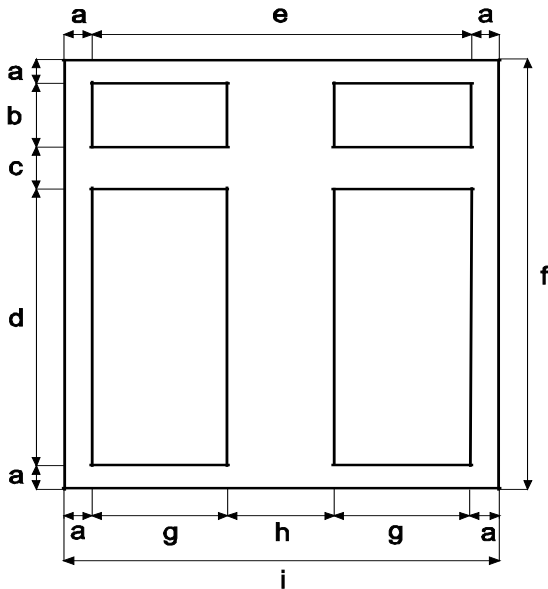
	KD / KE / KB / KDC / KDL / KN / KT / KY
Door Size	20 1/2"W x 22 1/4"H
Drawer Head Size	20 1/2"W x 6 1/2"H
Cabinet Bottom Panel	40 7/8"W x 23"D x 3/8"T
Back Panel	40 7/8"W x 31 5/16"H
Shelf Count	1
Shelf Dimensions	40 5/16"W x 11 13/16"D
Cabinet Inner Dimensions	40 1/2"W x 22 3/4"D x 22 7/8"H
Holes for Roll-Outs	6 sets / up to 2 RT

### Drawer Box Specifications

	KD / KE / KB / KDC / KDL / KN / KT / KY
Drawer Inner Dimensions	16 1/8"W x 19 3/4"D x 3 1/4"H
Drawer Outer Dimensions	17 7/16"W x 21 1/8"D x 4"H
Drawer Bottom Panel	3/8" Thick

## BBC36/39

### Face Frame Specifications



	KD / KE / KB / KDC / KDL / KN / KT / KY
a	1 1/2"
b	5 5/32"
c	1 1/2"
d	20 11/32"
e	24"
f	30"
g	9"
h	6"
i	27"

### Parts Specifications

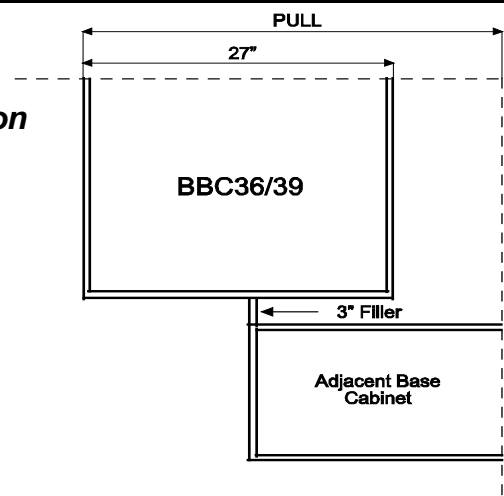
	KD / KE / KB / KDC / KDL / KN / KT / KY
Door Size	11 1/2"W x 22 1/4"H
Drawer Head Size	11 1/2"W x 6 1/2"H
Cabinet Bottom Panel	25 7/8"W x 23"D x 3/8"T
Back Panel	25 7/8"W x 31 5/16"H
Shelf Count	1
Shelf Dimensions	25 5/16"W x 11 13/16"D
Cabinet Inner Dimensions	25 1/2"W x 22 3/4"D x 22 1/8"H
Holes for Roll-Outs	None

### Drawer Box Specifications

	KD / KE / KB / KDC / KDL / KN / KT / KY
Drawer Inner Dimensions	7 1/8"W x 19 3/4"D x 3 1/4"H
Drawer Outer Dimensions	8 7/16"W x 21 1/8"D x 4"H
Drawer Bottom Panel	3/8" Thick

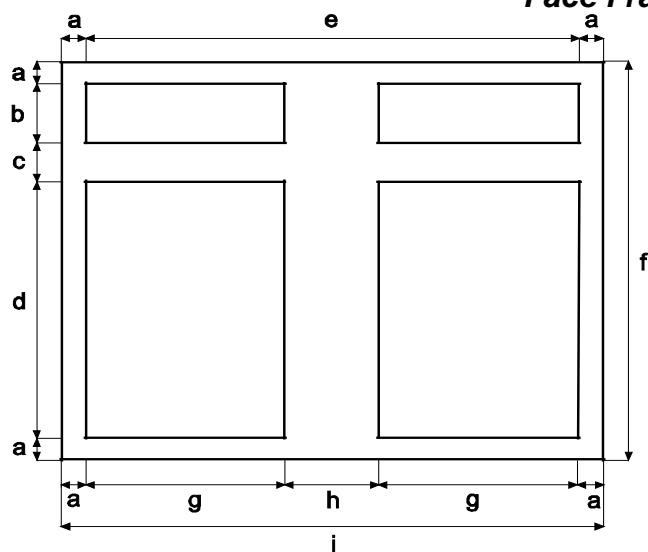
### Installation Information

- Recommended Pull: 38 1/2" - 40"
- Maximum Pull: 40"
- BBC36/39 must be a minimum of 11 1/2" from the corner when installed.
- 3" filler is sold separately (WF3).
- Cabinet is reversible, to make the unit a left/right blind.



## BBC42/45

### Face Frame Specifications



	KD / KE / KB / KDC / KDL / KN / KT / KY
a	1 1/2"
b	5 5/32"
c	1 1/2"
d	20 11/32"
e	36"
f	30"
g	15"
h	6"
i	39"

### Parts Specifications

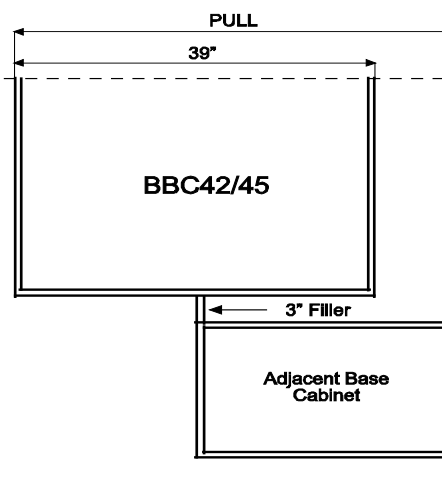
	KD / KE / KB / KDC / KDL / KN / KT / KY
Door Size	17 1/2"W x 22 1/4"H
Drawer Head Size	17 1/2"W x 6 1/2"H
Cabinet Bottom Panel	37 7/8"W x 23"D x 3/8"T
Back Panel	37 7/8"W x 31 5/16"H
Shelf Count	1
Shelf Dimensions	37 5/16"W x 11 13/16"D
Cabinet Inner Dimensions	37 1/2"W x 22 3/4"D x 22 1/8"H
Holes for Roll-Outs	None

### Drawer Box Specifications

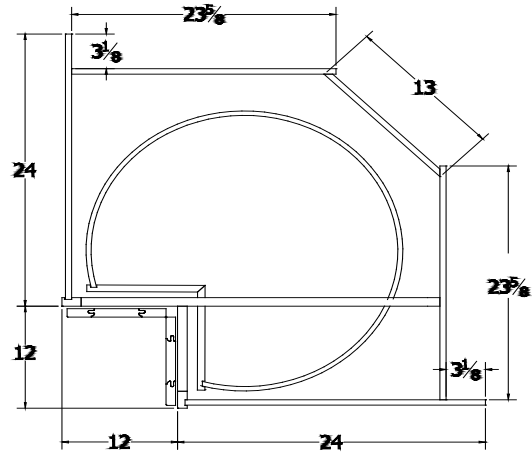
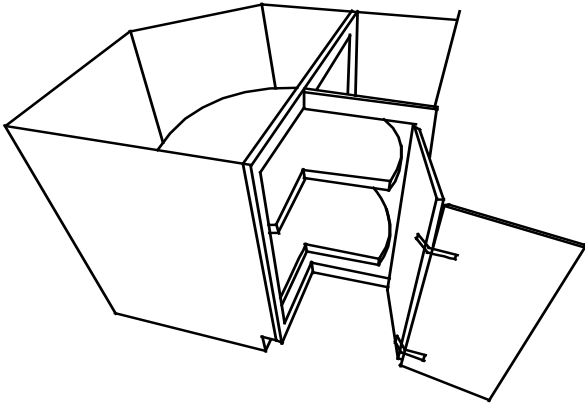
	KD / KE / KB / KDC / KDL / KN / KT / KY
Drawer Inner Dimensions	13 1/8"W x 19 3/4"D x 3 1/4"H
Drawer Outer Dimensions	14 7/16"W x 21 1/8"D x 4"H
Drawer Bottom Panel	3/8" Thick

### Installation Information

- Recommended Pull: 44 1/2" - 46"
- Maximum Pull: 46"
- BBC42/45 must be a minimum of 5 1/2" from the corner when installed.
- 3" filler is sold separately (WF3).
- Cabinet is reversible. to make the unit a left/right blind.



## LS36



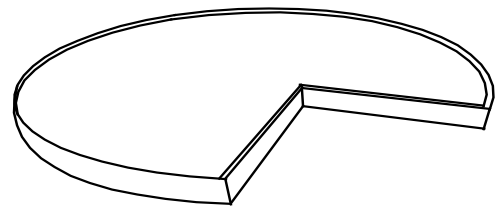
### Parts Specifications

	KD / KE / KB / KDC / KDL / KN / KT / KY
Inner Door Size	10 <sup>13</sup> / <sub>16</sub> "W x 29 "H
Outer Door Size	10 <sup>13</sup> / <sub>16</sub> "W x 29 "H
Door Opening	15"

- Lazy Susan can be assembled with doors open to the right or assembled with doors open to left.

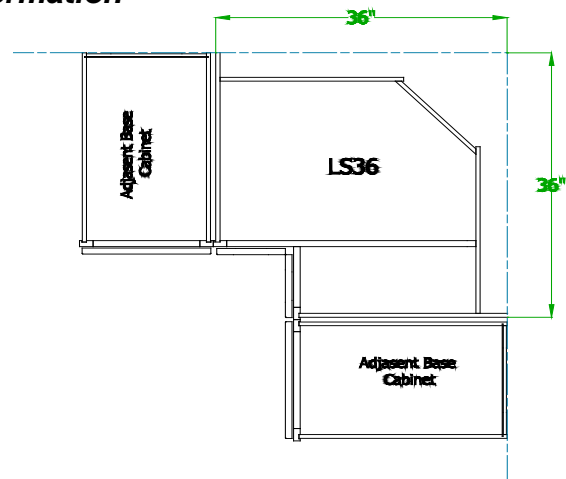
### Turning Shelf Specifications

	KD / KE / KB / KDC / KDL / KN / KT / KY
Turning Shelf Count:	2
Turning Shelf Diameter:	25 <sup>5</sup> / <sub>8</sub> "
Turning Shelf Thickness:	<sup>5</sup> / <sub>8</sub> "
Turning Shelf Rim Height:	1 <sup>3</sup> / <sub>8</sub> "
Turning Shelf Cutout:	8 <sup>5</sup> / <sub>8</sub> " x 8 <sup>5</sup> / <sub>8</sub> "
Max object height:	12" on both shelves

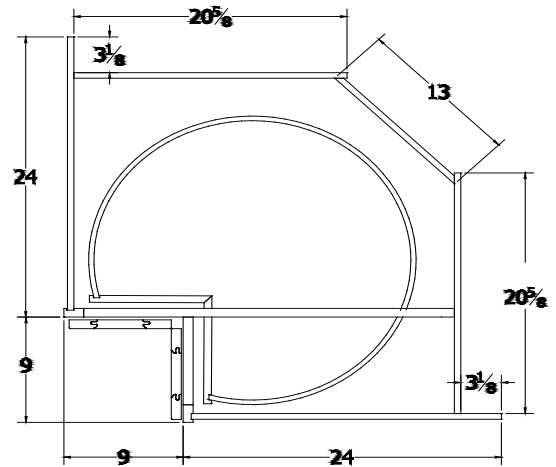
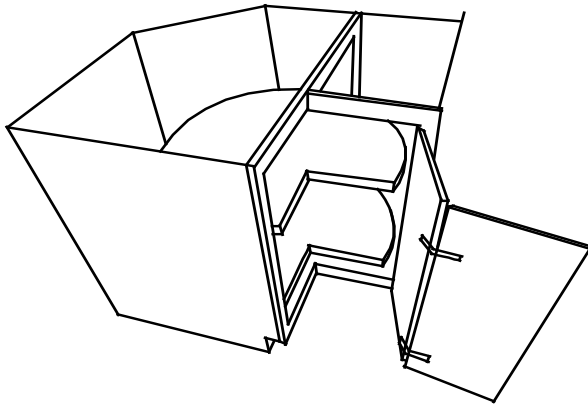


### Installation Information

- Lazy Susan cabinets require 36" room from the corner in each direction for installation.



## LS33



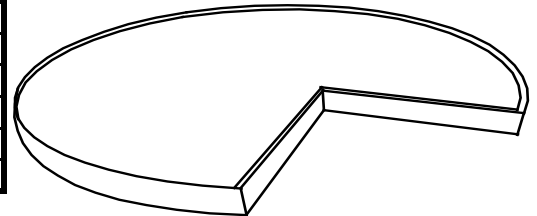
### Parts Specifications

	KD / KE / KB / KDC / KDL / KN / KT / KY
Inner Door Size	7 <sup>3</sup> / <sub>4</sub> "W x 29"H
Outer Door Size	7 <sup>3</sup> / <sub>4</sub> "W x 29"H
Door Opening	10 <sup>5</sup> / <sub>8</sub> "

- Lazy Susan can be assembled with doors open to the right or assembled with doors open to left.

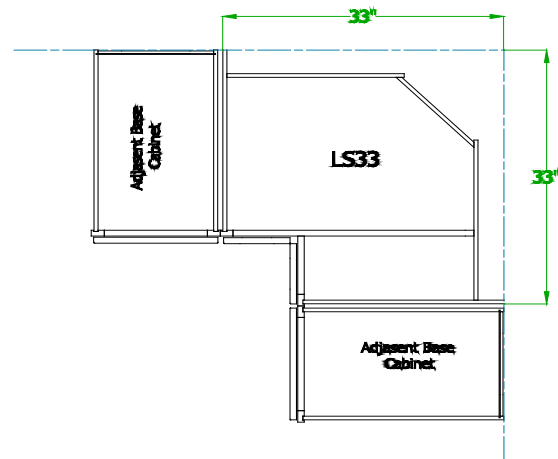
### Turning Shelf Specifications

	KD / KE / KB / KDC / KDL / KN / KT / KY
Turning Shelf Count:	2
Turning Shelf Diameter:	25 <sup>5</sup> / <sub>8</sub> "
Turning Shelf Thickness:	<sup>5</sup> / <sub>8</sub> "
Turning Shelf Rim Height:	1 <sup>3</sup> / <sub>8</sub> "
Turning Shelf Cutout:	8 <sup>5</sup> / <sub>8</sub> " x 8 <sup>5</sup> / <sub>8</sub> "
Max object height:	12" on both shelves



### Installation Information

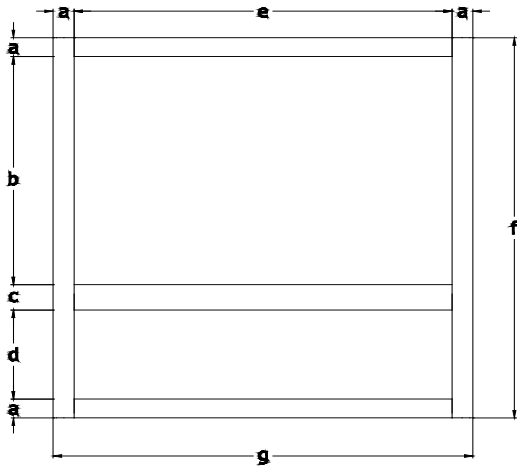
- Lazy Susan cabinets require 33" room from the corner in each direction for installation.





## MB30

### Face Frame Specifications



	KD / KE / KB / KDC / KDL / KN / KT / KY
a	1 1/2"
b	18"
c	2"
d	7"
e	27"
f	30"
g	30"

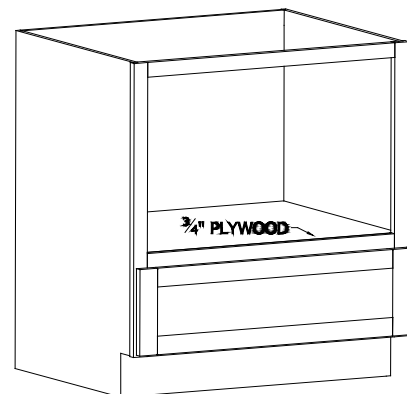
### Parts Specifications

	KD / KE / KB / KDC / KDL / KN / KT / KY
Drawer Head Size	29 1/2"W x 8 13/16"H
Cabinet Bottom Panel	28 7/8"W x 23"D x 3/8"T
Back Panel	28 7/8"W x 31 3/8"H
Frame Opening	27" W x 18"H
Cabinet Inner Dimensions	28 1/2"W x 22 3/4"D x 19 1/2"H

### Drawer Box Specifications

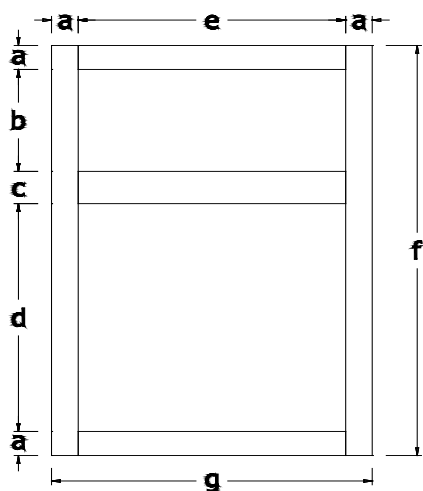
	KD / KE / KB / KDC / KDL / KN / KT / KY
Drawer Inner Dimensions	25 1/8"W x 19 3/4"D x 3 1/4"H
Drawer Outer Dimensions	26 7/16"W x 21 1/8"D x 4"H
Drawer Bottom Panel	3/8" Thick

All come with matching interior



## BFD1821

### **Face Frame Specifications**



	KD / KE / KB / KDC / KDL / KN / KT / KY
a	1 1/2"
b	6 5/16"
c	2"
d	14 3/16"
e	15"
f	25 1/2"
g	18"

### **Parts Specifications**

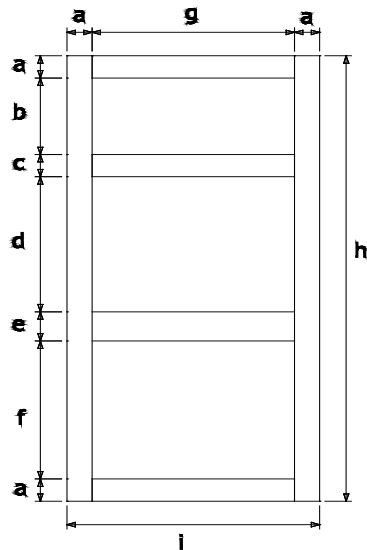
	KD / KE / KB / KDC / KDL / KN / KT / KY
Top Drawer Head Size	17 1/2"W x 8 3/8"H
Bottom Drawer Head Size	17 1/2"W x 16"H
Cabinet Bottom Panel	16 7/8"W x 19"D x 3/8"T
Back Panel	16 7/8"W x 27 5/8"H

### **Drawer Box Specifications**

	KD / KE / KB / KDC / KDL / KN / KT / KY
Top Drawer Inner Dim.	13 1/8"W x 16 5/8"D x 4" H
Bottom Drawer Inner Dim.	13 1/8"W x 16 5/8"D x 11 1/4" H
Top Drawer Outer Dim.	14 7/16"W x 18"D x 4 3/4" H
Bottom Drawer Outer Dim.	14 7/16"W x 18"D x 12" H
Drawer Bottom Panel	3/8" Thick

## DB12

### **Face Frame Specifications**



	KD / KE / KB / KDC / KDL / KN / KT / KY
a	1 1/2"
b	5 5/32"
c	1 1/2"
d	9 1/16"
e	2"
f	9 9/32"
g	9"
h	30"
i	12"

### **Parts Specifications**

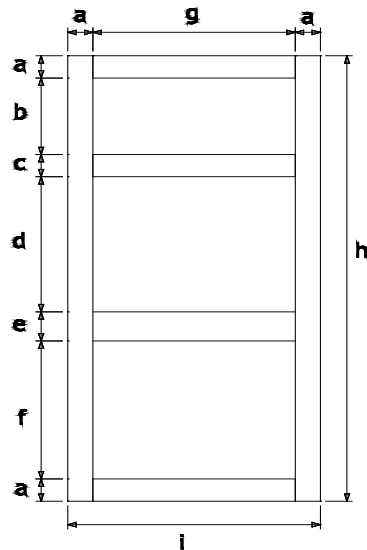
	KD / KE / KB / KDC / KDL / KN / KT / KY
Top Drawer Head Size	11 1/2"W x 6 1/2"H
Bottom Drawer Head Size	11 1/2"W x 11"H
Cabinet Bottom Panel	10 7/8"W x 23"D x 3/8"T
Back Panel	10 7/8"W x 32 1/4"H

### **Drawer Box Specifications**

	KD / KE / KB / KDC / KDL / KN / KT / KY
Top Drawer Inner Dim.	7 1/8"W x 19 3/4"D x 3 1/4" H
Bottom Drawer Inner Dim.	7 1/8"W x 19 3/4"D x 7" H
Top Drawer Outer Dim.	8 7/16"W x 21 1/8"D x 4" H
Bottom Drawer Outer Dim.	8 7/16"W x 21 1/8"D x 7 3/4" H
Drawer Bottom Panel	3/8" Thick

## DB15

### Face Frame Specifications



	KD / KE / KB / KDC / KDL / KN / KT / KY
a	1 1/2"
b	5 5/32"
c	1 1/2"
d	9 1/16"
e	2"
f	9 9/32"
g	12"
h	30"
i	15"

### Parts Specifications

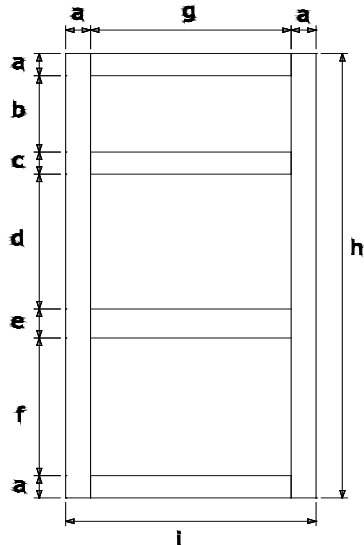
	KD / KE / KB / KDC / KDL / KN / KT / KY
Top Drawer Head Size	14 1/2"W x 6 1/2"H
Bottom Drawer Head Size	14 1/2"W x 11"H
Cabinet Bottom Panel	13 7/8"W x 23"D x 3/8"T
Back Panel	13 7/8"W x 32 1/4"H

### Drawer Box Specifications

	KD / KE / KB / KDC / KDL / KN / KT / KY
Top Drawer Inner Dim.	10 1/8"W x 19 3/4"D x 3 1/4" H
Bottom Drawer Inner Dim.	10 1/8"W x 19 3/4"D x 7" H
Top Drawer Outer Dim.	11 7/16"W x 21 1/8"D x 4" H
Bottom Drawer Outer Dim.	11 7/16"W x 21 1/8"D x 7 3/4" H
Drawer Bottom Panel	3/8" Thick

## DB18

### Face Frame Specifications



	KD / KE / KB / KDC / KDL / KN / KT / KY
a	1 1/2"
b	5 5/32"
c	1 1/2"
d	9 1/16"
e	2"
f	9 9/32"
g	15"
h	30"
i	18"

### Parts Specifications

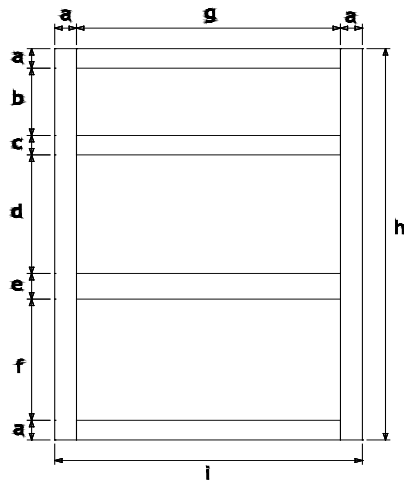
	KD / KE / KB / KDC / KDL / KN / KT / KY
Top Drawer Head Size	17 1/2"W x 6 1/2"H
Bottom Drawer Head Size	17 1/2"W x 11"H
Cabinet Bottom Panel	16 7/8"W x 23"D x 3/8"T
Back Panel	16 7/8"W x 32 1/4"H

### Drawer Box Specifications

	KD / KE / KB / KDC / KDL / KN / KT / KY
Top Drawer Inner Dim.	13 1/8"W x 19 3/4"D x 3 1/4" H
Bottom Drawer Inner Dim.	13 1/8"W x 19 3/4"D x 7" H
Top Drawer Outer Dim.	14 7/16"W x 21 1/8"D x 4" H
Bottom Drawer Outer Dim.	14 7/16"W x 21 1/8"D x 7 3/4" H
Drawer Bottom Panel	3/8" Thick

## DB21

### **Face Frame Specifications**



	KD / KE / KB / KDC / KDL / KN / KT / KY
a	1 1/2"
b	5 5/32"
c	1 1/2"
d	9 1/16"
e	2"
f	9 9/32"
g	18"
h	30"
i	21"

### **Parts Specifications**

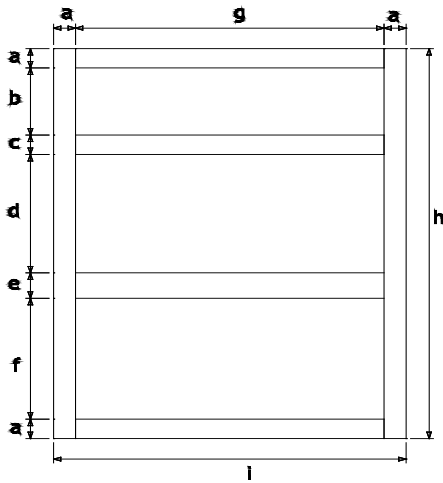
	KD / KE / KB / KDC / KDL / KN / KT / KY
Top Drawer Head Size	20 1/2"W x 6 1/2"H
Bottom Drawer Head Size	20 1/2"W x 11"H
Cabinet Bottom Panel	19 7/8"W x 23"D x 3/8"T
Back Panel	19 7/8"W x 32 1/4"H

### **Drawer Box Specifications**

	KD / KE / KB / KDC / KDL / KN / KT / KY
Top Drawer Inner Dim.	16 1/8"W x 19 3/4"D x 3 1/4" H
Bottom Drawer Inner Dim.	16 1/8"W x 19 3/4"D x 7" H
Top Drawer Outer Dim.	17 7/16"W x 21 1/8"D x 4" H
Bottom Drawer Outer Dim.	17 7/16"W x 21 1/8"D x 7 3/4" H
Drawer Bottom Panel	3/8" Thick

## DB24

### **Face Frame Specifications**



	KD / KE / KB / KDC / KDL / KN / KT / KY
a	1 1/2"
b	5 5/32"
c	1 1/2"
d	9 1/16"
e	2"
f	9 9/32"
g	21"
h	30"
i	24"

### **Parts Specifications**

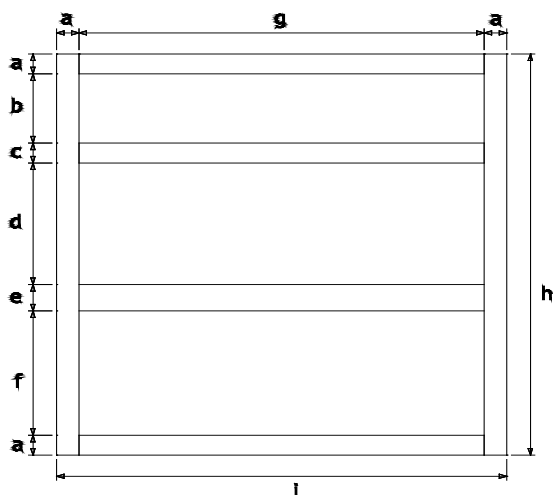
	KD / KE / KB / KDC / KDL / KN / KT / KY
Top Drawer Head Size	23 1/2"W x 6 1/2"H
Bottom Drawer Head Size	23 1/2"W x 11"H
Cabinet Bottom Panel	22 7/8"W x 23"D x 3/8"T
Back Panel	22 7/8"W x 32 1/4"H

### **Drawer Box Specifications**

	KD / KE / KB / KDC / KDL / KN / KT / KY
Top Drawer Inner Dim.	19 1/8"W x 19 3/4"D x 3 1/4" H
Bottom Drawer Inner Dim.	19 1/8"W x 19 3/4"D x 7" H
Top Drawer Outer Dim.	20 7/16"W x 21 1/8"D x 4" H
Bottom Drawer Outer Dim.	20 7/16"W x 21 1/8"D x 7 3/4" H
Drawer Bottom Panel	3/8" Thick

## DB30

### Face Frame Specifications



	KD / KE / KB / KDC / KDL / KN / KT / KY
a	1 1/2"
b	5 5/32"
c	1 1/2"
d	9 1/16"
e	2"
f	9 9/32"
g	27"
h	30"
i	30"

### Parts Specifications

	KD / KE / KB / KDC / KDL / KN / KT / KY
Top Drawer Head Size	29 1/2"W x 6 1/2"H
Bottom Drawer Head Size	29 1/2"W x 11"H
Cabinet Bottom Panel	28 7/8"W x 23"D x 3/8"T
Back Panel	28 7/8"W x 32 1/4"H

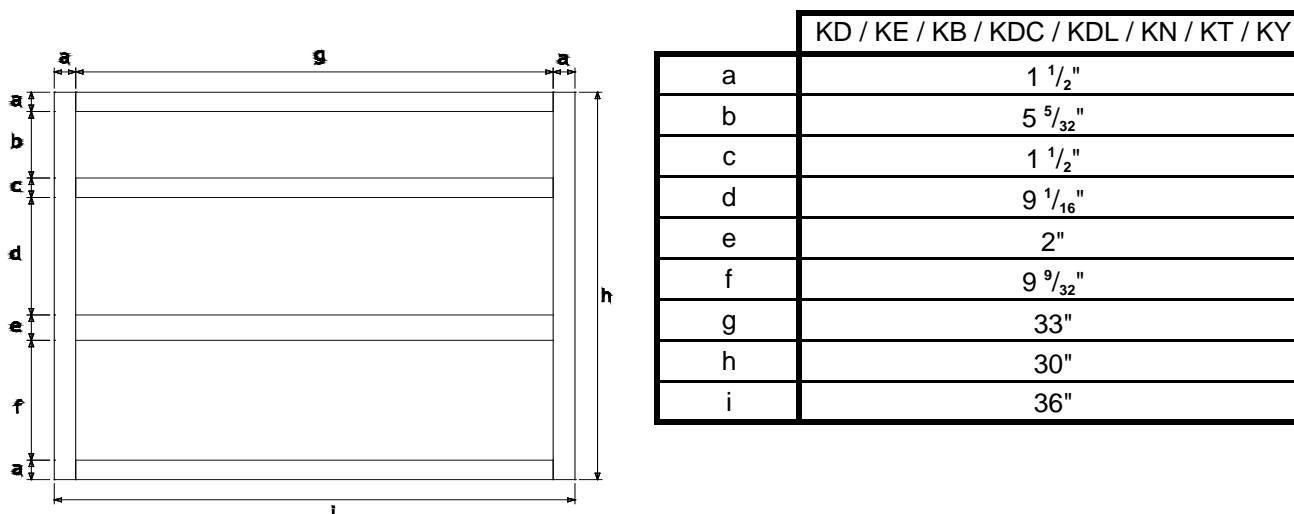
### Drawer Box Specifications

	KD / KE / KB / KDC / KDL / KN / KT / KY
Top Drawer Inner Dim.	25 1/8"W x 19 3/4"D x 3 1/4" H
Bottom Drawer Inner Dim.	25 1/8"W x 19 3/4"D x 7" H
Top Drawer Outer Dim.	26 7/16"W x 21 1/8"D x 4" H
Bottom Drawer Outer Dim.	26 7/16"W x 21 1/8"D x 7 3/4" H
Drawer Bottom Panel	3/8" Thick



## DB36

### Face Frame Specifications



### Parts Specifications

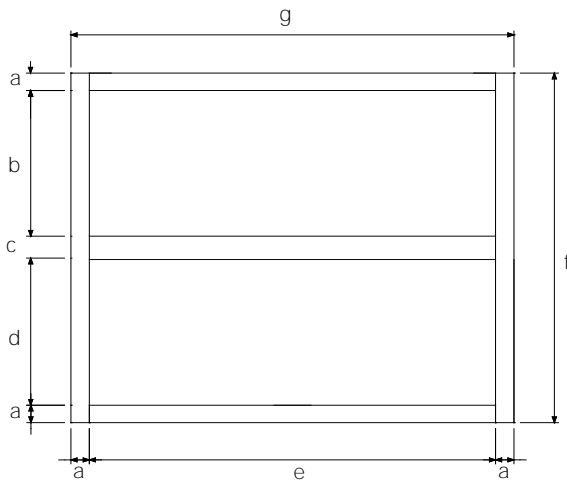
	KD / KE / KB / KDC / KDL / KN / KT / KY
Top Drawer Head Size	35 1/2"W x 6 1/2"H
Bottom Drawer Head Size	35 1/2"W x 11"H
Cabinet Bottom Panel	34 7/8"W x 23"D x 3/8"T
Back Panel	34 7/8"W x 32 1/4"H

### Drawer Box Specifications

	KD / KE / KB / KDC / KDL / KN / KT / KY
Top Drawer Inner Dim.	31 1/8"W x 19 3/4"D x 3 1/4" H
Bottom Drawer Inner Dim.	31 1/8"W x 19 3/4"D x 7" H
Top Drawer Outer Dim.	32 7/16"W x 21 1/8"D x 4" H
Bottom Drawer Outer Dim.	32 7/16"W x 21 1/8"D x 7 3/4" H
Drawer Bottom Panel	3/8" Thick

## 2DB30

### **Face Frame Specifications**



	KD / KE / KB / KDC / KDL / KN / KT / KY
a	1 1/2"
b	12 3/8"
c	2"
d	12 5/8"
e	27"
f	30"
g	30"

### **Parts Specifications**

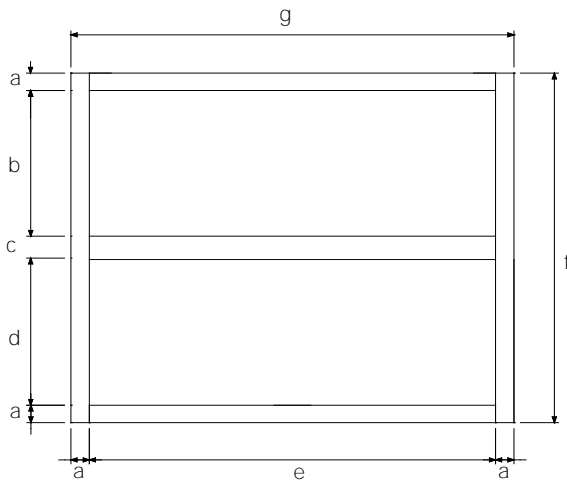
	KD / KE / KB / KDC / KDL / KN / KT / KY
Top Drawer Head Size	29 1/2"W x 14 3/8"H
Bottom Drawer Head Size	29 1/2"W x 14 3/8"H
Cabinet Bottom Panel	28 7/8"W x 23"D x 3/8"T
Back Panel	28 7/8"W x 32 1/4"H

### **Drawer Box Specifications**

	KD / KE / KB / KDC / KDL / KN / KT / KY
Top Drawer Inner Dim.	25 1/8"W x 19 3/4"D x 7" H
Bottom Drawer Inner Dim.	25 1/8"W x 19 3/4"D x 7" H
Top Drawer Outer Dim.	26 7/16"W x 21 1/8"D x 7 3/4" H
Bottom Drawer Outer Dim.	26 7/16"W x 21 1/8"D x 7 3/4" H
Drawer Bottom Panel	3/8" Thick

## 2DB36

### **Face Frame Specifications**



	KD / KE / KB / KDC / KDL / KN / KT / KY
a	1 1/2"
b	12 3/8"
c	2"
d	12 5/8"
e	33"
f	30"
g	36"

### **Parts Specifications**

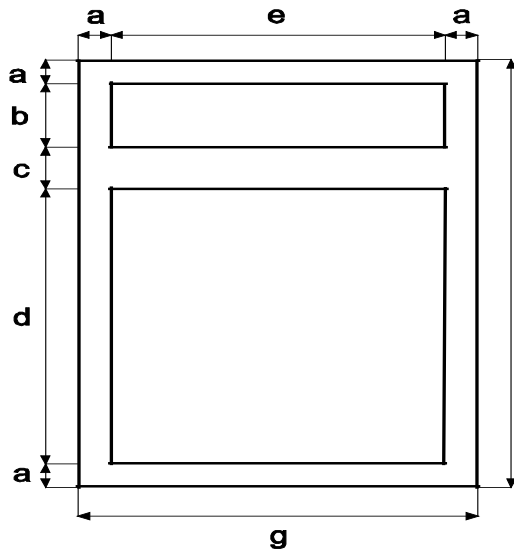
	KD / KE / KB / KDC / KDL / KN / KT / KY
Top Drawer Head Size	35 1/2"W x 14 3/8"H
Bottom Drawer Head Size	35 1/2"W x 14 3/8"H
Cabinet Bottom Panel	34 7/8"W x 23"D x 3/8"T
Back Panel	34 7/8"W x 32 1/4"H

### **Drawer Box Specifications**

	KD / KE / KB / KDC / KDL / KN / KT / KY
Top Drawer Inner Dim.	31 1/8"W x 19 3/4"D x 7" H
Bottom Drawer Inner Dim.	31 1/8"W x 19 3/4"D x 7" H
Top Drawer Outer Dim.	32 7/16"W x 21 1/8"D x 7 3/4" H
Bottom Drawer Outer Dim.	32 7/16"W x 21 1/8"D x 7 3/4" H
Drawer Bottom Panel	3/8" Thick

## SB24B

### Face Frame Specifications



	KD / KE / KB / KDC / KDL / KN / KT / KY
a	1 1/2"
b	5 5/32"
c	1 1/2"
d	20 11/32"
e	21"
f	30"
g	24"

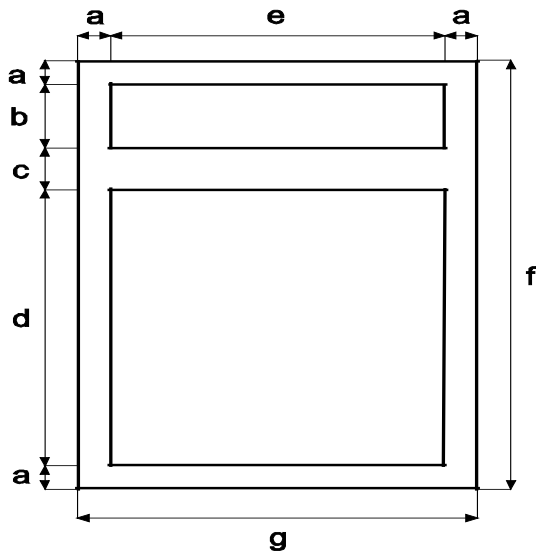
### Parts Specifications

	KD / KE / KB / KDC / KDL / KN / KT / KY
Door Size	11 11/16"W x 22 1/4"H
False Drawer Head Size	23 1/2"W x 6 1/2"H
Cabinet Bottom Panel	22 7/8"W x 23"D x 3/8"T
Back Panel	22 7/8"W x 31 3/8"H
Shelf	None
Cabinet Inner Dimensions	22 1/2"W x 22 3/4"D x 28 3/4"H
Holes for Roll-Outs	N/A

- Using B24B cabinet box to convert to Sink Base.
- For knock down (KD) the drawer head is NOT fasten to the frame.
- FULL back panel

## SB27B

### Face Frame Specifications



	KD / KE / KB / KDC / KDL / KN / KT / KY
a	1 1/2"
b	5 5/32"
c	1 1/2"
d	20 11/32"
e	24 "
f	30"
g	27"

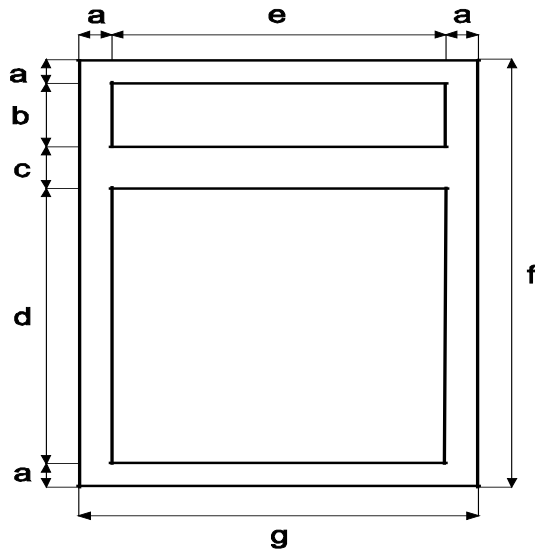
### Parts Specifications

	KD / KE / KB / KDC / KDL / KN / KT / KY
Door Size	13 3/16"W x 22 1/4"H
False Drawer Head Size	26 1/2"W x 6 1/2"H
Cabinet Bottom Panel	25 7/8"W x 23"D x 3/8"T
Back Panel	25 7/8"W x 31 3/8"H
Shelf	None
Cabinet Inner Dimensions	25 1/2"W x 22 3/4"D x 28 3/4"H
Holes for Roll-Outs	N/A

- Using B27B cabinet box to convert to Sink Base.
- For knock down (KD) the drawer head is NOT fasten to the frame.
- FULL back panel

## SB30B

### Face Frame Specifications



	KD / KE / KB / KDC / KDL / KN / KT / KY
a	1 1/4"
b	5 5/32"
c	1 9/16"
d	20 3/8"
e	27"
f	30"
g	30"

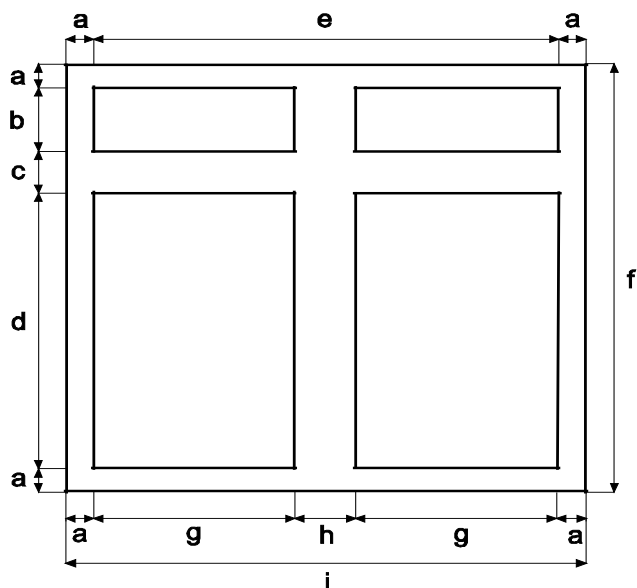
### Parts Specifications

	KD / KE / KB / KDC / KDL / KN / KT / KY
Door Size	14 11/16"W x 22 1/4"H
False Drawer Head Size	29 1/2"W x 6 1/2"H
Cabinet Bottom Panel	28 7/8"W x 23"D x 3/8"T
Back Panel	Open back
Shelf	None
Cabinet Inner Dimensions	28 1/2"W x 22 3/4"D x 28 3/4"H
Holes for Roll-Outs	N/A (Open back)

- Drawer is false (non-working), fastened to the face frame.

## SB33

### Face Frame Specifications



	KD / KE / KB / KDC / KDL / KN / KT / KY
a	1 1/2"
b	5 5/32"
c	1 1/2"
d	20 3/8"
e	30"
f	30"
g	13 1/2"
h	3"
i	33"

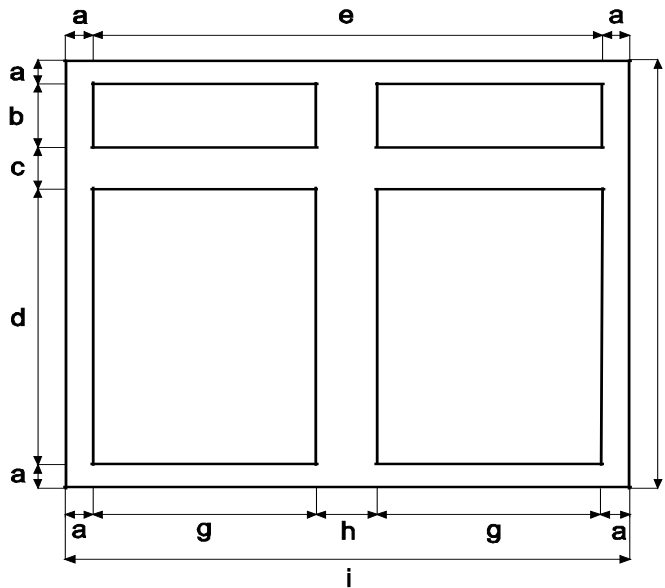
### Parts Specifications

	KD / KE / KB / KDC / KDL / KN / KT / KY
Door Size	16" W x 22 1/4"H
False Drawer Head Size	16" W x 6 1/2"H
Cabinet Bottom Panel	31 7/8"W x 23"D x 3/8"T
Back Panel	Open back (no Back Panel)
Shelf	None
Cabinet Inner Dimensions	31 1/2"W x 22 3/4"D x 28 3/4"H
Holes for Roll-Outs	N/A (Open back)

- Drawer is false (non-working), fastened to the face frame.

## SB36

### Face Frame Specifications



	KD / KE / KB / KDC / KDL / KN / KT / KY
a	1 1/2"
b	5 5/32"
c	1 1/2"
d	20 3/8"
e	33"
f	30"
g	15"
h	3"
i	36"

### Parts Specifications

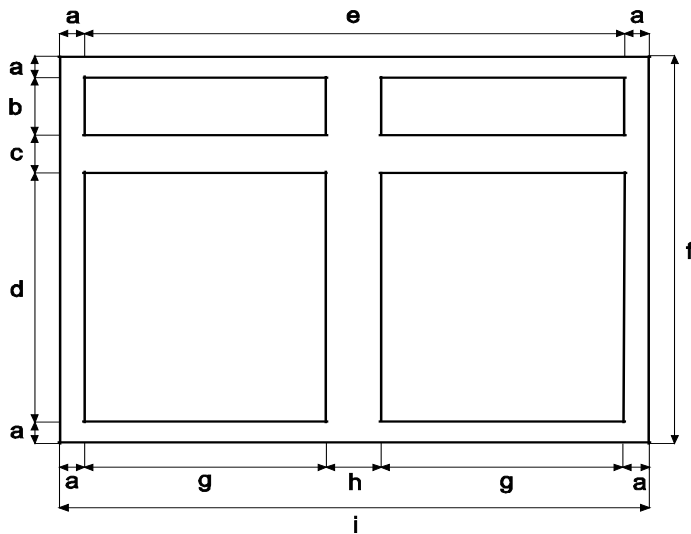
	KD / KE / KB / KDC / KDL / KN / KT / KY
Door Size	17 1/2"W x 22 1/4"H
False Drawer Head Size	17 1/2"W x 6 1/2"H
Cabinet Bottom Panel	34 7/8"W x 23"D x 3/8"T
Back Panel	Open back (no Back Panel)
Shelf	None
Cabinet Inner Dimensions	34 1/2"W x 22 3/4"D x 28 3/4"H
Holes for Roll-Outs	N/A (Open back)

- Drawer is false (non-working), fastened to the face frame.



## SB42

### Face Frame Specifications



	KD / KE / KB / KDC / KDL / KN / KT / KY
a	1 1/2"
b	5 5/32"
c	1 1/2"
d	20 3/8"
e	39"
f	30"
g	18"
h	3"
i	42"

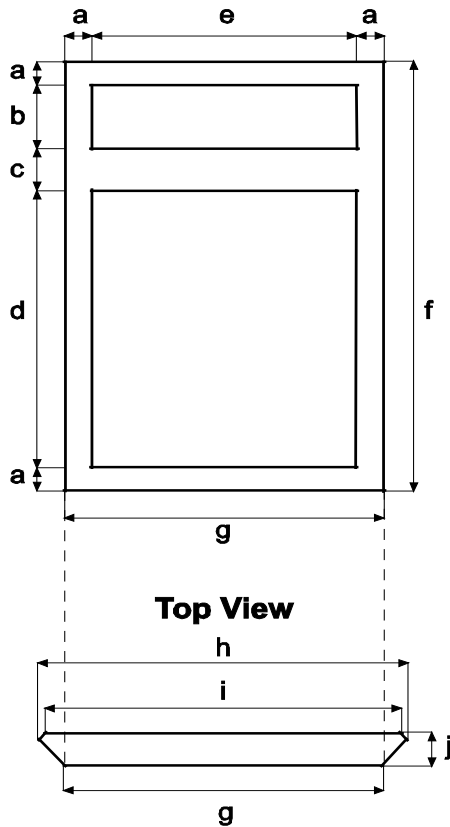
### Parts Specifications

	KD / KE / KB / KDC / KDL / KN / KT / KY
Door Size	20 1/2"W x 22 1/4"H
False Drawer Head Size	20 1/2"W x 6 1/2"H
Cabinet Bottom Panel	40 7/8"W x 23"D x 3/8"T
Back Panel	Open back (no Back Panel)
Shelf	None
Cabinet Inner Dimensions	40 1/2"W x 22 3/4"D x 28 3/4"H
Holes for Roll-Outs	N/A (Open back)

- Drawer is false (non-working), fastened to the face frame.

## CSF36

### Face Frame Specifications



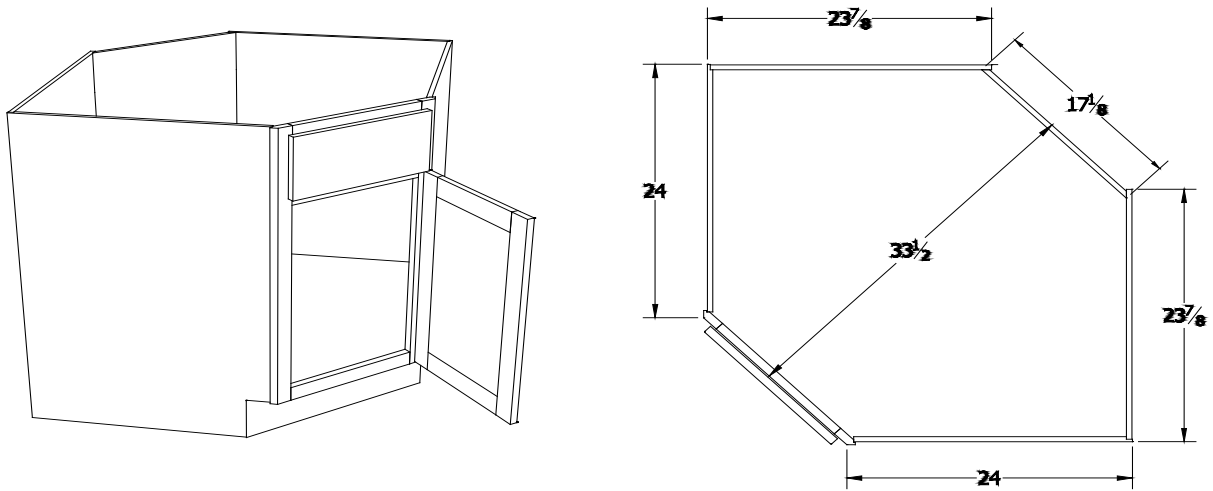
	KD / KE / KB / KDC / KDL / KN / KT / KY
a	1 1/2"
b	5 5/32"
c	1 1/2"
d	20 3/8"
e	14 1/16"
f	30"
g	17"
h	18 1/16"
i	17 11/16"
j	3/4"

### Parts Specifications

	KD / KE / KB / KDC / KDL / KN / KT / KY
Door Size	15"W x 22 1/4"H
Fake Drawer Head Size	15"W x 6 1/2"H

- A 4 1/2" toe kick is included
- A 36" x 36" space is required in the corner to install CSF36
- Floor not included

**DSB36**

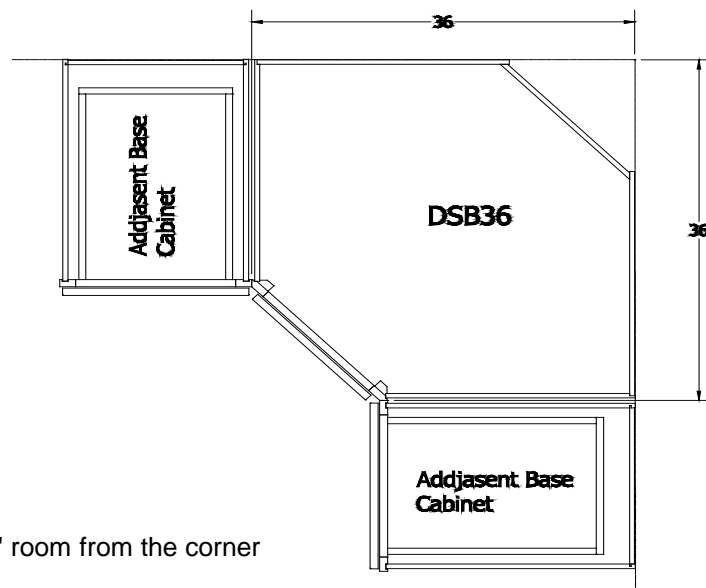


**Parts Specifications**

	KD/ KE/ KS/ KK/ KT/ KY
Door Size	15"W x 22 1/4"H
Drawer Head Size	15"W x 6 1/2"H
Door Opening	14"
Shelf Count	None

- Diagonal Sink Base door is reversible.

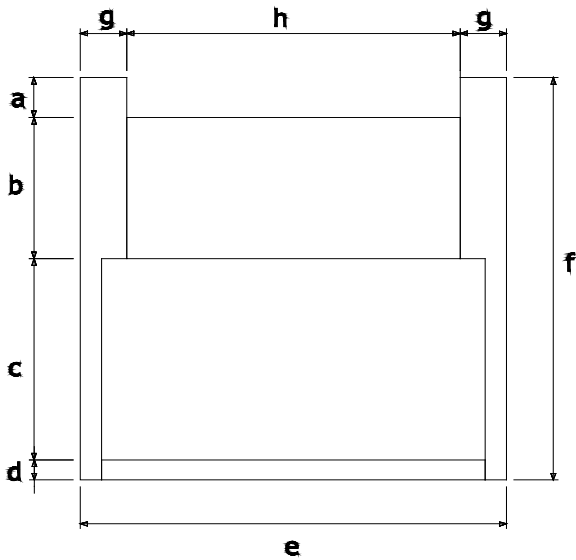
**Installation Information**



- Diagonal Sink Base cabinets require 36" room from the corner in each direction for installation.

## **FSB30B**

### **Face Frame Specifications**



	KD / KE / KB / KDC / KDL / KN / KT / KY
a	3 1/4"
b	10 1/2"
c	15"
d	1 1/2"
e	30"
f	30"
g	3 1/4"
h	23 1/2"

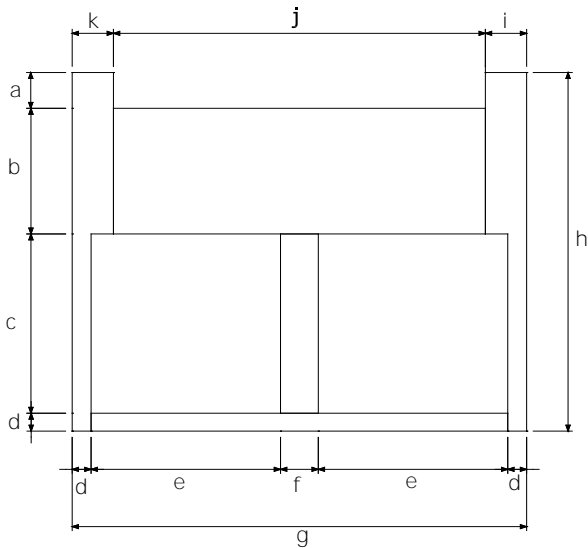
### **Parts Specifications**

	KD / KE / KB / KDC / KDL / KN / KT / KY
Door Size	14 11/16"W x 16 3/4"H
Cabinet Bottom Panel	28 7/8"W x 23"D x 3/8"T
Back Panel	Open back
Shelf	None
Cabinet Inner Dimensions	28 1/2"W x 22 3/4"D x 28 3/4"H
Max Trimmable Opening	27" W x 12" H

\* Refer to sink manufacturer's recommendations for additional sink support

## FSB36

### Face Frame Specifications



	KD / KE / KB / KDC / KDL / KN / KT / KY
a	3 1/4"
b	10 1/2"
c	15"
d	1 1/2"
e	15"
f	3"
g	36"
h	30"
i	3 1/4"
j	29 1/2"
k	3 1/4"

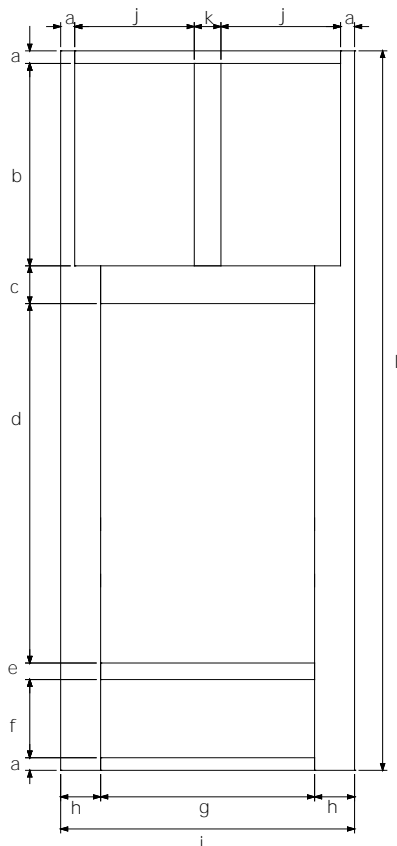
### Parts Specifications

	KD / KE / KB / KDC / KDL / KN / KT / KY
Door Size	17 1/2"W x 16 3/4"H
Cabinet Bottom Panel	34 7/8"W x 23"D x 3/8"T
Back Panel	Open back
Shelf	None
Cabinet Inner Dimensions	34 1/2"W x 22 3/4"D x 28 3/4"H
Max Trimmable Opening	33" W x 12" H

\* Refer to sink manufacturer's recommendations for additional sink support

## COC3384

### Face Frame Specifications



	KD / KE / KB / KDC / KDL / KN / KT / KY
a	1 1/2"
b	18"
c	4 1/2"
d	42 23/32"
e	2"
f	9 9/32"
g	24"
h	4 1/2"
i	33"
j	13 3/8"
k	3"
l	79 1/2"

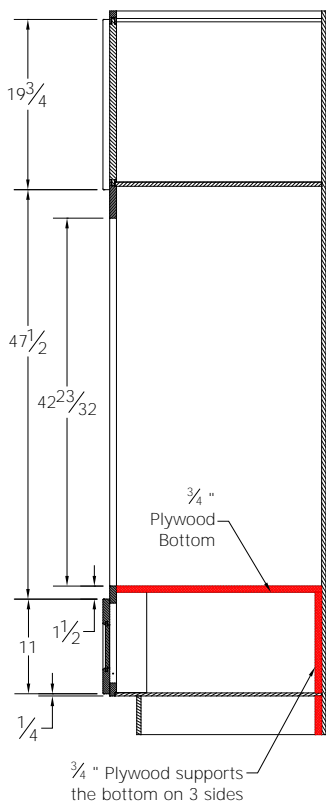
- Minimum cut out size: 24"W x 42 23/32"H
- Maximum cut out size: 30"W x 45 23/32"H

### Parts Specifications

	KD / KE / KB / KDC / KDL / KN / KT / KY
Door Size	16"W x 19 3/4"H
Drawer Head Size	32 1/2"W x 11"H
Back Panel	31 7/8"W x 84"H
Shelf Count	0

### Drawer Box Specifications

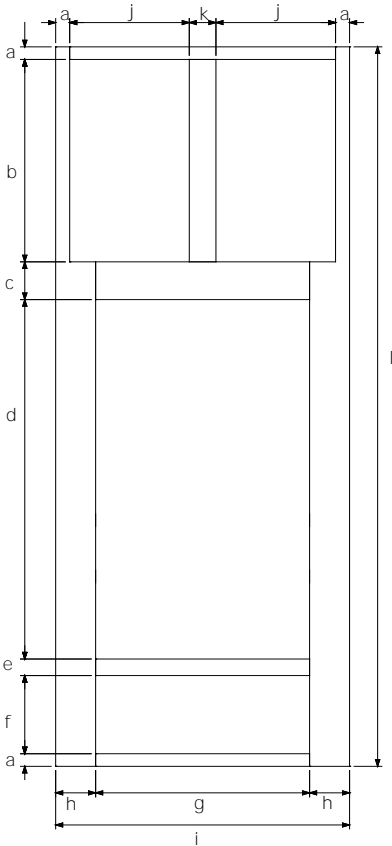
	KD / KE / KB / KDC / KDL / KN / KT / KY
Drawer Inner Dim.	22 1/8"W x 19 3/4"D x 7" H
Drawer Outer Dim.	23 7/16"W x 21 1/8"D x 7 3/4" H
Drawer Bottom Pnl	3/8" Thick



Brand	Req. Cut Out Size
KENMORE Combination Oven	28 1/2" x 44 1/4"
SAMSUNG Combination Oven	28 1/2" x 42 1/4"

## COC3390

### Face Frame Specifications



	KD / KE / KB / KDC / KDL / KN / KT / KY
a	1 1/2"
b	24"
c	4 1/2"
d	42 23/32"
e	2"
f	9 9/32"
g	24"
h	4 1/2"
i	33"
j	13 3/8"
k	3"
l	85 1/2"

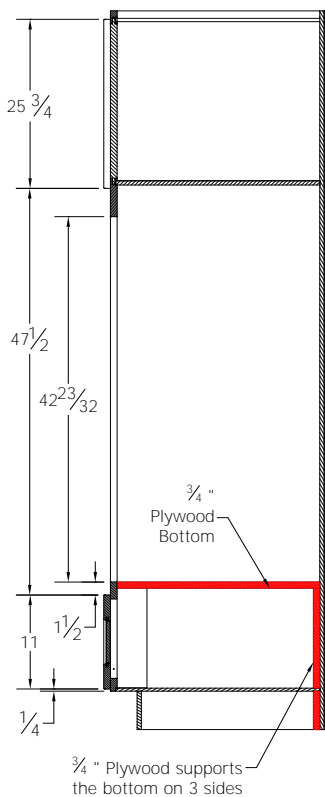
- Minimum cut out size: 24"W x 42 23/32"H
- Maximum cut out size: 30"W x 45 23/32"H

### Parts Specifications

	KD / KE / KB / KDC / KDL / KN / KT / KY
Door Size	16"W x 25 3/4"H
Drawer Head Size	32 1/2"W x 11"H
Back Panel	31 7/8"W x 90"H
Shelf Count	0

### Drawer Box Specifications

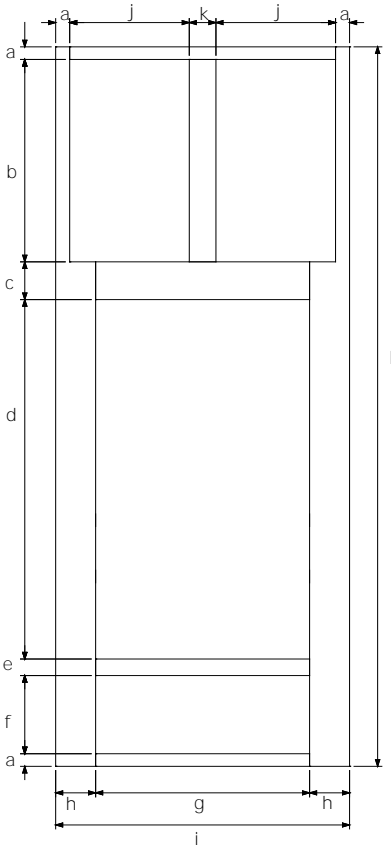
	KD / KE / KB / KDC / KDL / KN / KT / KY
Drawer Inner Dim.	22 1/8"W x 19 3/4"D x 7" H
Drawer Outer Dim.	23 7/16"W x 21 1/8"D x 7 3/4" H
Drawer Bottom Pnl	3/8" Thick



Brand	Req. Cut Out Size
KENMORE Combination Oven	28 1/2" x 44 1/4"
SAMSUNG Combination Oven	28 1/2" x 42 1/4"

## COC3396

### Face Frame Specifications



	KD / KE / KB / KDC / KDL / KN / KT / KY
a	1 1/2"
b	30"
c	4 1/2"
d	42 23/32"
e	2"
f	9 9/32"
g	24"
h	4 1/2"
i	33"
j	13 3/8"
k	3"
l	91 1/2"

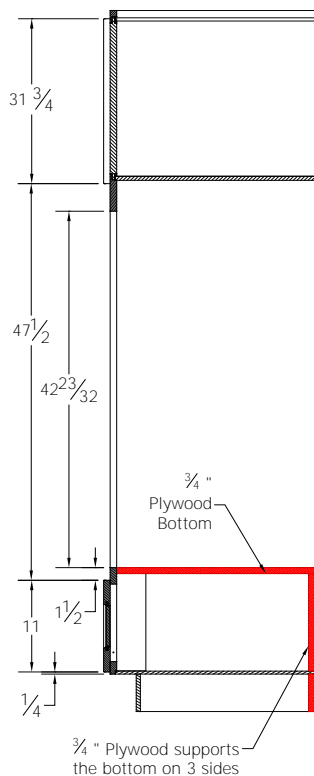
- Minimum cut out size: 24"W x 42 23/32"H
- Maximum cut out size: 30"W x 45 23/32"H

### Parts Specifications

	KD / KE / KB / KDC / KDL / KN / KT / KY
Door Size	16"W x 31 3/4"H
Drawer Head Size	32 1/2"W x 11"H
Back Panel	31 7/8"W x 96"H
Shelf Count	0

### Drawer Box Specifications

	KD / KE / KB / KDC / KDL / KN / KT / KY
Drawer Inner Dim.	22 1/8"W x 19 3/4"D x 7" H
Drawer Outer Dim.	23 7/16"W x 21 1/8"D x 7 3/4" H
Drawer Bottom Pnl	3/8" Thick

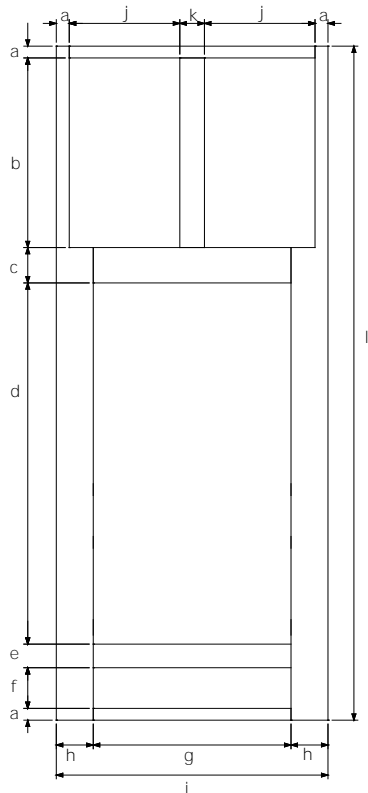


Brand	Req. Cut Out Size
KENMORE Combination Oven	28 1/2" x 44 1/4"
SAMSUNG Combination Oven	28 1/2" x 42 1/4"



## DOC3384

### Face Frame Specifications



	KD / KE / KB / KDC / KDL / KN / KT / KY
a	1 1/2"
b	18"
c	4 1/2"
d	46 1/16"
e	3"
f	4 15/16"
g	24"
h	4 1/2"
i	33"
j	13 3/8"
k	3"
l	79 1/2"

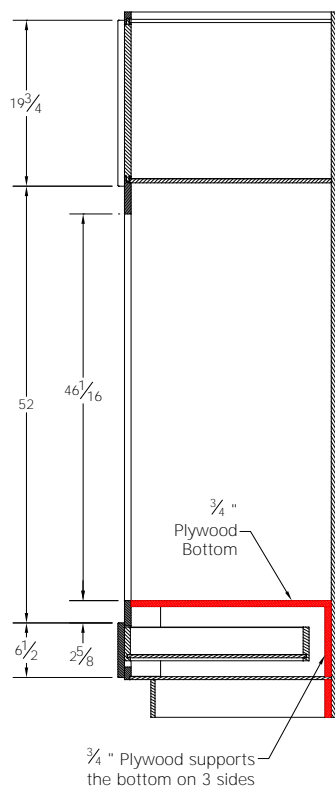
- Minimum cut out size: 24"W x 46 1/16"H
- Maximum cut out size: 30"W x 50 1/2"H

### Parts Specifications

	KD / KE / KB / KDC / KDL / KN / KT / KY
Door Size	16"W x 19 3/4"H
Drawer Head Size	32 1/2"W x 6 1/2"H
Back Panel	31 7/8"W x 84"H
Shelf Count	0

### Drawer Box Specifications

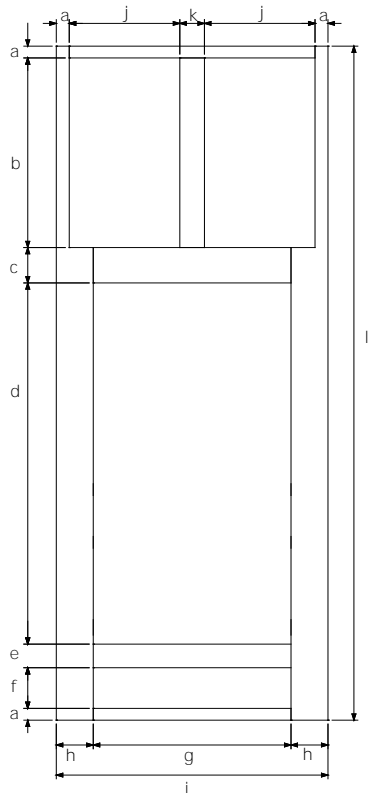
	KD / KE / KB / KDC / KDL / KN / KT / KY
Drawer Inner Dim.	22 1/8"W x 19 3/4"D x 3 1/4" H
Drawer Outer Dim.	23 7/16"W x 21 1/8"D x 4" H
Drawer Bottom Pnl	3/8" Thick



Brand	Req. Cut Out Size
BOSCH Double Oven	28 1/2" x 49 3/4"
BOSCH Combination Oven	28 1/2" x 48 5/8"
KENMORE Double Oven	28 1/2" x 48 7/8"
FRIGEDAIRE Double Oven	28 1/2" x 48 7/8"
WHIRLPOOL Double Oven	28 1/2" x 50 1/4"
SAMSUNG Double Oven	28 1/2" x 50 1/4"

## DOC3390

### Face Frame Specifications



	KD / KE / KB / KDC / KDL / KN / KT / KY
a	1 1/2"
b	24"
c	4 1/2"
d	46 1/16"
e	3"
f	4 15/16"
g	24"
h	4 1/2"
i	33"
j	13 3/8"
k	3"
l	85 1/2"

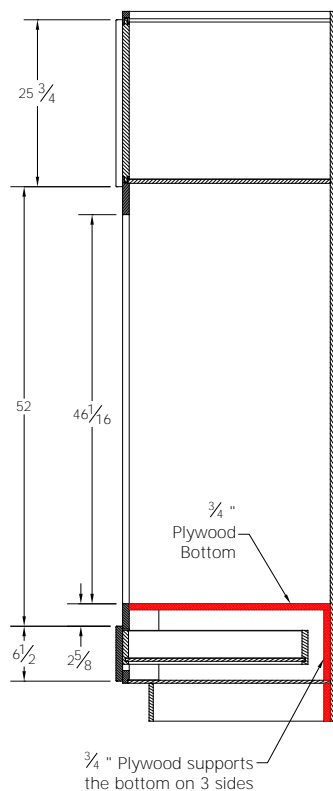
- Minimum cut out size: 24"W x 46 1/16"H
- Maximum cut out size: 30"W x 50 1/2"H

### Parts Specifications

	KD / KE / KB / KDC / KDL / KN / KT / KY
Door Size	16"W x 25 3/4"H
Drawer Head Size	32 1/2"W x 6 1/2"H
Back Panel	31 7/8"W x 90"H
Shelf Count	0

### Drawer Box Specifications

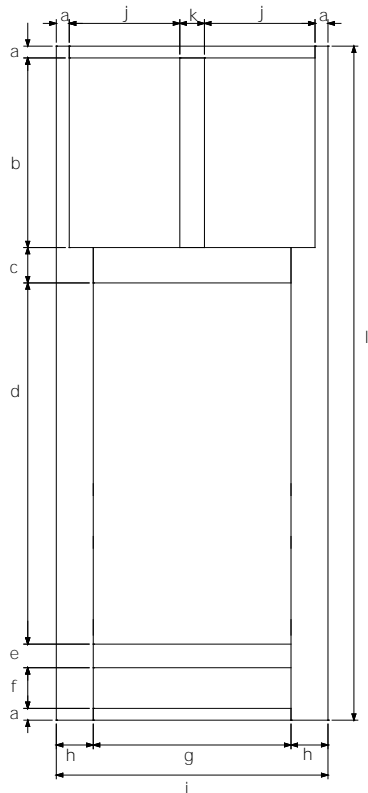
	KD / KE / KB / KDC / KDL / KN / KT / KY
Drawer Inner Dim.	22 1/8"W x 19 3/4"D x 3 1/4" H
Drawer Outer Dim.	23 7/16"W x 21 1/8"D x 4" H
Drawer Bottom Pnl	3/8" Thick



Brand	Req. Cut Out Size
BOSCH Double Oven	28 1/2" x 49 3/4"
BOSCH Combination Oven	28 1/2" x 48 5/8"
KENMORE Double Oven	28 1/2" x 48 7/8"
FRIGEDAIRE Double Oven	28 1/2" x 48 7/8"
WHIRLPOOL Double Oven	28 1/2" x 50 1/4"
SAMSUNG Double Oven	28 1/2" x 50 1/4"

## DOC3396

### Face Frame Specifications



	KD / KE / KB / KDC / KDL / KN / KT / KY
a	1 1/2"
b	30"
c	4 1/2"
d	46 1/16"
e	3"
f	4 15/16"
g	24"
h	4 1/2"
i	33"
j	13 3/8"
k	3"
l	91 1/2"

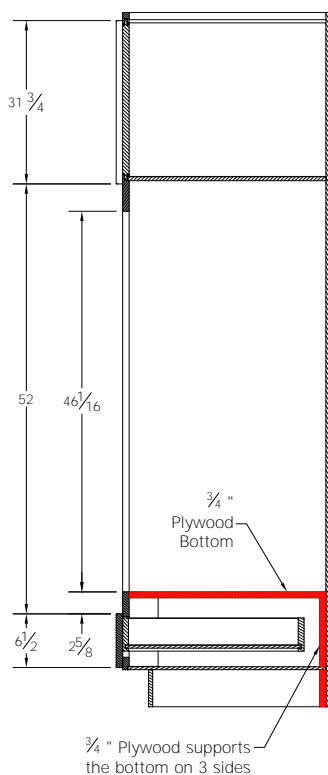
- Minimum cut out size: 24"W x 46 1/16"H
- Maximum cut out size: 30"W x 50 1/2"H

### Parts Specifications

	KD / KE / KB / KDC / KDL / KN / KT / KY
Door Size	16"W x 31 3/4"H
Drawer Head Size	32 1/2"W x 6 1/2"H
Back Panel	31 7/8"W x 96"H
Shelf Count	0

### Drawer Box Specifications

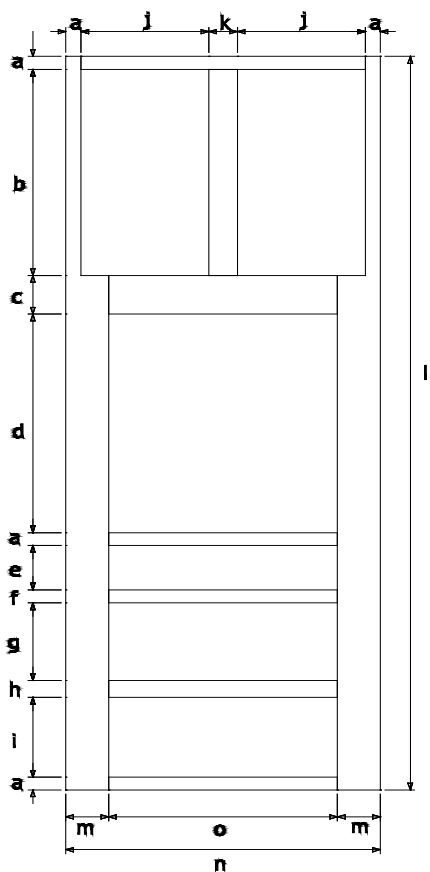
	KD / KE / KB / KDC / KDL / KN / KT / KY
Drawer Inner Dim.	22 1/8"W x 19 3/4"D x 3 1/4" H
Drawer Outer Dim.	23 7/16"W x 21 1/8"D x 4" H
Drawer Bottom Pnl	3/8" Thick



Brand	Req. Cut Out Size
BOSCH Double Oven	28 1/2" x 49 3/4"
BOSCH Combination Oven	28 1/2" x 48 5/8"
KENMORE Double Oven	28 1/2" x 48 7/8"
FRIGIDAIRE Double Oven	28 1/2" x 48 7/8"
WHIRLPOOL Double Oven	28 1/2" x 50 1/4"
SAMSUNG Double Oven	28 1/2" x 50 1/4"

## OC3384

### Face Frame Specifications



	KD / KE / KB / KDC / KDL / KN / KT / KY
a	1 1/2"
b	18"
c	4 1/2"
d	25 1/2"
e	5 5/32"
f	1 1/2"
g	9 1/16"
h	2"
i	9 9/32"
j	13 3/8"
k	3"
l	79 1/2"
m	4 1/2"
n	33"
o	24"

- Maximum single oven size: 30"W x 28"H
- Maximum double oven size: 30"W x 56"H

### Parts Specifications

	KD / KE / KB / KDC / KDL / KN / KT / KY
Door Size	16"W x 19 3/4"H
Top Drawer Head Size	32 1/2"W x 6 1/2"H
Bottom Drawer Head Size	32 1/2"W x 11"H
Back Panel	31 7/8"W x 84"H
Shelf Count	0

### Drawer Box Specifications

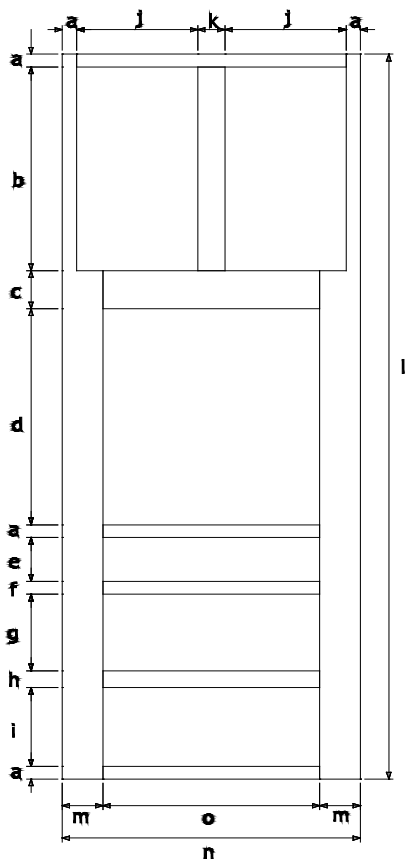
	KD / KE / KB / KDC / KDL / KN / KT / KY
Top Drawer Inner Dim.	22 1/8"W x 19 3/4"D x 3 1/4" H
Bottom Drawer Inner Dim.	22 1/8"W x 19 3/4"D x 7" H
Top Drawer Outer Dim.	23 7/16"W x 21 1/8"D x 4" H
Bottom Drawer Outer Dim.	23 7/16"W x 21 1/8"D x 7 3/4" H
Drawer Bottom Panel	3/8" Thick

\* Bottom and middle drawers are the same size

\*\* Bottom drawers need to be cut out to fit double oven

## OC3390

### Face Frame Specifications



	KD / KE / KB / KDC / KDL / KN / KT / KY
a	1 1/2"
b	24"
c	4 1/2"
d	25 1/2"
e	5 5/32"
f	1 1/2"
g	9 1/16"
h	2"
i	9 9/32"
j	13 3/8"
k	3"
l	85 1/2"
m	4 1/2"
n	33"
o	24"

- Maximum single oven size: 30"W x 28"H
- Maximum double oven size: 30"W x 56"H

### Parts Specifications

	KD / KE / KB / KDC / KDL / KN / KT / KY
Door Size	16"W x 25 3/4"H
Top Drawer Head Size	32 1/2"W x 6 1/2"H
Bottom Drawer Head Size	32 1/2"W x 11"H
Back Panel	31 7/8"W x 90"H
Shelf Count	0

### Drawer Box Specifications

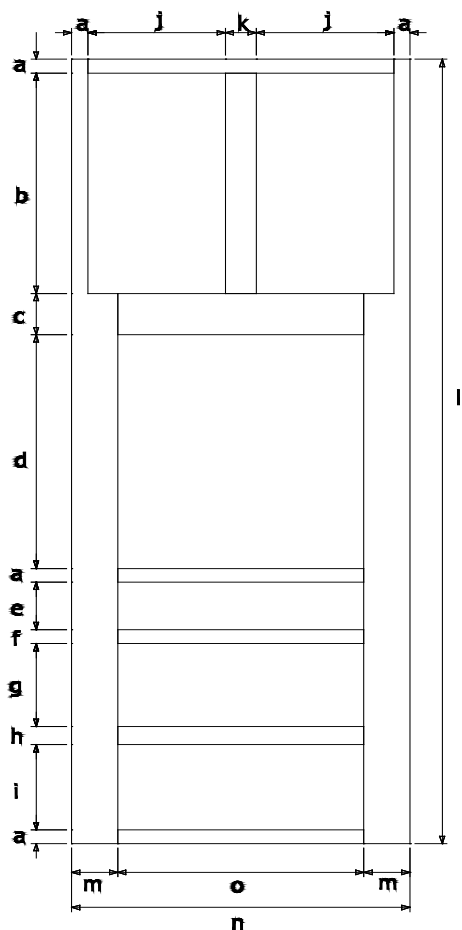
	KD / KE / KB / KDC / KDL / KN / KT / KY
Top Drawer Inner Dim.	22 1/8"W x 19 3/4"D x 3 1/4" H
Bottom Drawer Inner Dim.	22 1/8"W x 19 3/4"D x 7" H
Top Drawer Outer Dim.	32 7/16"W x 21 1/8"D x 4" H
Bottom Drawer Outer Dim.	32 7/16"W x 21 1/8"D x 7 3/4" H
Drawer Bottom Panel	3/8" Thick

\* Bottom and middle drawers are the same size

\*\* Bottom drawers need to be cut out to fit double oven

## OC3396

### Face Frame Specifications



	KD / KE / KB / KDC / KDL / KN / KT / KY
a	1 1/2"
b	30"
c	4 1/2"
d	25 1/2"
e	5 5/32"
f	1 1/2"
g	9 1/16"
h	2"
i	9 9/32"
j	13 3/8"
k	3"
l	91 1/2"
m	4 1/2"
n	33"
o	24"

- Maximum single oven size: 30"W x 28"H
- Maximum double oven size: 30"W x 56"H

### Parts Specifications

	KD / KE / KB / KDC / KDL / KN / KT / KY
Door Size	16"W x 31 3/4"H
Top Drawer Head Size	32 1/2"W x 6 1/2"H
Bottom Drawer Head Size	32 1/2"W x 11"H
Back Panel	31 7/8"W x 90"H
Shelf Count	1 (Full Depth)

### Drawer Box Specifications

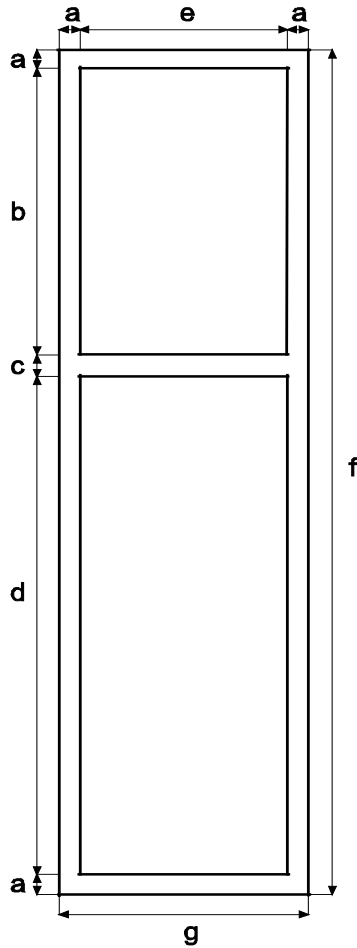
	KD / KE / KB / KDC / KDL / KN / KT / KY
Top Drawer Inner Dim.	22 1/8"W x 19 3/4"D x 3 1/4" H
Bottom Drawer Inner Dim.	22 1/8"W x 19 3/4"D x 7" H
Top Drawer Outer Dim.	32 7/16"W x 21 1/8"D x 4" H
Bottom Drawer Outer Dim.	32 7/16"W x 21 1/8"D x 7 3/4" H
Drawer Bottom Panel	3/8" Thick

\* Bottom and middle drawers are the same size

\*\* Bottom drawers need to be cut out to fit double oven

## WP1884

### *Face Frame Specifications*



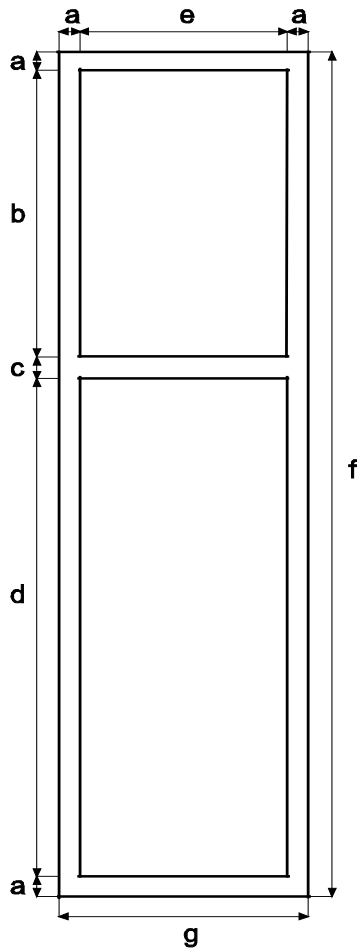
	KD / KE / KB / KDC / KDL / KN / KT / KY
a	1 1/2"
b	27 3/4"
c	1 1/2"
d	47 1/4"
e	15"
f	79 1/2"
g	18"

### *Parts Specifications*

	KD / KE / KB / KDC / KDL / KN / KT / KY
Top Door Size	17 1/2"W x 28 3/4"H (The same as W1830)
Bottom Door Size	17 1/2"W x 49 1/4"H ( The same for WP1884", 90" and 96")
Bottom and Top Panel	16 7/8"W x 23"D
Back Panel	16 7/8"W x 81 3/8"H
Shelf Count	1 on top, 2 on bottom
Shelf Dimensions	16 5/16"W x 22 7/16"D
Top Inner Dimensions	16 1/2"W x 28 1/8"H x 22 3/4"D
Bottom Inner Dimensions	16 1/2"W x 48 1/4"H x 22 3/4"D
Holes for Roll-Outs	16 sets / up to 4 RT

## WP1890

### Face Frame Specifications



	KD / KE / KB / KDC / KDL / KN / KT / KY
a	1 1/2"
b	33 3/4"
c	1 1/2"
d	47 1/4"
e	15"
f	85 1/2"
g	18"

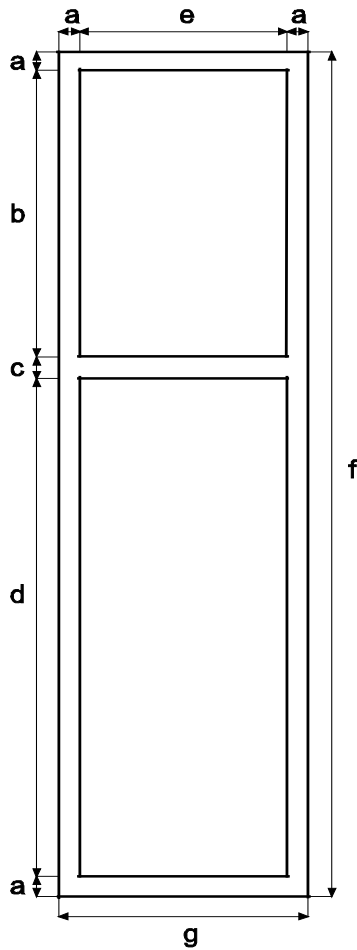
### Parts Specifications

	KD / KE / KB / KDC / KDL / KN / KT / KY
Top Door Size	17 1/2"W x 34 3/4"H (The same as W1836)
Bottom Door Size	17 1/2"W x 49 1/4"H (The same for WP1884", 90" and 96")
Bottom and Top Panel	16 7/8"W x 23"D
Back Panel	16 7/8"W x 87 3/8"H
Shelf Count	1 on top, 2 on bottom
Shelf Dimensions	16 5/16"W x 22 7/16"D
Top Inner Dimensions	16 1/2"W x 34 1/8"H x 22 3/4"D
Bottom Inner Dimensions	16 1/2"W x 48 1/4"H x 22 3/4"D
Holes for Roll-Outs	16 sets / up to 4 RT



## WP1896

### *Face Frame Specifications*



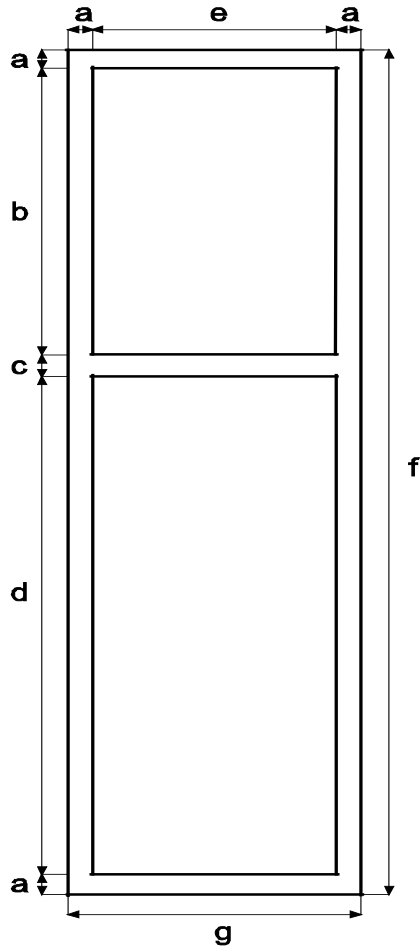
	KD / KE / KB / KDC / KDL / KN / KT / KY
a	1 1/2"
b	39 3/4"
c	1 1/2"
d	47 1/4"
e	15"
f	91 1/2"
g	18"

### *Parts Specifications*

	KD / KE / KB / KDC / KDL / KN / KT / KY
Top Door Size	17 1/2"W x 40 3/4"H (The same as W1836)
Bottom Door Size	17 1/2"W x 49 1/4"H (The same for WP1884", 90" and 96")
Bottom and Top Panel	16 7/8"W x 23"D
Back Panel	16 7/8"W x 93 3/8"H
Shelf Count	2 on top, 2 on bottom
Shelf Dimensions	16 5/16"W x 22 7/16"D
Top Inner Dimensions	16 1/2"W x 40 1/8"H x 22 3/4"D
Bottom Inner Dimensions	16 1/2"W x 48 1/4"H x 22 3/4"D
Holes for Roll-Outs	16 sets / up to 4 RT

## WP2484B

### Face Frame Specifications



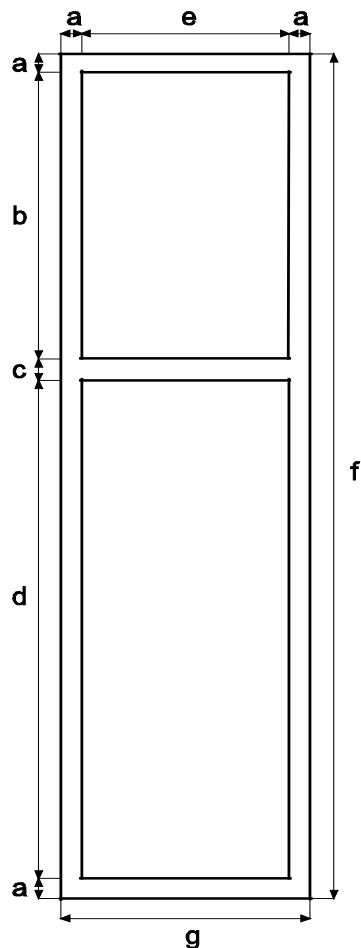
	KD / KE / KB / KDC / KDL / KN / KT / KY
a	1 1/2"
b	27 3/4"
c	1 1/2"
d	47 1/4"
e	21"
f	79 1/2"
g	24"

### Parts Specifications

	KD / KE / KB / KDC / KDL / KN / KT / KY
Top Door Size	11 11/16"W x 28 3/4"H (The same as W2430B)
Bottom Door Size	11 11/16"W x 49 1/4"H (The same for WP2484B", 90" and 96")
Bottom and Top Panel	22 7/8"W x 23"D
Back Panel	22 7/8"W x 81 3/8"H
Shelf Count	1 on top, 2 on bottom
Shelf Dimensions	22 5/16"W x 22 7/16"D
Top Inner Dimensions	22 1/2"W x 28 1/8"H x 22 3/4"D
Bottom Inner Dimensions	22 1/2"W x 48 1/4"H x 22 3/4"D
Holes for Roll-Outs	16 sets / up to 4 RT

## WP2490B

### Face Frame Specifications



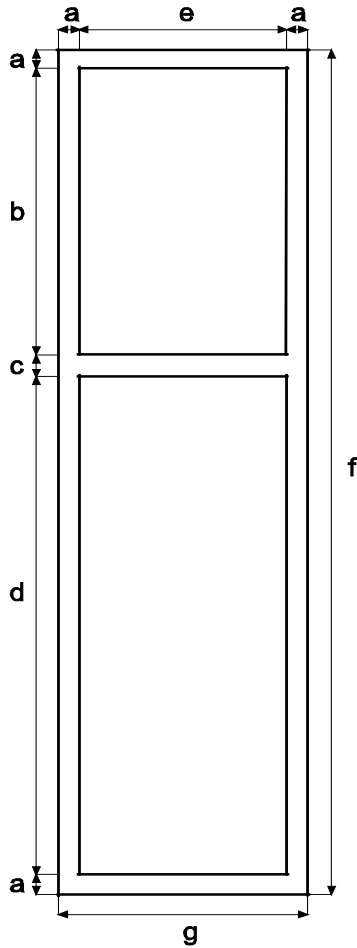
	KD / KE / KB / KDC / KDL / KN / KT / KY
a	1 1/2"
b	33 3/4"
c	1 1/2"
d	47 1/4"
e	21"
f	85 1/2"
g	24"

### Parts Specifications

	KD / KE / KB / KDC / KDL / KN / KT / KY
Top Door Size	11 11/16"W x 34 3/4"H (The same as W2436B)
Bottom Door Size	11 11/16"W x 49 1/4"H ( The same for WP2484B", 90" and 96")
Bottom and Top Panel	22 7/8"W x 23"D
Back Panel	22 7/8"W x 87 3/8"H
Shelf Count	1 on top, 2 on bottom
Shelf Dimensions	22 5/16"W x 22 7/16"D
Top Inner Dimensions	22 1/2"W x 34 1/8"H x 22 3/4"D
Bottom Inner Dimensions	22 1/2"W x 48 1/4"H x 22 3/4"D
Holes for Roll-Outs	16 sets / up to 4 RT

## WP2496B

### Face Frame Specifications



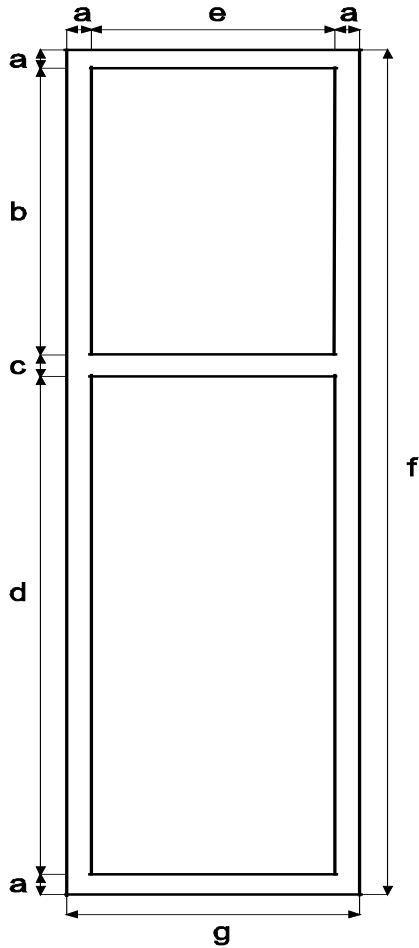
	KD / KE / KB / KDC / KDL / KN / KT / KY
a	1 1/2"
b	39 3/4"
c	1 1/2"
d	47 1/4"
e	21"
f	91 1/2"
g	24"

### Parts Specifications

	KD / KE / KB / KDC / KDL / KN / KT / KY
Top Door Size	11 11/16"W x 40 3/4"H (The same as W2442B)
Bottom Door Size	11 11/16"W x 49 1/4"H ( The same for WP2484B", 90" and 96")
Bottom and Top Panel	22 7/8"W x 23"D
Back Panel	22 7/8"W x 93 3/8"H
Shelf Count	2 on top, 2 on bottom
Shelf Dimensions	22 5/16"W x 22 7/16"D
Top Inner Dimensions	22 1/2"W x 40 1/8"H x 22 3/4"D
Bottom Inner Dimensions	22 1/2"W x 48 1/4"H x 22 3/4"D
Holes for Roll-Outs	16 sets / up to 4 RT

## WP3084B

### Face Frame Specifications



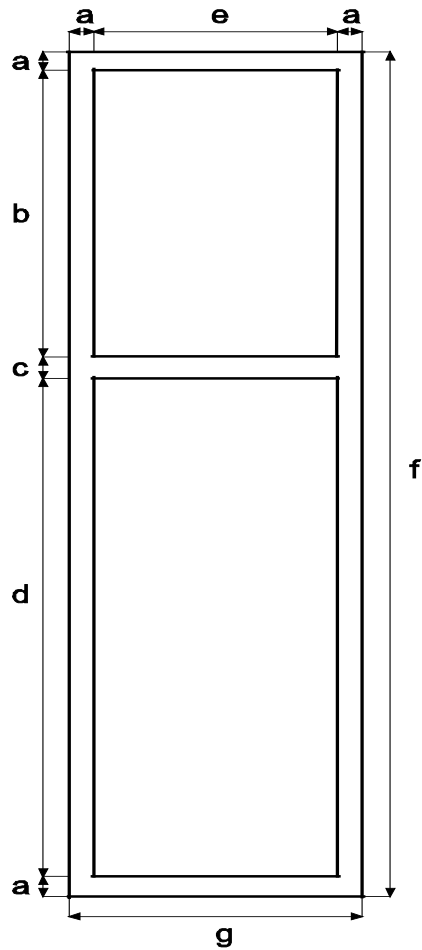
	KD / KE / KB / KDC / KDL / KN / KT / KY
a	1 1/2"
b	27 3/4"
c	1 1/2"
d	47 1/4"
e	27"
f	79 1/2"
g	30"

### Parts Specifications

	KD / KE / KB / KDC / KDL / KN / KT / KY
Top Door Size	14 11/16"W x 28 3/4"H (The same as W3030B)
Bottom Door Size	14 11/16"W x 49 1/4"H ( The same for WP3084B", 90" and 96")
Bottom and Top Panel	28 7/8"W x 23"D
Back Panel	28 7/8"W x 81 3/8"H
Shelf Count	1 on top, 2 on bottom
Shelf Dimensions	28 5/16"W x 22 7/16"D
Top Inner Dimensions	28 1/2"W x 28 1/8"H x 22 3/4"D
Bottom Inner Dimensions	28 1/2"W x 48 1/4"H x 22 3/4"D
Holes for Roll-Outs	16 sets / up to 4 RT

## WP3090B

### Face Frame Specifications



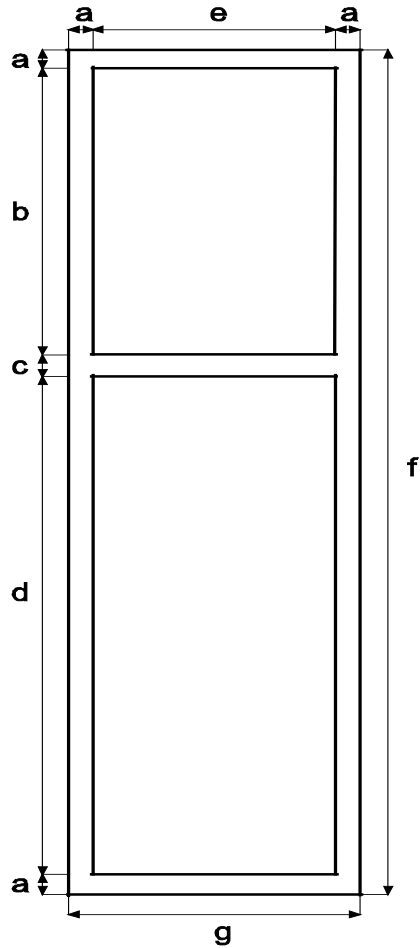
	KD / KE / KB / KDC / KDL / KN / KT / KY
a	1 1/2"
b	33 3/4"
c	1 1/2"
d	47 1/4"
e	27"
f	85 1/2"
g	30"

### Parts Specifications

	KD / KE / KB / KDC / KDL / KN / KT / KY
Top Door Size	14 11/16"W x 34 3/4"H (The same as W3036B)
Bottom Door Size	14 11/16"W x 49 1/4"H ( The same for WP3084B", 90" and 96")
Bottom and Top Panel	28 7/8"W x 23"D
Back Panel	28 7/8"W x 87 3/8"H
Shelf Count	1 on top, 2 on bottom
Shelf Dimensions	28 5/16"W x 22 7/16"D
Top Inner Dimensions	28 1/2"W x 34 1/8"H x 22 3/4"D
Bottom Inner Dimensions	28 1/2"W x 48 1/4"H x 22 3/4"D
Holes for Roll-Outs	16 sets / up to 4 RT

## WP3096B

### *Face Frame Specifications*

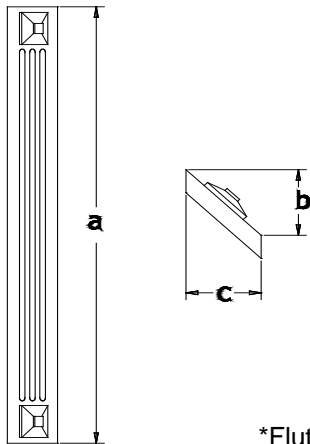


	KD / KE / KB / KDC / KDL / KN / KT / KY
a	1 1/2"
b	39 3/4"
c	1 1/2"
d	47 1/4"
e	27"
f	91 1/2"
g	30"

### *Parts Specifications*

	KD / KE / KB / KDC / KDL / KN / KT / KY
Top Door Size	14 11/16"W x 40 3/4"H (The same as W3042B)
Bottom Door Size	14 11/16"W x 49 1/4"H ( The same for WP3084B", 90" and 96")
Bottom and Top Panel	28 7/8"W x 23"D
Back Panel	28 7/8"W x 93 3/8"H
Shelf Count	2 on top, 2 on bottom
Shelf Dimensions	28 5/16"W x 22 7/16"D
Top Inner Dimensions	28 1/2"W x 40 1/8"H x 22 3/4"D
Bottom Inner Dimensions	28 1/2"W x 48 1/4"H x 22 3/4"D
Holes for Roll-Outs	16 sets / up to 4 RT

**AF**



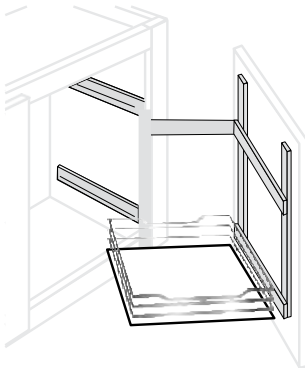
\*Fluted

	a	b	c
AF330F*	30"	3"	3"
AF336F*	36"	3"	3"
AF342F*	42"	3"	3"

- Solid wood

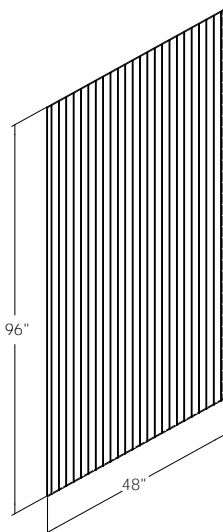
**APPULL**

Width	Depth	Height
13	19	14 <sup>3</sup> / <sub>4</sub>



- Minimum cabinet opening width: 15 in
- Adjustable door mount brackets for perfect fit
- Designed for 24 in. deep wall cabinetry
- Minimum cabinet height: 15 in.
- Reversible design; attaches to either side of cabinet

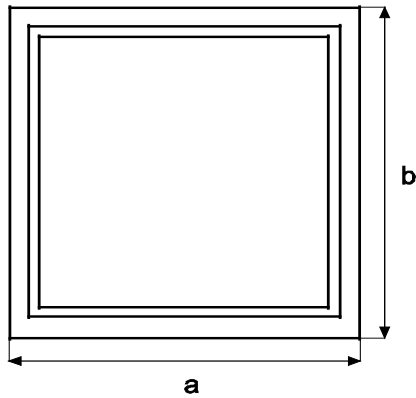
**BBPQTR**



- Thickness: 1/4"
- Plywood with wood veneer
- Edges are not finished
- Finished one side
- 2" space between grooves

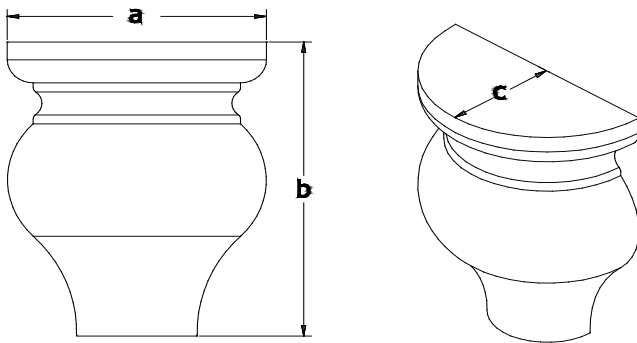


**BDEC**



KD / KE / KB / KDC / KDL / KN / KT / KY	
a	b
23 3/4"	29"

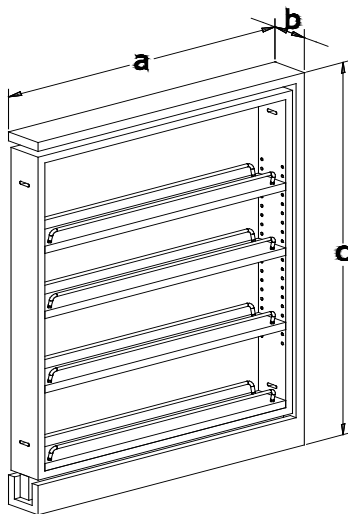
**BF**



a	b	c
3 1/2"	4 1/2"	1 3/4"

- Solid wood

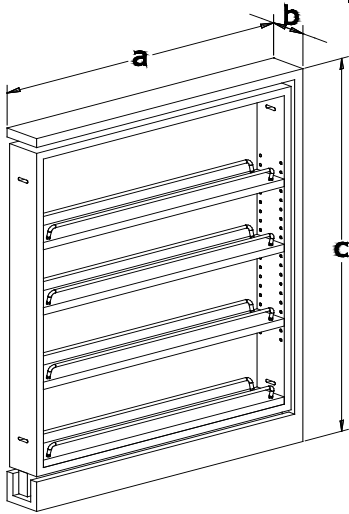
**BF3PULL**



a	b	c
23"	3"	30"

- 3 Adjustable shelves with chrome rails
- 3" Base Filler Pull-Out
- Comes fully assembled ready to be installed in-between cabinets

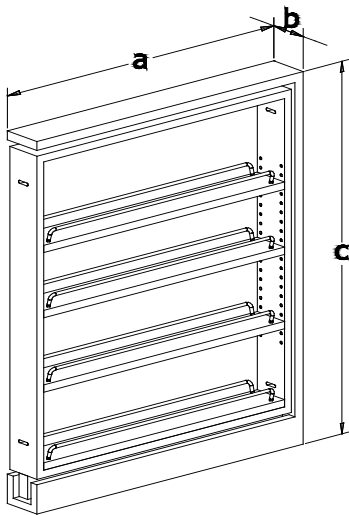
**BF3PULL-SFTCLOSE**



a	b	c
23"	3"	30"

- 3 Adjustable shelves with chrome rails
- 3" Base Filler Pull-Out
- Comes fully assembled ready to be installed in-between cabinets
- Full-extension, soft-close ball bearing slides

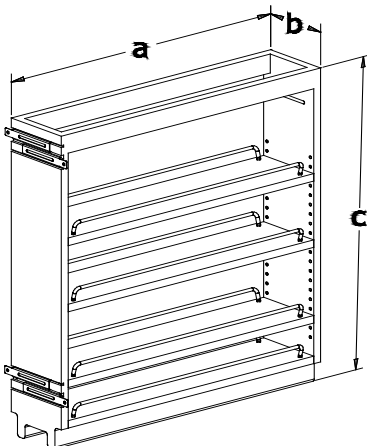
**BF6PULL-SFTCLOSE**



a	b	c
23"	6"	30"

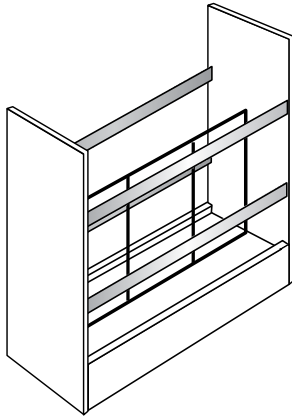
- 3 Adjustable shelves with chrome rails
- 6" Base Filler Pull-Out
- Comes fully assembled ready to be installed in-between cabinets
- Full-extension, soft-close ball bearing slides

**BF09PULL**



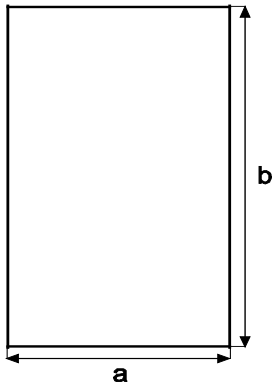
a	b	c
19"	5"	25 1/2"

**TRAYDIVPO**



Width	Depth	Height
5 <sup>15</sup> / <sub>16</sub> "	21 <sup>5</sup> / <sub>8</sub> "	19 <sup>1</sup> / <sub>2</sub> "

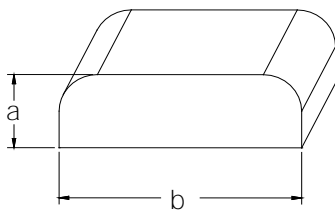
**BSKIN**



KD / KE / KB / KDC / KDL / KN / KT / KY	
a	b
23 <sup>5</sup> / <sub>8</sub> "	34 <sup>1</sup> / <sub>2</sub> "

- Thickness: 1/4"
- Plywood with wood veneer
- Edges are not finished
- Finished one side

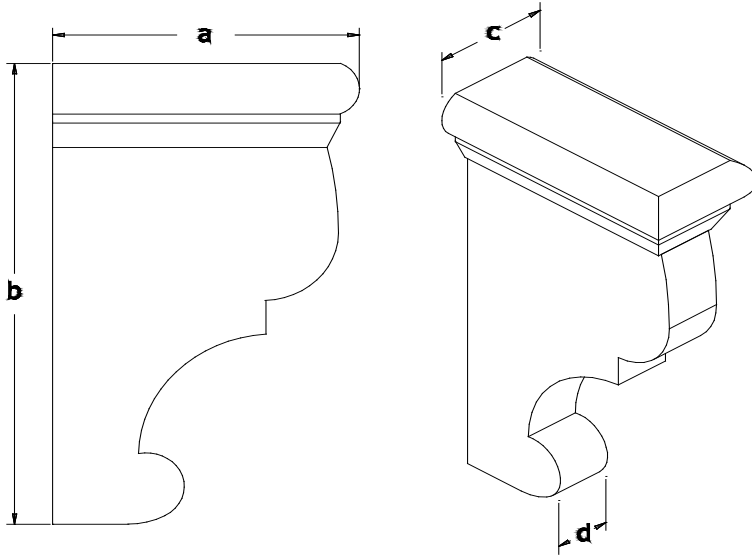
**BTM8**



a	b
1/4"	3/4"

- Length: 8'
- Solid wood

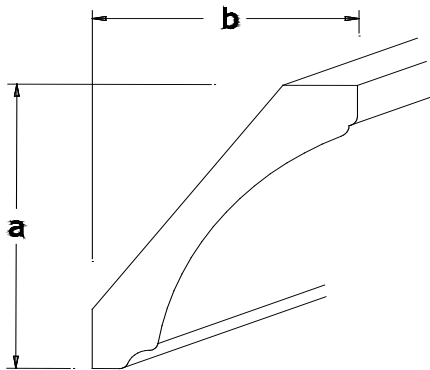
**CB**



a	b	c	d
6 <sup>3</sup> / <sub>8</sub> "	10 <sup>3</sup> / <sub>4</sub> "	2 <sup>7</sup> / <sub>8</sub> "	1 <sup>3</sup> / <sub>8</sub> "

- Solid wood

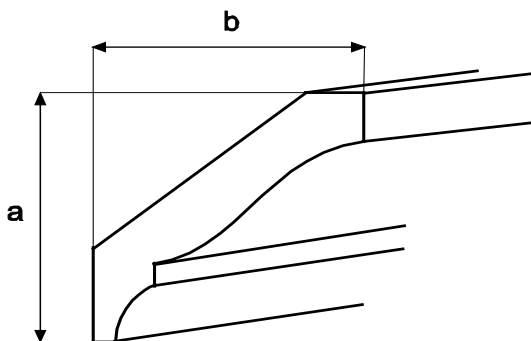
**CCM8**



a	b
2 <sup>3</sup> / <sub>4</sub> "	2 <sup>1</sup> / <sub>4</sub> "

- Length: 8'
- Solid wood

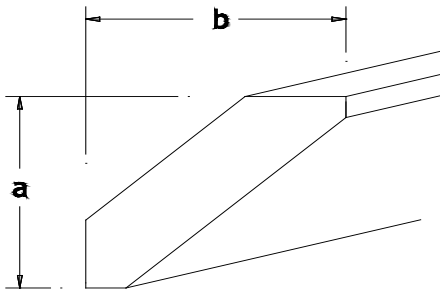
**CM8-T**



a	b
2 <sup>1</sup> / <sub>8</sub> "	1 <sup>3</sup> / <sub>4</sub> "

- Length: 8'
- Solid wood

**CM8-S**



a	b
2"	3"

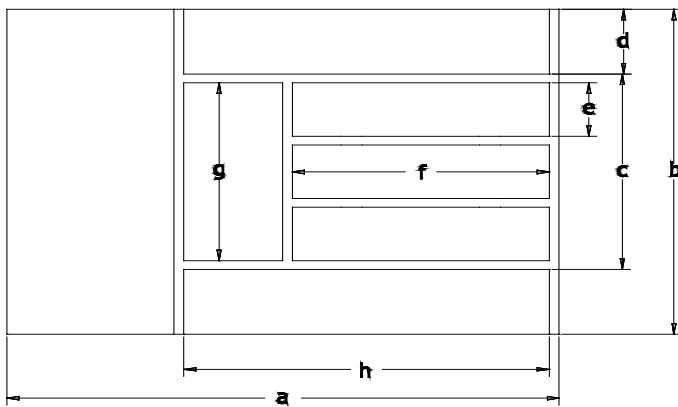
- Length: 8'
- Solid wood

**CTP3**



a	b	c	d
3"	34 1/2"	9 3/8"	4 3/8"

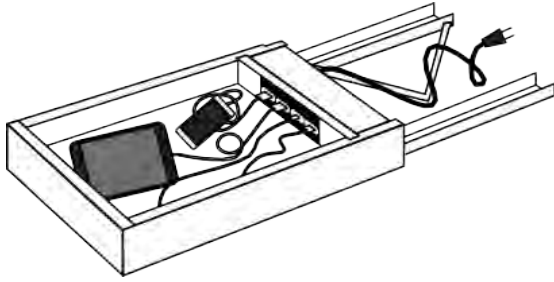
**CUTTRAY**



a	22"
b	14 5/8"
c	8 3/4"
d	2 7/8"
e	2 3/8"
f	10 1/4"
g	8"
h	14 5/8"

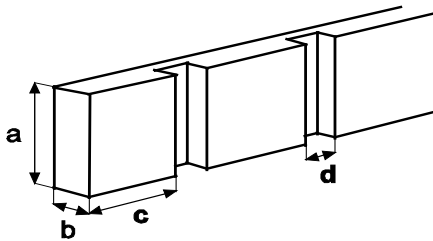
- Trimming is required: B18/B36 13 1/8"W x 19 3/4"D
- Height is 2 7/8"

## CHGDR18



Width	Depth	Height
14 <sup>7</sup> / <sub>16</sub> "	22"	3 <sup>3</sup> / <sub>4</sub> "

- Full-extension, TANDEM, 110 lb. rated, concealed slides with BLUMOTION soft-close
- In-drawer receptacle with two 120V plugs and two 2.1 amp USB ports
- Includes power cord with NEMA 5 - 15 plug
- Integrated cord guide to ensure safe operation
- Designed for face frame 18" base cabinet drawers
- Max Current: AC: 12 amps @ 120VAC; USB 2.1 amp & 5 VDC
- Shock absorbent mat, black
- Tamper resistant outlets
- UL Recognized to UL962/CSA-C22.2 No. 0-10

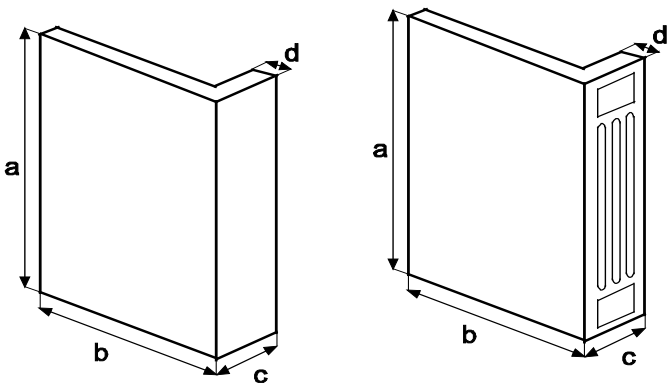


## DM4

KD / KE / KB / KDL / KT / KY				KDC / KN
a	b	c	d	N/A
3/4"	1/4"	9/16"	1/4"	N/A

- Length: 4'
- Solid wood
- Fits on LCM8

## DWR

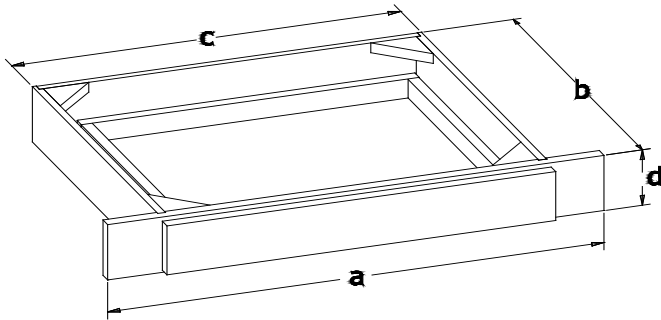


	a	b	c	d
DWR3	34 1/2"	24"	3"	3/4"
DWR3F*	34 1/2"	24"	3"	3/4"

- Solid wood front, 1/2" plywood with wood veneer side

\*Fluted

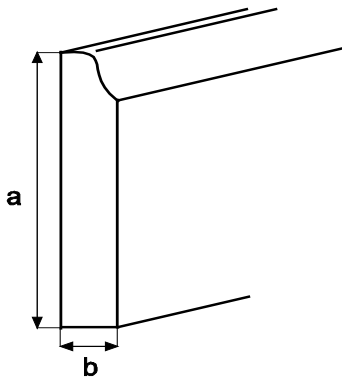
**DU3021**



a	b	c	d
30"	21"	23 1/2"	4"

- Drawer head size 20 1/2" x 18 1/2"
- Can be trim down to 24"
- Solid wood front, 1/2" plywood with wood veneer sides
- Drawer box & Glides match the door style.
- Drawer box inside dim. 19"W X 16 5/8"D X 1 1/2"H
- Drawer box outside dim. 20 7/16"W x 18"D x 2 5/32"H

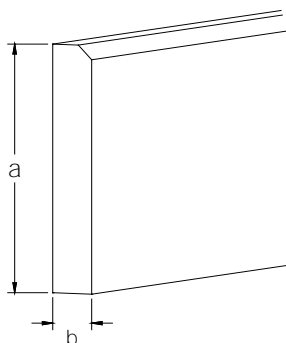
**FBM8-T**



a	b
4 1/2"	3/4"

- Length: 8'
- Solid wood

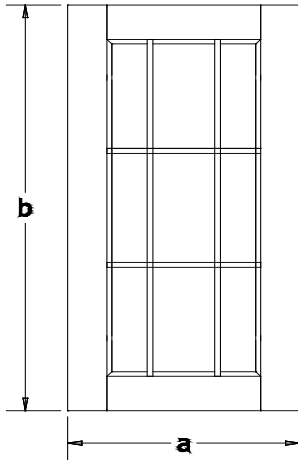
**FBM8-S**



a	b
4 1/2"	3/4"

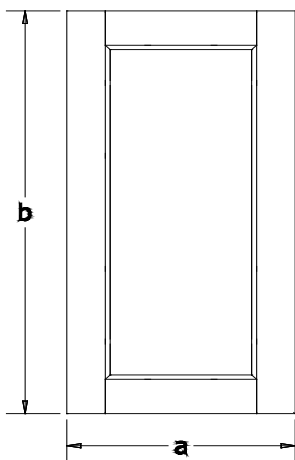
- Length: 8'
- Solid wood

## GLASS DOORS WITH MULLION



	KK / KT / KY / KB	
	a	b
W1530GD	14 1/2"	28 3/4"
W1536GD	14 1/2"	34 3/4"
W1542GD	14 1/2"	40 3/4"
W1830GD	17 1/2"	28 3/4"
W1836GD	17 1/2"	34 3/4"
W1842GD	17 1/2"	40 3/4"
W3030BGD	14 11/16"	28 3/4"
W3036BGD	14 11/16"	34 3/4"
W3042BGD	14 11/16"	40 3/4"
WDC2430GD	15"	28 3/4"
WDC2436GD	15"	34 3/4"
WDC2736GD	15"	34 3/4"
WDC2442GD	15"	40 3/4"
WDC2742GD	15"	40 3/4"

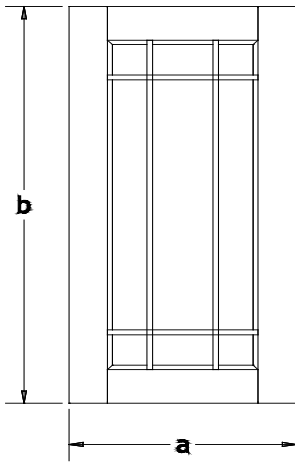
## GLASS DOORS SHAKER (NO MULLION)



	KD / KE / KDL / KDC / KN	
	a	b
W1530GD	14 1/2"	28 3/4"
W1536GD	14 1/2"	34 3/4"
W1542GD	14 1/2"	40 3/4"
W1830GD	17 1/2"	28 3/4"
W1836GD	17 1/2"	34 3/4"
W1842GD	17 1/2"	40 3/4"
W3030BGD	14 11/16"	28 3/4"
W3036BGD	14 11/16"	34 3/4"
W3042BGD	14 11/16"	40 3/4"
WDC2430GD	15"	28 3/4"
WDC2436GD	15"	34 3/4"
WDC2736GD	15"	34 3/4"
WDC2442GD	15"	40 3/4"
WDC2742GD	15"	40 3/4"



## PRERIE GLASS DOORS



	a	b
W1530PGD	14 1/2"	28 3/4"
W1536PGD	14 1/2"	34 3/4"
W1542PGD	14 1/2"	40 3/4"
W1830PGD	17 1/2"	28 3/4"
W1836PGD	17 1/2"	34 3/4"
W1842PGD	17 1/2"	40 3/4"
W3030BPGD	14 11/16"	28 3/4"
W3036BPGD	14 11/16"	34 3/4"
W3042BPGD	14 11/16"	40 3/4"
WDC2430PGD	15"	28 3/4"
WDC2436PGD	15"	34 3/4"
WDC2736PGD	15"	34 3/4"
WDC2442PGD	15"	40 3/4"
WDC2742PGD	15"	40 3/4"

## GLAZESTICK

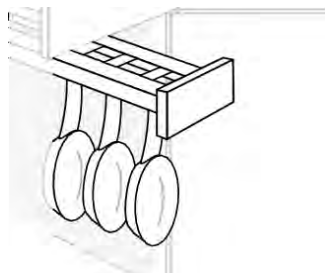
Glaze Stain Marker

Touch-up kits are also available, please see TUK

## GLDPULL

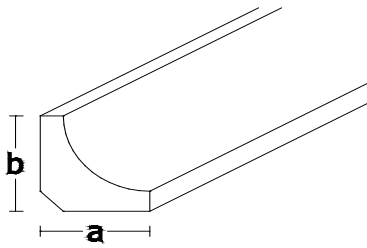


Width	Depth	Height
13	19	14 3/4



- Designed for 22" cabinet depths
- Heavy duty, side mount ball bearing slides, 100lb rating
- Includes (7) hooks
- Installs with just (4) screws
- Mounts to cabinet top and rear
- Solid wood construction, maple

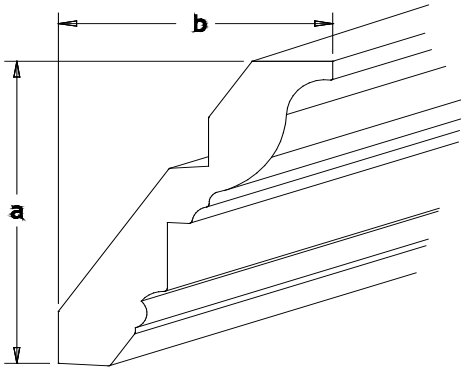
**ICM8**



a	b
3/4"	3/4"

- Length: 8'
- Solid wood

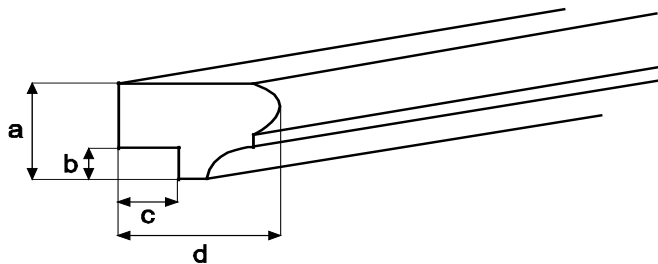
**LCM8**



a	b
3 1/2"	3"

- Length: 8'
- Solid wood
- Accept RM8
- Accept DM4

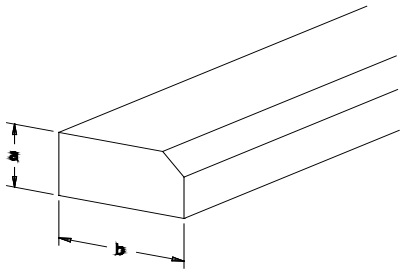
**LRM8-T**



a	b	c	d
1 1/16"	5/16"	3/4"	1 1/2"

- Length: 8'
- Solid wood

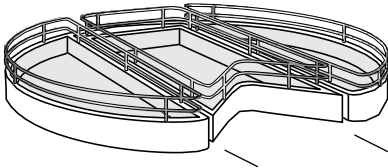
**LRM8-S**



a	b
$\frac{3}{4}$ "	$1 \frac{1}{2}$ "

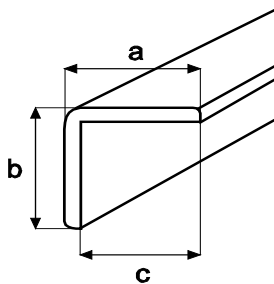
- Length: 8'
- Solid wood

**LSDR**



- Rotates 360 degrees and has full extension drawer
- $4 \frac{1}{2}$  in. outer rim height helps prevent items from falling out
- Heavy duty cast aluminum ball bearing swivel.
- Designed to fit LS36
- 30" diameter with  $10 \frac{7}{8}$ " wide drawer

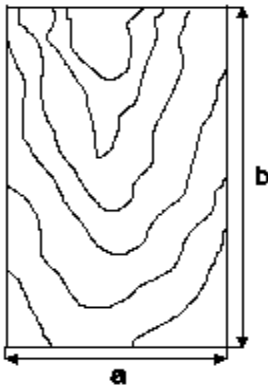
**OM8**



a	b	c
$\frac{3}{4}$ "	$\frac{3}{4}$ "	$\frac{9}{16}$ "

- Thickness:  $\frac{3}{16}$ "
- Length: 8'
- Solid wood

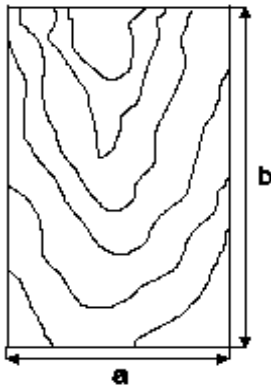
**PQTR**



a	b
48"	96"

- Thickness: 1/4"
- Plywood with wood veneer
- Edges are not finished
- Finished one side only
- Wood grain runs lengthwise (8' way)

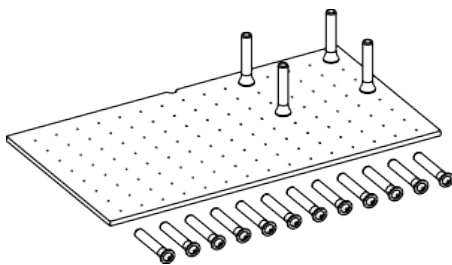
**PHLF**



a	b
48"	96"

- Thickness: 1/2"
- Plywood with wood veneer
- Edges are not finished
- Finished both side
- One side is matching the exterior of cabinet
- The other side is matching the interior of cabinet
- Wood grain runs lengthwise

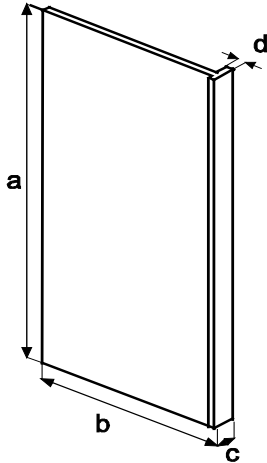
**PS39**



Width	Depth	Height
39 <sup>1</sup> / <sub>4</sub>	21 <sup>1</sup> / <sub>4</sub>	6 <sup>5</sup> / <sub>8</sub>

- 16 pegs included
- Can be trimmed to exact size with table saw
- Constructed of maple that is UV cured
- Perfect for dishes or other platters

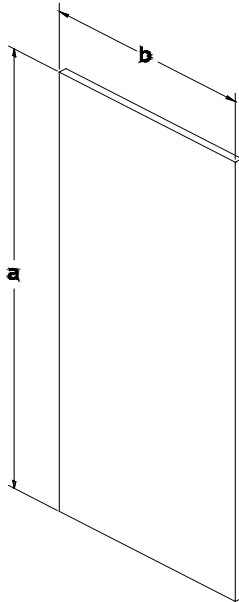
**REF**



	a	b	c	d
REF84	84"	24"	1 1/2"	3/4"
REF96	96"	24"	1 1/2"	3/4"

- Solid wood front, 1/2" plywood with wood veneer side
- Reveal is 3/16"

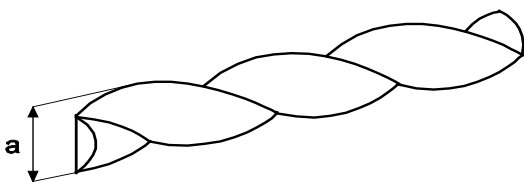
**REF3096**



a	b
96"	30"

- Thickness: 3/4"
- Plywood with wood veneer
- Front is edge banded
- Finished three side

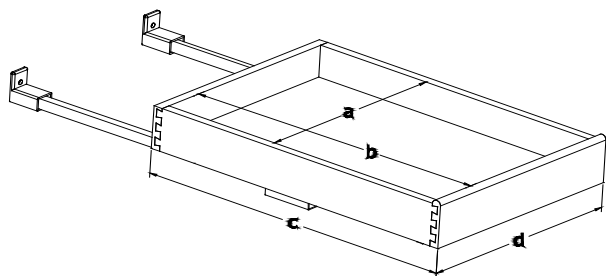
**RM8**



a
3/4"

- Thickness: 5/16"
- Length: 8'
- Solid wood
- Fits on LCM8

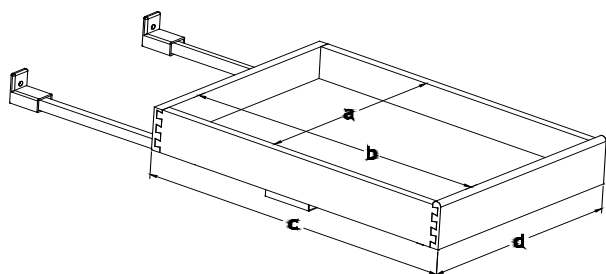
### RT



	a	b	c	d
RT15	9 <sup>7</sup> / <sub>8</sub> "	19 <sup>5</sup> / <sub>16</sub> "	20 <sup>1</sup> / <sub>2</sub> "	11 <sup>1</sup> / <sub>16</sub> "
RT18	12 <sup>7</sup> / <sub>8</sub> "	19 <sup>5</sup> / <sub>16</sub> "	20 <sup>1</sup> / <sub>2</sub> "	14 <sup>1</sup> / <sub>16</sub> "
RT21	15 <sup>7</sup> / <sub>8</sub> "	19 <sup>5</sup> / <sub>16</sub> "	20 <sup>1</sup> / <sub>2</sub> "	17 <sup>1</sup> / <sub>16</sub> "
RT24	18 <sup>7</sup> / <sub>8</sub> "	19 <sup>5</sup> / <sub>16</sub> "	20 <sup>1</sup> / <sub>2</sub> "	20 <sup>1</sup> / <sub>16</sub> "
RT27	21 <sup>7</sup> / <sub>8</sub> "	19 <sup>5</sup> / <sub>16</sub> "	20 <sup>1</sup> / <sub>2</sub> "	23 <sup>1</sup> / <sub>16</sub> "
RT30	24 <sup>7</sup> / <sub>8</sub> "	19 <sup>5</sup> / <sub>16</sub> "	20 <sup>1</sup> / <sub>2</sub> "	26 <sup>1</sup> / <sub>16</sub> "

- Solid wood
- Epoxy coated undermount glides, <sup>3</sup>/<sub>4</sub> extension
- Inner drawer depth is 2 <sup>1</sup>/<sub>4</sub>"
- Drawer height is 3"
- Sold separately

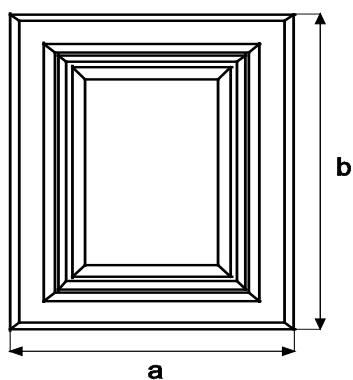
### SCRT



	a	b	c	d
RT15	9 <sup>5</sup> / <sub>16</sub> "	19 <sup>3</sup> / <sub>4</sub> "	21 <sup>1</sup> / <sub>8</sub> "	10 <sup>11</sup> / <sub>16</sub> "
RT18	12 <sup>5</sup> / <sub>16</sub> "	19 <sup>3</sup> / <sub>4</sub> "	21 <sup>1</sup> / <sub>8</sub> "	13 <sup>11</sup> / <sub>16</sub> "
RT21	15 <sup>5</sup> / <sub>16</sub> "	19 <sup>3</sup> / <sub>4</sub> "	21 <sup>1</sup> / <sub>8</sub> "	16 <sup>11</sup> / <sub>16</sub> "
RT24	18 <sup>5</sup> / <sub>16</sub> "	19 <sup>3</sup> / <sub>4</sub> "	21 <sup>1</sup> / <sub>8</sub> "	19 <sup>11</sup> / <sub>16</sub> "
RT27	21 <sup>5</sup> / <sub>16</sub> "	19 <sup>3</sup> / <sub>4</sub> "	21 <sup>1</sup> / <sub>8</sub> "	22 <sup>11</sup> / <sub>16</sub> "
RT30	24 <sup>5</sup> / <sub>16</sub> "	19 <sup>3</sup> / <sub>4</sub> "	21 <sup>1</sup> / <sub>8</sub> "	25 <sup>11</sup> / <sub>16</sub> "

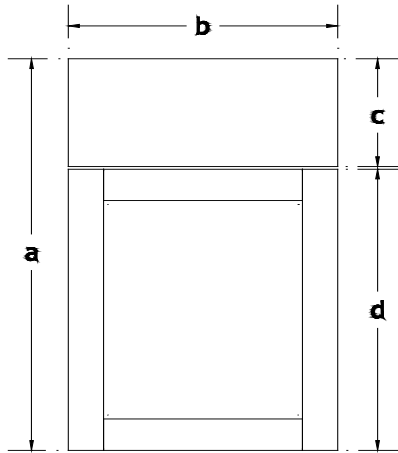
- Solid wood
- Under mount, soft close, full extension glides
- Inner drawer depth is 2 <sup>1</sup>/<sub>4</sub>"
- Drawer height is 3"
- Sold separately

### SD



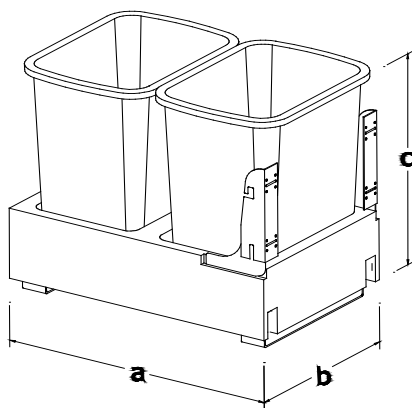
a	b
12 <sup>3</sup> / <sub>4</sub> "	15 <sup>3</sup> / <sub>4</sub> "

**SDDR**



a	b	c	d
23 1/2"	14 1/2"	6 1/2"	17"

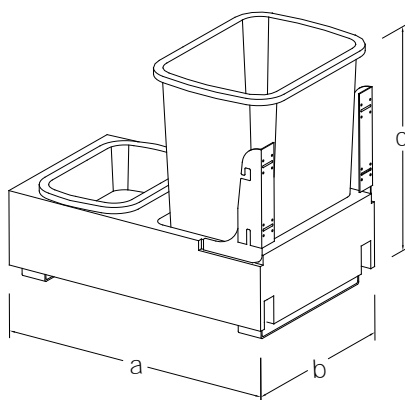
**SFTTRASHPO18**



- Double 35 Quart Waste Container with Rev-A-Motion Slides
- 150lb. full-extension ball-bearing slides
- Rev-A-Motion Soft-Open/Soft-Close technology
- Door mount kit included

a	b	c
21 3/4"	14 1/4"	19 1/4"

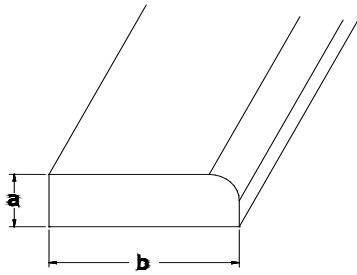
**SFTTRASHPO15**



- Single 35 Quart Waste Container with Rev-A-Motion Slides
- 150lb. full-extension ball-bearing slides
- Rev-A-Motion Soft-Open/Soft-Close technology
- Door mount kit included

a	b	c
21 5/8"	14 1/4"	19 1/4"

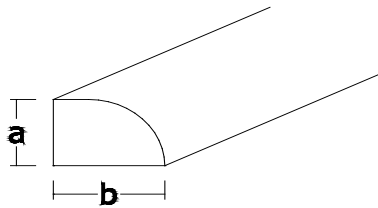
**SM8**



a	b
1/4"	3/4"

- Length: 8'
- Solid wood

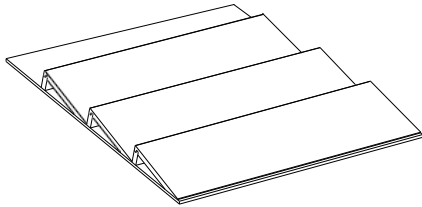
**SHM8**



a	b
1/2"	3/4"

- Length: 8'
- Solid wood

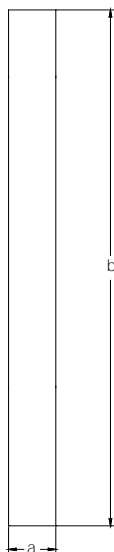
**SPICETRAY**



Width	Depth	Height
16	19 1/2	1 1/2

- Can be trimmed to exact size with table saw
- Constructed of maple that is UV cured

**CTP3**



a	b	c	d
3"	34 1/2"	9 3/8"	4 3/8"



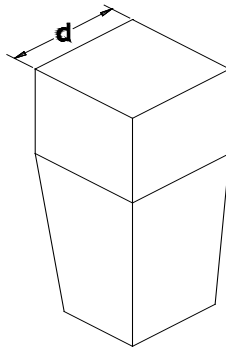
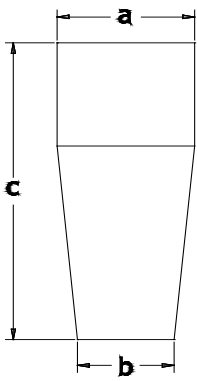
## Tall Filler



	a	b	c
TF1.596	96"	1.5"	$\frac{3}{4}$ "
TF396	96"	3"	$\frac{3}{4}$ "
TF696	96"	6"	$\frac{3}{4}$ "

- Solid wood

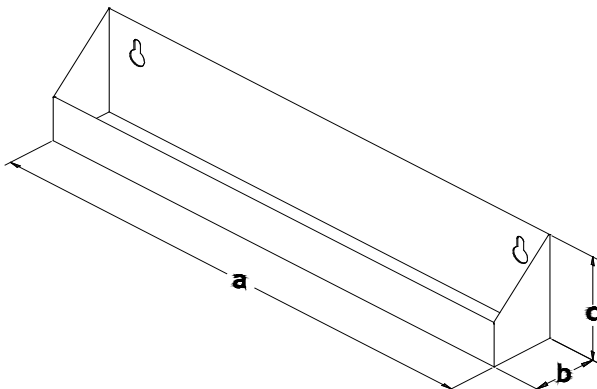
## TF



a	b	c	c
$1 \frac{7}{8}$ "	$1 \frac{1}{4}$ "	$4 \frac{1}{2}$ "	$1 \frac{7}{8}$ "

- Solid wood

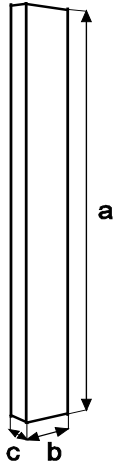
## TILT



	a	b	c
SB30TILT	25"	$1 \frac{11}{16}$ "	3"
SB33TILT	$11 \frac{1}{4}$ "	$1 \frac{11}{16}$ "	3"
SB36TILT	13"	$1 \frac{11}{16}$ "	3"

- Stainless Steel
- SB30 takes one tilt
- SB36/SB33 take two tilts

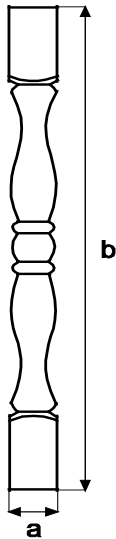
**TK8**



a	b	c
96"	4 1/2"	1/2"

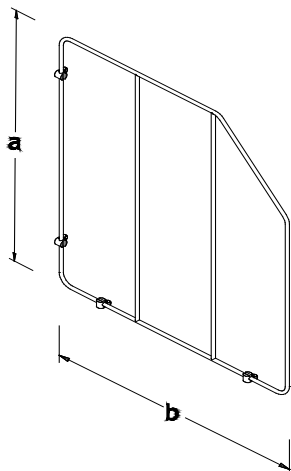
- 1/2" Plywood with wood veneer on front side
- Edge banded and finish on two small sides

**TP3**



a	b
3"	34 1/2"

**TRAYDIV**

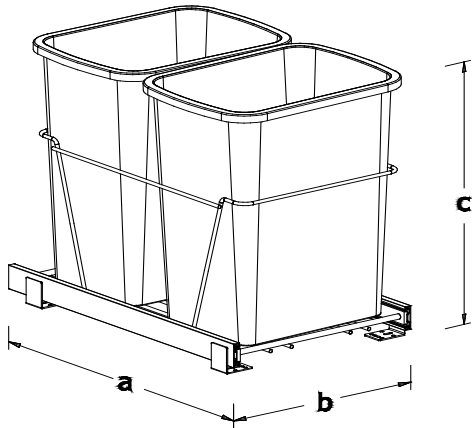


a	b
18"	19 1/2"

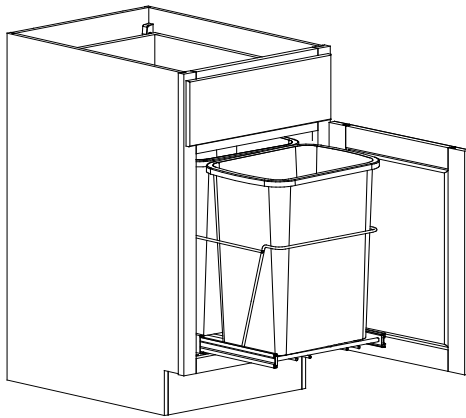
**TUK**

Touch up kits contain the following: putty crayon, stain marker, blending pad.  
Glazesticks are also available, please see GLAZESTICK

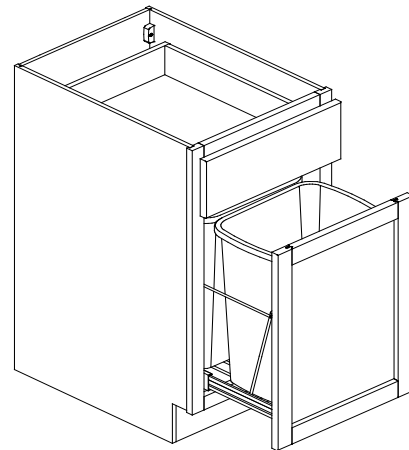
**TRASHPO18**



a	b	c
22"	14 <sup>3</sup> / <sub>8</sub> "	19 <sup>1</sup> / <sub>4</sub> "

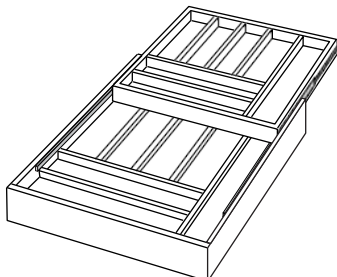


B18TR



B18TR-DMK

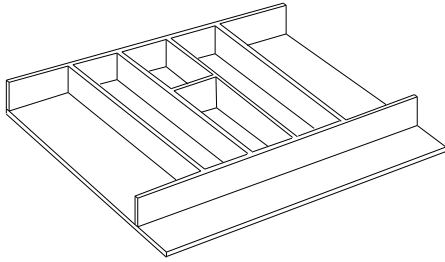
**TTCD18**



Width	Depth	Height
14 <sup>7</sup> / <sub>16</sub>	21	3 <sup>3</sup> / <sub>4</sub>

- Comes complete with Blumotion soft-close undermount slides

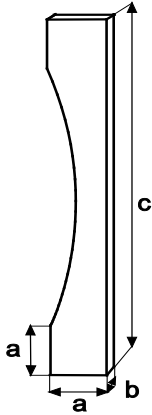
## UTLTRAY



Width	Depth	Height
18 <sup>1</sup> / <sub>2</sub>	22	2 <sup>7</sup> / <sub>8</sub>

- Can be trimmed to exact size with table saw
- Min. size 8 <sup>1</sup>/<sub>8</sub>"W x 17"D
- Organize kitchen utensils

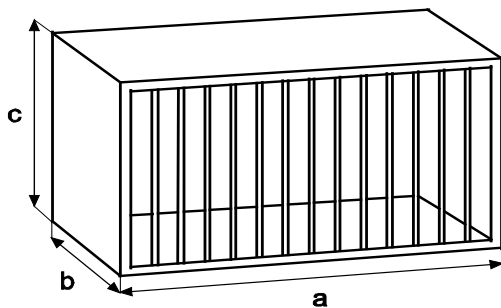
## VAL



	a	b	c
VAL36	6"	<sup>3</sup> / <sub>4</sub> "	36"
VAL48	6"	<sup>3</sup> / <sub>4</sub> "	48"

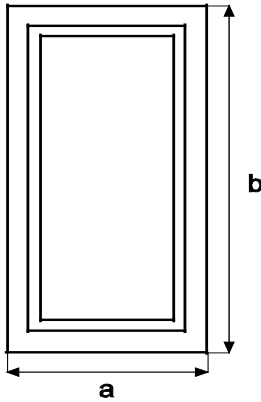
- Solid wood

## W3615PL



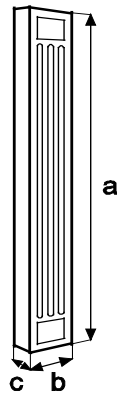
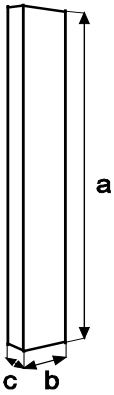
a	b	c
36"	12"	15"

**WDEC**



	a	b
WDEC30	11 3/4"	28 3/4"
WDEC36	11 3/4"	34 3/4"
WDEC42	11 3/4"	40 3/4"

**WF**

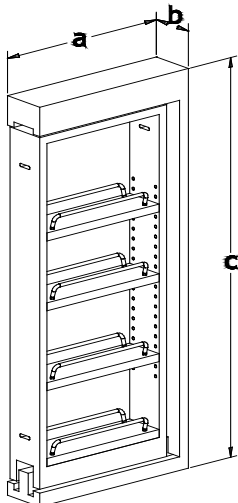


	a	b	c
WF330	30"	3"	3/4"
WF330F*	30"	3"	3/4"
WF336F*	36"	3"	3/4"
WF342	42"	3"	3/4"
WF342F*	42"	3"	3/4"
WF630	30"	6"	3/4"
WF630F*	30"	6"	3/4"
WF642	42"	6"	3/4"

\*Fluted

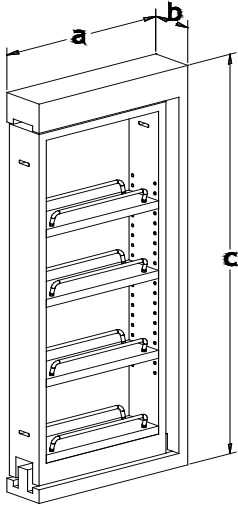
• Solid wood

**WF3PULL**



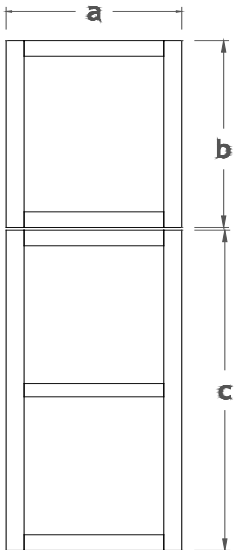
a	b	c
11 1/8"	3"	30"

**WF3PULL- SFTCLOSE**



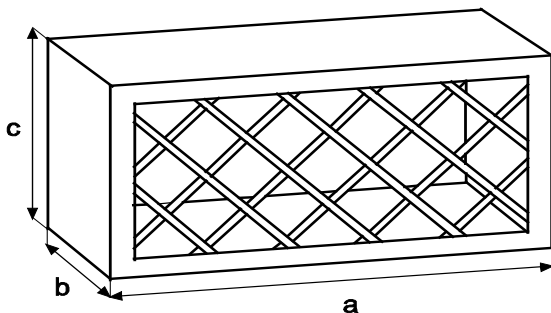
	a	b	c
WF330PULL-SFTCLOSE	11 1/8"	3"	30"
WF336PULL-SFTCLOSE	11 1/8"	3"	36"
WF342PULL-SFTCLOSE	11 1/8"	3"	42"
WF630PULL-SFTCLOSE	11 1/8"	6"	30"
WF636PULL-SFTCLOSE	11 1/8"	6"	36"
WF642PULL-SFTCLOSE	11 1/8"	6"	42"

**WPDEC**



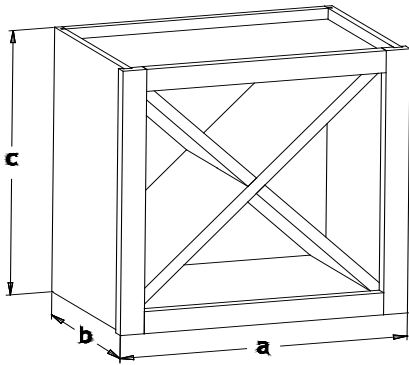
	a	b	c
WPDEC84	23 3/4"	28 3/4"	49 1/4"
WPDEC90	23 3/4"	34 3/4"	49 1/4"
WPDEC96	23 3/4"	40 3/4"	49 1/4"

**WR3015**



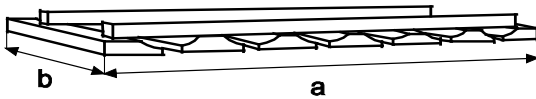
a	b	c
30"	12"	15"

**WR1818**



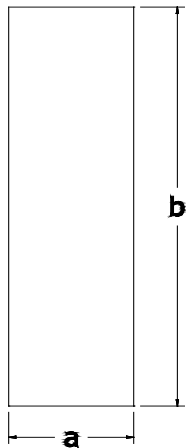
a	b	c
18"	12"	18"

**WR30GH**



a	b
30"	12"

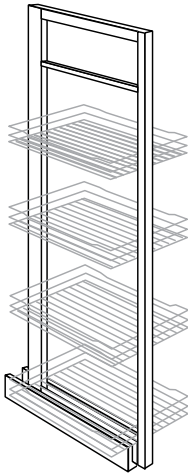
**W42SKIN**



a	b
11 <sup>5</sup> / <sub>8</sub> "	42"

- Thickness: 1/4"
- Plywood with wood veneer
- Edges are not finished
- Finished one side
- Skin will make the side flush with frame

**WP18PULL**



Width	Depth	Height
14 <sup>3</sup> / <sub>4</sub> "	20"	43 <sup>1</sup> / <sub>4</sub> " to 50 <sup>3</sup> / <sub>4</sub> "

- 250lbs weight rated slide system
- Adjustable frame height: 43<sup>1</sup>/<sub>4</sub>" to 50<sup>3</sup>/<sub>4</sub>"
- Basket width: 14<sup>3</sup>/<sub>4</sub>"
- Includes (4) baskets/ (2) door mount brackets
- Progressive Soft-Close Bottom Slide



## **Kitchen Cabinet Door and Drawer Head Sizes**

	<b>KD / KE / KB / KDL / KT / KY / KDC / KN</b>	
	<b>Door (W x H)</b>	<b>Drawer (W x H)</b>
<b>2DB30</b> Large	N/A	29 <sup>1</sup> / <sub>2</sub> " x 14 <sup>3</sup> / <sub>8</sub> "
<b>2DB36</b> Large	N/A	35 <sup>1</sup> / <sub>2</sub> " x 14 <sup>3</sup> / <sub>8</sub> "
<b>AB24</b>	17 <sup>7</sup> / <sub>8</sub> " x 29 "	N/A
<b>AW30</b>	16 <sup>3</sup> / <sub>8</sub> " x 28 <sup>3</sup> / <sub>4</sub> "	N/A
<b>AW36</b>	16 <sup>3</sup> / <sub>8</sub> " x 34 <sup>3</sup> / <sub>4</sub> "	N/A
<b>AW42</b>	16 <sup>3</sup> / <sub>8</sub> " x 40 <sup>3</sup> / <sub>4</sub> "	N/A
<b>B12</b>	11 <sup>1</sup> / <sub>2</sub> " x 22 <sup>1</sup> / <sub>4</sub> "	11 <sup>1</sup> / <sub>2</sub> " x 6 <sup>1</sup> / <sub>2</sub> "
<b>B15</b>	14 <sup>1</sup> / <sub>2</sub> " x 22 <sup>1</sup> / <sub>4</sub> "	14 <sup>1</sup> / <sub>2</sub> " x 6 <sup>1</sup> / <sub>2</sub> "
<b>B18</b>	17 <sup>1</sup> / <sub>2</sub> " x 22 <sup>1</sup> / <sub>4</sub> "	17 <sup>1</sup> / <sub>2</sub> " x 6 <sup>1</sup> / <sub>2</sub> "
<b>B21</b>	20 <sup>1</sup> / <sub>2</sub> " x 22 <sup>1</sup> / <sub>4</sub> "	20 <sup>1</sup> / <sub>2</sub> " x 6 <sup>1</sup> / <sub>2</sub> "
<b>B24B</b>	11 <sup>11</sup> / <sub>16</sub> " x 22 <sup>1</sup> / <sub>4</sub> "	23 <sup>1</sup> / <sub>2</sub> " x 6 <sup>1</sup> / <sub>2</sub> "
<b>B27B</b>	13 <sup>3</sup> / <sub>16</sub> " x 22 <sup>1</sup> / <sub>4</sub> "	26 <sup>1</sup> / <sub>2</sub> " x 6 <sup>1</sup> / <sub>2</sub> "
<b>B30B</b>	14 <sup>11</sup> / <sub>16</sub> " x 22 <sup>1</sup> / <sub>4</sub> "	29 <sup>1</sup> / <sub>2</sub> " x 6 <sup>1</sup> / <sub>2</sub> "
<b>B33</b>	16 " x 22 <sup>1</sup> / <sub>4</sub> "	16 " x 6 <sup>1</sup> / <sub>2</sub> "
<b>B36</b>	17 <sup>1</sup> / <sub>2</sub> " x 22 <sup>1</sup> / <sub>4</sub> "	17 <sup>1</sup> / <sub>2</sub> " x 6 <sup>1</sup> / <sub>2</sub> "
<b>B42</b>	20 <sup>1</sup> / <sub>2</sub> " x 22 <sup>1</sup> / <sub>4</sub> "	20 <sup>1</sup> / <sub>2</sub> " x 6 <sup>1</sup> / <sub>2</sub> "
<b>BBC36/39</b>	11 <sup>1</sup> / <sub>2</sub> " x 22 <sup>1</sup> / <sub>4</sub> "	11 <sup>1</sup> / <sub>2</sub> " x 6 <sup>1</sup> / <sub>2</sub> "
<b>BBC42/45</b>	17 <sup>1</sup> / <sub>2</sub> " x 22 <sup>1</sup> / <sub>4</sub> "	17 <sup>1</sup> / <sub>2</sub> " x 6 <sup>1</sup> / <sub>2</sub> "
<b>BF09</b>	8 <sup>1</sup> / <sub>2</sub> " x 29 "	N/A
<b>BFD1821</b> Small	N/A	17 <sup>1</sup> / <sub>2</sub> " x 8 <sup>3</sup> / <sub>8</sub> "
<b>BFD1821</b> Large	N/A	17 <sup>1</sup> / <sub>2</sub> " x 16"
<b>CSF36</b>	15 " x 22 <sup>1</sup> / <sub>4</sub> "	15" x 6 <sup>1</sup> / <sub>2</sub> "
<b>DB15</b> Small	N/A	14 <sup>1</sup> / <sub>2</sub> " x 6 <sup>1</sup> / <sub>2</sub> "
<b>DB15</b> Large	N/A	14 <sup>1</sup> / <sub>2</sub> " x 11 "
<b>DB18</b> Small	N/A	17 <sup>1</sup> / <sub>2</sub> " x 6 <sup>1</sup> / <sub>2</sub> "
<b>DB18</b> Large	N/A	17 <sup>1</sup> / <sub>2</sub> " x 11 "
<b>DB21</b> Small	N/A	20 <sup>1</sup> / <sub>2</sub> " x 6 <sup>1</sup> / <sub>2</sub> "
<b>DB21</b> Large	N/A	20 <sup>1</sup> / <sub>2</sub> " x 11 "
<b>DB24</b> Small	N/A	23 <sup>1</sup> / <sub>2</sub> " x 6 <sup>1</sup> / <sub>2</sub> "
<b>DB24</b> Large	N/A	23 <sup>1</sup> / <sub>2</sub> " x 11 "
<b>DB30</b> Small	N/A	29 <sup>1</sup> / <sub>2</sub> " x 6 <sup>1</sup> / <sub>2</sub> "
<b>DB30</b> Large	N/A	29 <sup>1</sup> / <sub>2</sub> " x 11 "
<b>DB36</b> Small	N/A	35 <sup>1</sup> / <sub>2</sub> " x 6 <sup>1</sup> / <sub>2</sub> "
<b>DB36</b> Large	N/A	35 <sup>1</sup> / <sub>2</sub> " x 11 "
<b>DSB36</b>	15 " x 22 <sup>1</sup> / <sub>4</sub> "	15" x 6 <sup>1</sup> / <sub>2</sub> "
<b>DU3021</b>	N/A	23 <sup>1</sup> / <sub>2</sub> " x 3 <sup>1</sup> / <sub>2</sub> "

	KD / KE / KB / KDL / KT / KY / KDC / KN	
	Door (W x H)	Drawer (W x H)
<b>FSB30B</b>	14 <sup>11</sup> / <sub>16</sub> " x 16 <sup>3</sup> / <sub>4</sub> "	N/A
<b>FSB36</b>	17 <sup>1</sup> / <sub>2</sub> " x 16 <sup>3</sup> / <sub>4</sub> "	N/A
<b>LS33</b>	7 <sup>3</sup> / <sub>4</sub> " x 29"	N/A
<b>LS36</b>	10 <sup>3</sup> / <sub>4</sub> " x 29"	N/A
<b>MB30</b>	N/A	29 <sup>1</sup> / <sub>2</sub> " x 8 <sup>13</sup> / <sub>16</sub> "
<b>MW3030B</b>	14 <sup>11</sup> / <sub>16</sub> " x 10 <sup>3</sup> / <sub>4</sub> "	N/A
<b>MW3036B</b>	14 <sup>11</sup> / <sub>16</sub> " x 16 <sup>3</sup> / <sub>4</sub> "	N/A
<b>MW3042B</b>	14 <sup>11</sup> / <sub>16</sub> " x 22 <sup>3</sup> / <sub>4</sub> "	N/A
<b>OC3384</b> Small	16" x 19 <sup>3</sup> / <sub>4</sub> "	32 <sup>1</sup> / <sub>2</sub> " x 6 <sup>1</sup> / <sub>2</sub> "
<b>OC3384</b> Large	N/A	32 <sup>1</sup> / <sub>2</sub> " x 11"
<b>OC3390</b> Small	16" x 25 <sup>3</sup> / <sub>4</sub> "	32 <sup>1</sup> / <sub>2</sub> " x 6 <sup>1</sup> / <sub>2</sub> "
<b>OC3390</b> Large	N/A	32 <sup>1</sup> / <sub>2</sub> " x 11"
<b>OC3396</b> Small	16" x 31 <sup>3</sup> / <sub>4</sub> "	32 <sup>1</sup> / <sub>2</sub> " x 6 <sup>1</sup> / <sub>2</sub> "
<b>OC3396</b> Large	N/A	32 <sup>1</sup> / <sub>2</sub> " x 11"
<b>SB30B</b>	14 <sup>11</sup> / <sub>16</sub> " x 22 <sup>1</sup> / <sub>4</sub> "	29 <sup>1</sup> / <sub>2</sub> " x 6 <sup>1</sup> / <sub>2</sub> "
<b>SB33</b>	16" x 22 <sup>1</sup> / <sub>4</sub> "	16" x 6 <sup>1</sup> / <sub>2</sub> "
<b>SB36</b>	17 <sup>1</sup> / <sub>2</sub> " x 22 <sup>1</sup> / <sub>4</sub> "	17 <sup>1</sup> / <sub>2</sub> " x 6 <sup>1</sup> / <sub>2</sub> "
<b>SB42</b>	20 <sup>1</sup> / <sub>2</sub> " x 22 <sup>1</sup> / <sub>4</sub> "	20 <sup>1</sup> / <sub>2</sub> " x 6 <sup>1</sup> / <sub>2</sub> "
<b>SCW2430</b>	10 <sup>13</sup> / <sub>16</sub> " x 28 <sup>3</sup> / <sub>4</sub> "	N/A
<b>SCW2436</b>	10 <sup>13</sup> / <sub>16</sub> " x 34 <sup>3</sup> / <sub>4</sub> "	N/A
<b>SCW2442</b>	10 <sup>13</sup> / <sub>16</sub> " x 28 <sup>3</sup> / <sub>4</sub> "	N/A
<b>SD</b>	12 <sup>3</sup> / <sub>4</sub> " x 15 <sup>3</sup> / <sub>4</sub> "	N/A
<b>SDDR</b>	14 <sup>1</sup> / <sub>2</sub> " x 23 <sup>1</sup> / <sub>2</sub> "	N/A
<b>TB12</b>	15" x 29"	N/A
<b>W0930</b>	8 <sup>1</sup> / <sub>2</sub> " x 28 <sup>3</sup> / <sub>4</sub> "	N/A
<b>W0936</b>	8 <sup>1</sup> / <sub>2</sub> " x 34 <sup>3</sup> / <sub>4</sub> "	N/A
<b>W0942</b>	8 <sup>1</sup> / <sub>2</sub> " x 40 <sup>3</sup> / <sub>4</sub> "	N/A
<b>W1230</b>	11 <sup>1</sup> / <sub>2</sub> " x 28 <sup>3</sup> / <sub>4</sub> "	N/A
<b>W1236</b>	11 <sup>1</sup> / <sub>2</sub> " x 34 <sup>3</sup> / <sub>4</sub> "	N/A
<b>W1242</b>	11 <sup>1</sup> / <sub>2</sub> " x 40 <sup>3</sup> / <sub>4</sub> "	N/A
<b>W1530</b>	14 <sup>1</sup> / <sub>2</sub> " x 28 <sup>3</sup> / <sub>4</sub> "	N/A
<b>W1536</b>	14 <sup>1</sup> / <sub>2</sub> " x 34 <sup>3</sup> / <sub>4</sub> "	N/A
<b>W1542</b>	14 <sup>1</sup> / <sub>2</sub> " x 40 <sup>3</sup> / <sub>4</sub> "	N/A
<b>W1830</b>	17 <sup>1</sup> / <sub>2</sub> " x 28 <sup>3</sup> / <sub>4</sub> "	N/A
<b>W1836</b>	17 <sup>1</sup> / <sub>2</sub> " x 34 <sup>3</sup> / <sub>4</sub> "	N/A
<b>W1842</b>	17 <sup>1</sup> / <sub>2</sub> " x 40 <sup>3</sup> / <sub>4</sub> "	N/A

	KD / KE / KB / KDL / KT / KY / KDC / KN	
	Door (W x H)	Drawer (W x H)
W2130	20 1/2" x 28 3/4"	N/A
W2136	20 1/2" x 34 3/4"	N/A
W2142	20 1/2" x 40 3/4"	N/A
W2415B	11 11/16" x 13 3/4"	N/A
W2430B	11 11/16" x 28 3/4"	N/A
W2436B	11 11/16" x 34 3/4"	N/A
W2442B	11 11/16" x 40 3/4"	N/A
W2730B	13 3/16" x 28 3/4"	N/A
W2736B	13 3/16" x 34 3/4"	N/A
W2742B	13 3/16" x 40 3/4"	N/A
W3012B	14 11/16" x 10 3/4"	N/A
W3015B	14 11/16" x 13 3/4"	N/A
W3018B	14 11/16" x 16 3/4"	N/A
W3024B	14 11/16" x 22 3/4"	N/A
W3030B	14 11/16" x 28 3/4"	N/A
W3036B	14 11/16" x 34 3/4"	N/A
W3042B	14 11/16" x 40 3/4"	N/A
W3315	16" x 13 3/4"	N/A
W3318	16" x 16 3/4"	N/A
W3330	16" x 28 3/4"	N/A
W3336	16" x 34 3/4"	N/A
W3342	16" x 40 3/4"	N/A
W3612	17 1/2" x 10 3/4"	N/A
W361224	17 1/2" x 10 3/4"	N/A
W3615	17 1/2" x 13 3/4"	N/A
W361524	17 1/2" x 13 3/4"	N/A
W3618	17 1/2" x 16 3/4"	N/A
W361824	17 1/2" x 16 3/4"	N/A
W3624	17 1/2" x 22 3/4"	N/A
W362424	17 1/2" x 22 3/4"	N/A
W3630	17 1/2" x 28 3/4"	N/A
W3636	17 1/2" x 34 3/4"	N/A
W3642	17 1/2" x 40 3/4"	N/A
W391224	19 3/16" x 10 3/4"	N/A
W391524	19 3/16" x 13 3/4"	N/A
W361824	19 3/16" x 16 3/4"	N/A

	KD / KE / KB / KDL / KT / KY / KDC / KN	
	Door (W x H)	Drawer (W x H)
<b>W4230</b>	20 1/2" x 28 3/4"	N/A
<b>W4236</b>	20 1/2" x 34 3/4"	N/A
<b>W4242</b>	20 1/2" x 40 3/4"	N/A
<b>WBC2730</b>	14 1/2" x 28 3/4"	N/A
<b>WDC2430</b>	15" x 28 3/4"	N/A
<b>WDC2436</b>	15" x 34 3/4"	N/A
<b>WDC2442</b>	15" x 40 3/4"	N/A
<b>WDC2736</b>	15" x 34 3/4"	N/A
<b>WDC2742</b>	15" x 40 3/4"	N/A
<b>WDEC30</b>	11 3/4" x 28 3/4"	N/A
<b>WDEC36</b>	11 3/4" x 34 3/4"	N/A
<b>WDEC42</b>	11 3/4" x 40 3/4"	N/A
<b>WPDEC84</b> Top	23 3/4" x 28 3/4"	N/A
<b>WPDEC84</b> Bottom	23 3/4" x 49 1/4"	N/A
<b>WPDEC90</b> Top	23 3/4" x 34 3/4"	N/A
<b>WPDEC90</b> Bottom	23 3/4" x 49 1/4"	N/A
<b>WPDEC96</b> Top	23 3/4" x 40 3/4"	N/A
<b>WPDEC96</b> Bottom	23 3/4" x 49 1/4"	N/A
<b>WP1884</b> Top	17 1/2" x 28 3/4"	N/A
<b>WP1884</b> Bottom	17 1/2" x 49 1/4"	N/A
<b>WP1890</b> Top	17 1/2" x 34 3/4"	N/A
<b>WP1890</b> Bottom	17 1/2" x 49 1/4"	N/A
<b>WP1896</b> Top	17 1/2" x 40 3/4"	N/A
<b>WP1896</b> Bottom	17 1/2" x 49 1/4"	N/A
<b>WP2484B</b> Top	11 11/16" x 28 3/4"	N/A
<b>WP2484B</b> Bottom	11 11/16" x 49 1/4"	N/A
<b>WP2490B</b> Top	11 11/16" x 34 3/4"	N/A
<b>WP2490B</b> Bottom	11 11/16" x 49 1/4"	N/A
<b>WP2496B</b> Top	11 11/16" x 40 3/4"	N/A
<b>WP2496B</b> Bottom	11 11/16" x 49 1/4"	N/A
<b>WP3084B</b> Top	14 11/16" x 28 3/4"	N/A
<b>WP3084B</b> Bottom	14 11/16" x 49 1/4"	N/A
<b>WP3090B</b> Top	14 11/16" x 34 3/4"	N/A
<b>WP3090B</b> Bottom	14 11/16" x 49 1/4"	N/A
<b>WP3096B</b> Top	14 11/16" x 40 3/4"	N/A
<b>WP3096B</b> Bottom	14 11/16" x 49 1/4"	N/A

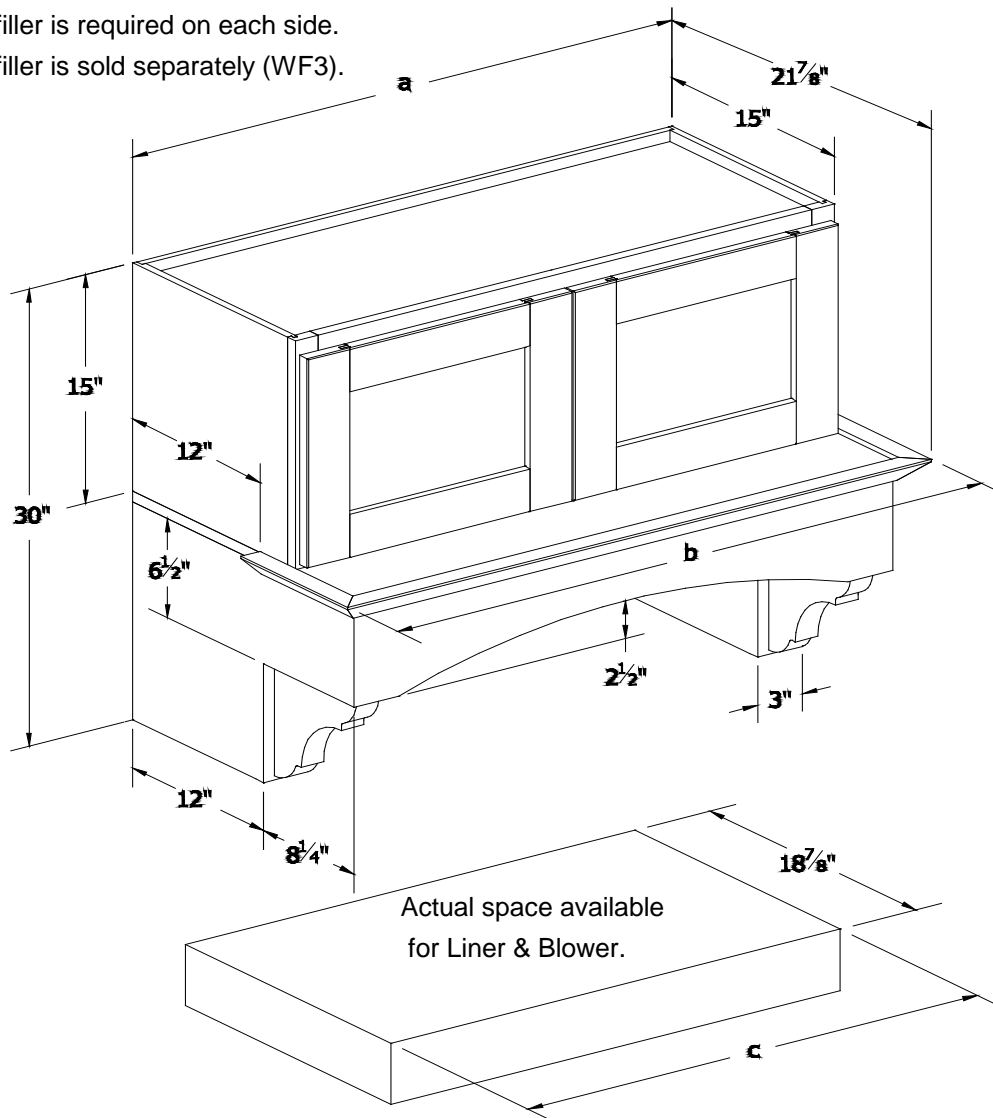
**SH3630 / SH4230**

**Shelf Hood Specifications**

	KY / KD / KS / KE / KK	KI/KG/KW
SH3630	a	36"
	b	39"
	c	30"

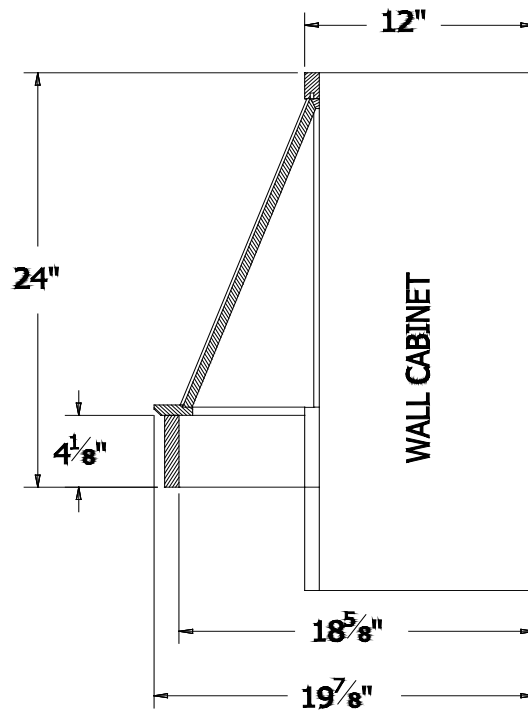
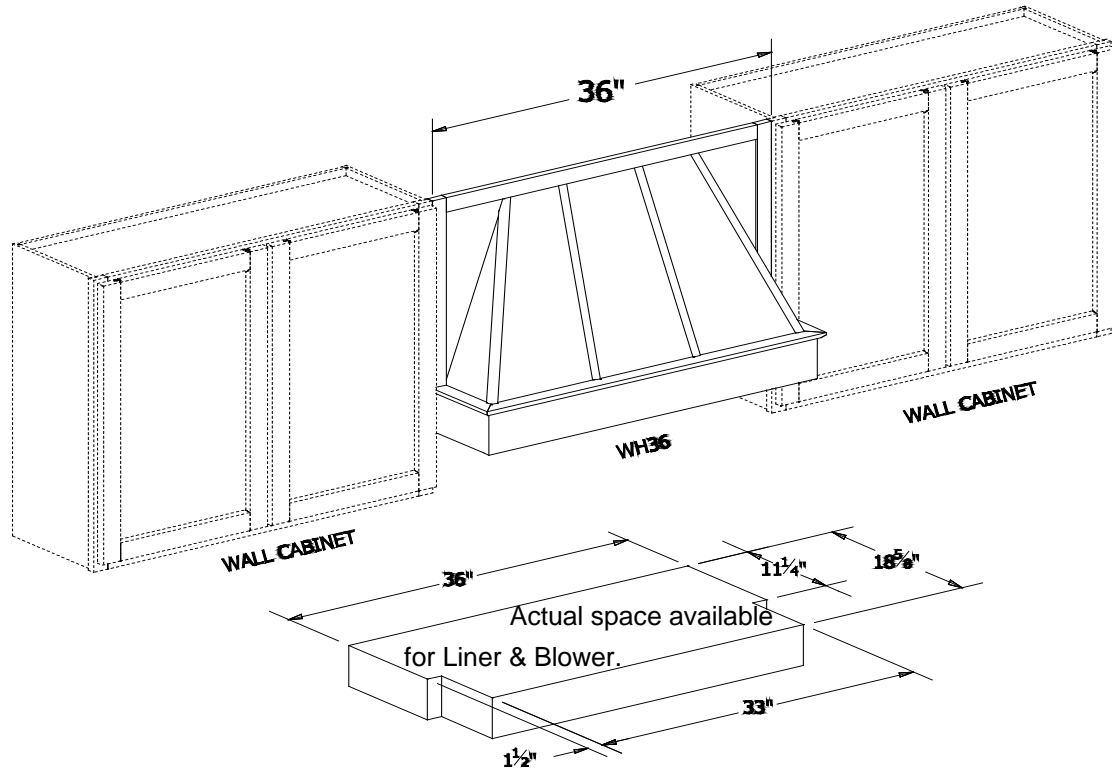
SH4230	a	42"
	b	45"
	c	36"

- 3" filler is required on each side.
- 3" filler is sold separately (WF3).



**WH36**

**Wood Hood Specifications**



# **Designer Vanities**

# Item Availability Chart

	<i>Dover</i>	<i>Essex</i>	<i>Branford Slab</i>	<i>Branford Recessed</i>	<i>Dover Castle</i>	<i>Essex Castle</i>	<i>Dover Lunar</i>	<i>Essex Lunar</i>	<i>Yarmouth Slab</i>	<i>Yarmouth Matching</i>	<i>Norwich Recessed</i>	<i>Trenton Slab</i>	<i>Trenton Recessed</i>	<i>Trenton Tapered</i>	<i>Denbury White</i>
V2421B	<		<		<		<				<	<			<
V3021B	<		<		<		<				<	<			<
V3621	<		<		<		<				<	<			<
V4221	<		<		<		<				<	<			<
V3021D-L	<		<		<		<				<	<			<
V3021D-R	<		<		<		<				<	<			<
V3621D-L	<		<		<		<				<	<			<
V3621D-R	<		<		<		<				<	<			<
V4221D-L	<		<		<		<				<	<			<
V4221D-R	<		<		<		<				<	<			<
V4821D	<		<		<		<				<	<			<
VDB1221	<		<		<		<				<	<			<
VDB1521	<		<		<		<				<	<			<
VDB1821	<		<		<		<				<	<			<
VLC1884	<		<		<		<				<	<			<
MR3036	<		<		<		<				<	<			<
VPF3	<		<		<		<				<	<			<
TK8	<		<		<		<				<	<			<
VF2421														<	
VF3021														<	
VF3621														<	
VFDB1221														<	
SV3621														<	
SV4821D														<	
SV5421D														<	
SV6021D														<	
MR2430														<	
SVDEC														<	



## Danbury White (VDW)

### General Specifications:

- Material: Frame and door are solid birch, cabinet box is plywood
- Finish: Painted white
- Door design: Inset door
- Door panel: Flat panel with applied molding
- Drawer head design: 5 piece
- Drawer head panel: Recessed
- Hardware: Not included

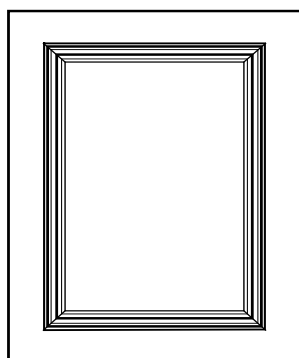
### Cabinet Specifications:

- Cabinet height: 34 1/2"
- Vanity depth: 21"
- Face frame: 1 3/8" thick x 1 3/16" solid wood, doweled and glued
- Side panels: 9/16" plywood with wood veneer on both sides
- Back panel: 9/16" plywood, open back for easy plumbing installation
- Bottom panel: 9/16" plywood with wood veneer on one side
- Toe kick: 9/16" x 4 1/2" plywood with wood veneer on front
- Center style: There is a center style on double door units
- Hinge: Concealed cup hinge with a 110 degree opening and 3-dimensional adjustment (side, depth and height adjustment)

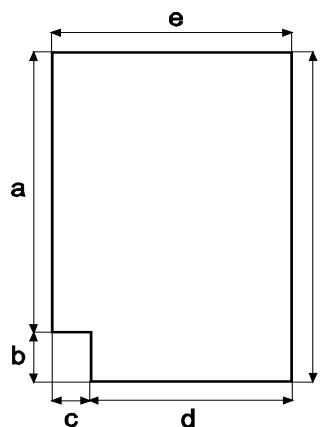
### Drawer Construction:

- Drawer sides: 9/16" plywood with wood venner
- Drawer bottom: 5/16" plywood with wood veneer on one side
- Drawer glides: Side mount, full extension glides
- Availability: Drawers are available on the left and right

### Door Style:

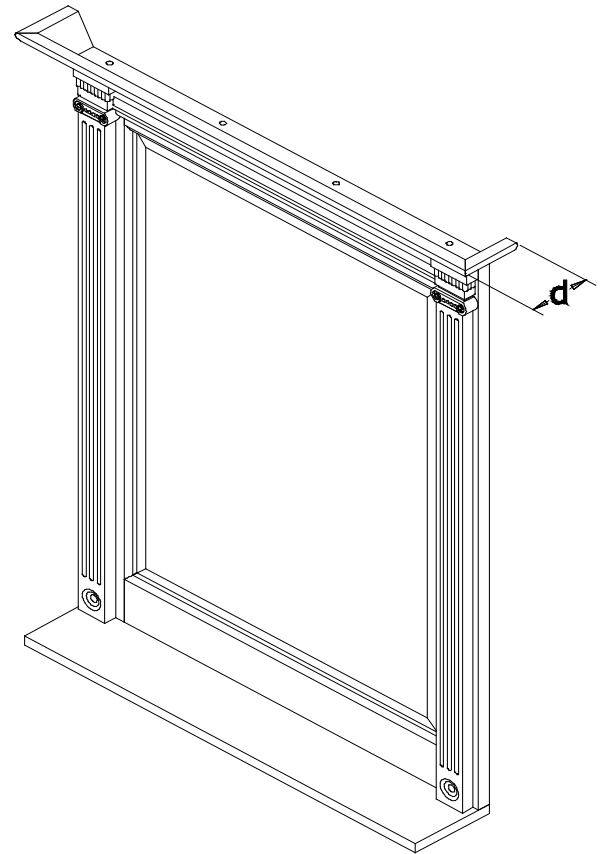
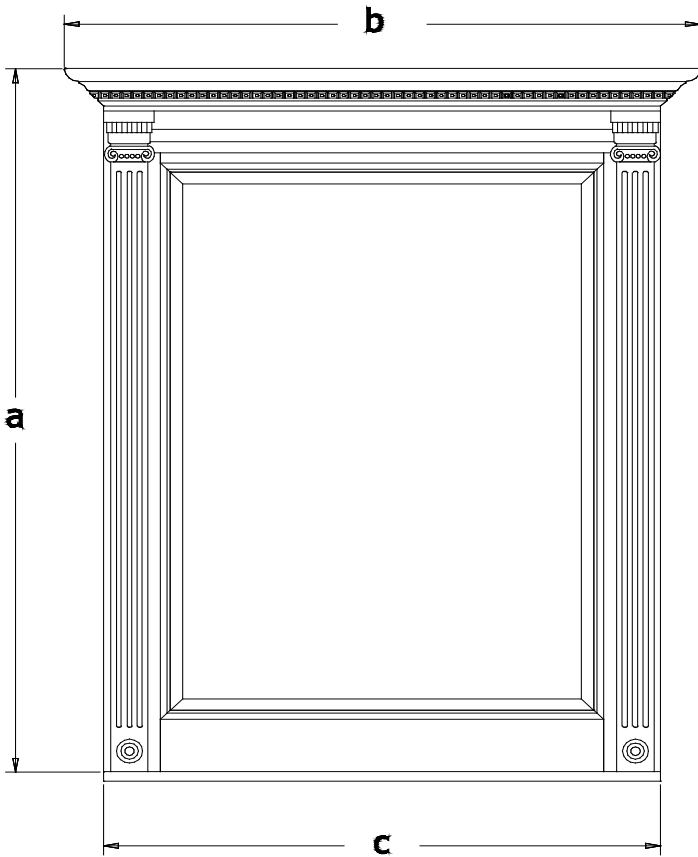


### Side Panel Dimensions:



a	30"
b	4 1/2"
c	1 11/16"
d	18 1/16"
e	19 3/4"
f	34 1/2"

**VDW-MR3036**

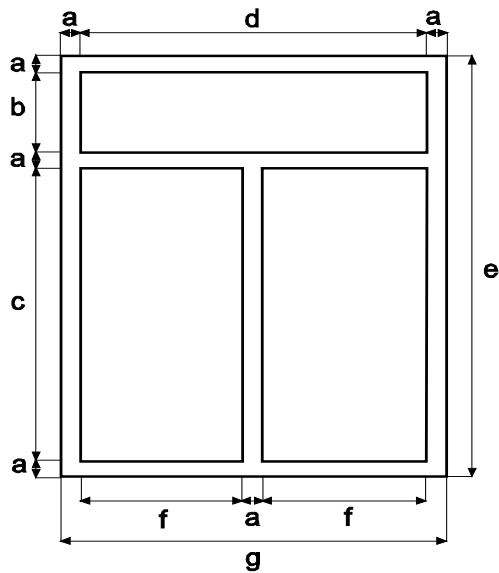


a	36"
b	30"
c	26 1/4"
d	3"

Glass Dimensions: 20 7/8"W x 28 3/8"H  
 Shelf Dimensions: 26 1/4"W x 4"D x 1/2"H

- Mirror glass is beveled
- Installation of shelf is optional

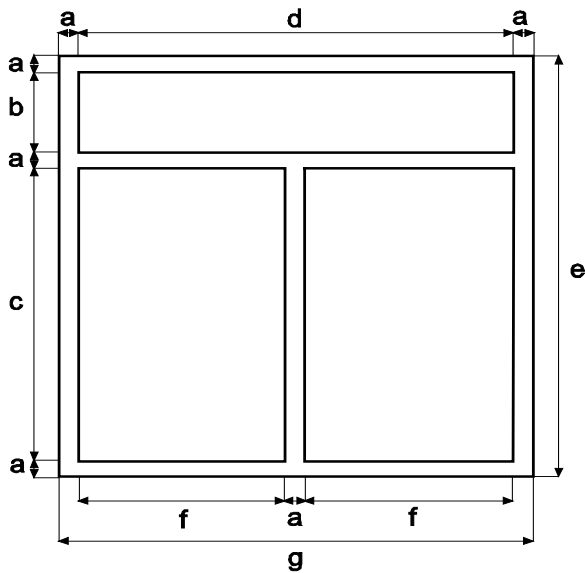
**VDW-V2421**



a	1 <sup>3</sup> / <sub>16</sub> "
b	6"
c	20 <sup>7</sup> / <sub>16</sub> "
d	21 <sup>5</sup> / <sub>8</sub> "
e	30"
f	10 <sup>7</sup> / <sub>32</sub> "
g	24"

- 2 Door Vanity
- Door Opening: 10 <sup>7</sup>/<sub>32</sub>"W x 20 <sup>7</sup>/<sub>16</sub>"H
- Cabinet Inner Dimensions: 22 <sup>5</sup>/<sub>8</sub>"W x 18 <sup>7</sup>/<sub>8</sub>"D x 29 <sup>1</sup>/<sub>4</sub>"H
- Door Size: 10 <sup>1</sup>/<sub>16</sub>"W x 20 <sup>5</sup>/<sub>16</sub>"H
- False Drawer Head Size: 21 <sup>7</sup>/<sub>16</sub>"W x 5 <sup>7</sup>/<sub>8</sub>"H
- Cabinet Bottom Panel: 22 <sup>7</sup>/<sub>8</sub>"W x 19 <sup>1</sup>/<sub>16</sub>"D x <sup>9</sup>/<sub>16</sub>"T
- Toe kick: 24"W x 4 <sup>1</sup>/<sub>2</sub>"H x <sup>9</sup>/<sub>16</sub>"T

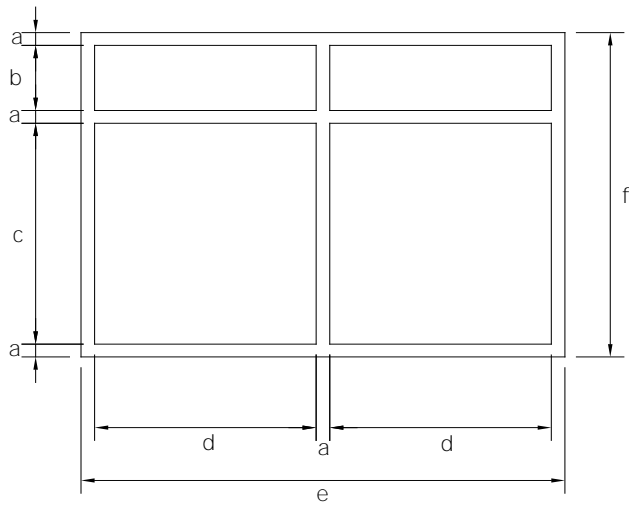
**VDW-V3021**



a	1 <sup>3</sup> / <sub>16</sub> "
b	6"
c	20 <sup>7</sup> / <sub>16</sub> "
d	27 <sup>5</sup> / <sub>8</sub> "
e	30"
f	13 <sup>7</sup> / <sub>32</sub> "
g	30"

- 2 Door Vanity
- Door Opening: 13 <sup>7</sup>/<sub>32</sub>"W x 20 <sup>7</sup>/<sub>16</sub>"H
- Cabinet Inner Dimensions: 28 <sup>5</sup>/<sub>8</sub>"W x 18 <sup>7</sup>/<sub>8</sub>"D x 29 <sup>1</sup>/<sub>4</sub>"H
- Door Size: 13 <sup>1</sup>/<sub>16</sub>"W x 20 <sup>5</sup>/<sub>16</sub>"H
- False Drawer Head Size: 27 <sup>7</sup>/<sub>16</sub>"W x 5 <sup>7</sup>/<sub>8</sub>"H
- Cabinet Bottom Panel: 28 <sup>7</sup>/<sub>8</sub>"W x 19 <sup>1</sup>/<sub>16</sub>"D x <sup>9</sup>/<sub>16</sub>"T
- Toe kick: 30"W x 4 <sup>1</sup>/<sub>2</sub>"H x <sup>9</sup>/<sub>16</sub>"T

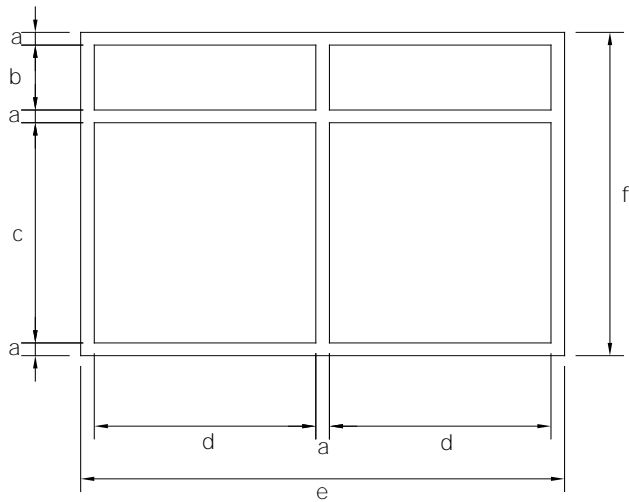
**VDW-V3621**



a	1 <sup>3</sup> / <sub>16</sub> "
b	6"
c	20 <sup>7</sup> / <sub>16</sub> "
d	16 <sup>1</sup> / <sub>4</sub> "
e	36"
f	30"

- 2 Door Vanity
- Door Opening: 16 <sup>1</sup>/<sub>4</sub>"W x 20 <sup>7</sup>/<sub>16</sub>"H
- Cabinet Inner Dimensions: 34 <sup>5</sup>/<sub>8</sub>"W x 18 <sup>7</sup>/<sub>8</sub>"D x 29 <sup>1</sup>/<sub>4</sub>"H
- Door Size: 16 <sup>1</sup>/<sub>16</sub>"W x 20 <sup>5</sup>/<sub>16</sub>"H
- False Drawer Head Size: 16 <sup>1</sup>/<sub>16</sub>"W x 5 <sup>7</sup>/<sub>8</sub>"H
- Cabinet Bottom Panel: 34 <sup>7</sup>/<sub>8</sub>"W x 19 <sup>1</sup>/<sub>16</sub>"D x <sup>9</sup>/<sub>16</sub>"T
- Toe kick: 36"W x 4 <sup>1</sup>/<sub>2</sub>"H x <sup>9</sup>/<sub>16</sub>"T

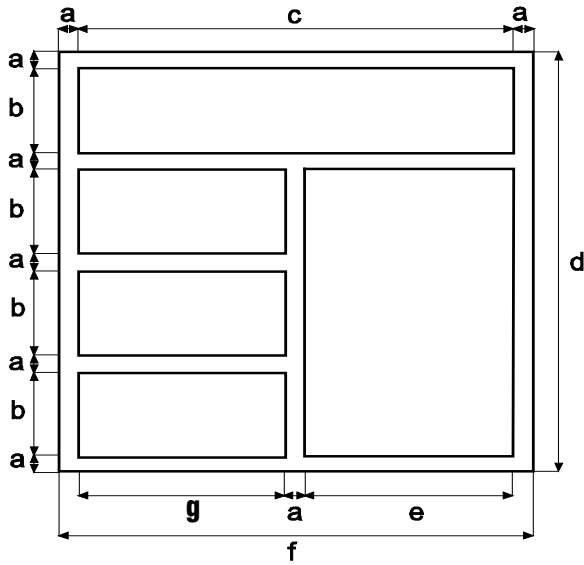
**VDW-V4221**



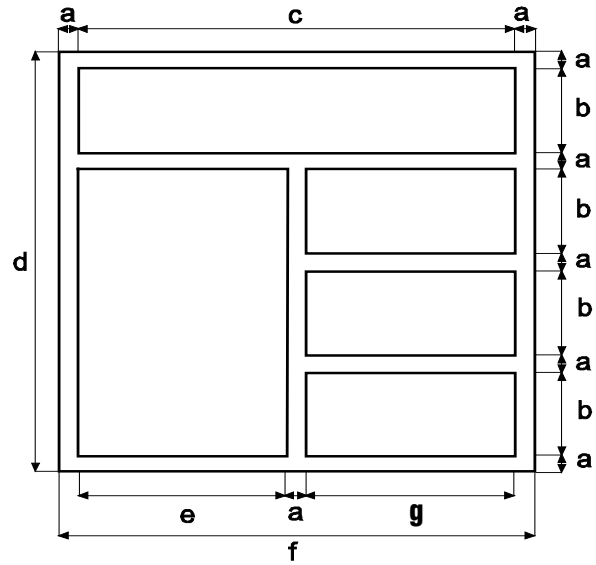
a	1 <sup>3</sup> / <sub>16</sub> "
b	6"
c	20 <sup>7</sup> / <sub>16</sub> "
d	19 <sup>1</sup> / <sub>4</sub> "
e	42"
f	30"

- 2 Door Vanity
- Door Opening: 19 <sup>1</sup>/<sub>4</sub>"W x 20 <sup>7</sup>/<sub>16</sub>"H
- Cabinet Inner Dimensions: 40 <sup>5</sup>/<sub>8</sub>"W x 18 <sup>7</sup>/<sub>8</sub>"D x 29 <sup>1</sup>/<sub>4</sub>"H
- Door Size: 19 <sup>1</sup>/<sub>16</sub>"W x 20 <sup>5</sup>/<sub>16</sub>"H
- False Drawer Head Size: 19 <sup>1</sup>/<sub>16</sub>"W x 5 <sup>7</sup>/<sub>8</sub>"H
- Cabinet Bottom Panel: 40 <sup>7</sup>/<sub>8</sub>"W x 19 <sup>1</sup>/<sub>16</sub>"D x <sup>9</sup>/<sub>16</sub>"T
- Toe kick: 42"W x 4 <sup>1</sup>/<sub>2</sub>"H x <sup>9</sup>/<sub>16</sub>"T

**VDW-V3021D**



**VDW-V3021D-L**



**VDW-V3021D-R**

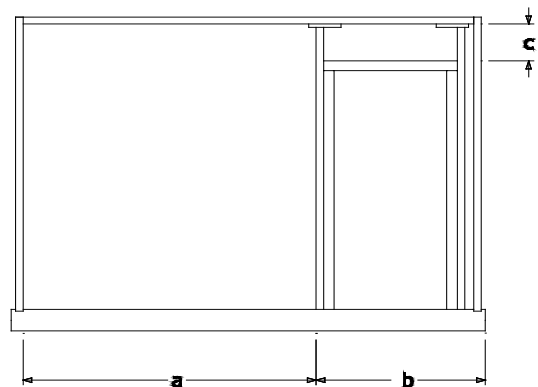
- 1 Door / 3 Drawer Vanity
- Door Opening:  $16 \frac{3}{4}$ "W x  $20 \frac{7}{16}$ "H
- Drawer Openings:  $9 \frac{11}{16}$ "W x 6"H
- Cabinet Inner Dimensions:\*  $17 \frac{3}{4}$ "W x  $18 \frac{7}{8}$ "D x  $29 \frac{1}{4}$ "H
- Drawer Inner Dimensions:  $7 \frac{1}{2}$ "W x  $17 \frac{1}{8}$ "D x 4"H
- Door Size:  $16 \frac{5}{8}$ "W x  $20 \frac{5}{16}$ "H
- Drawer Head Size:  $9 \frac{1}{2}$ "W x  $5 \frac{7}{8}$ "H
- False Drawer Head Size:  $27 \frac{7}{16}$ "W x  $5 \frac{7}{8}$ "H
- Cabinet Bottom Panel:  $28 \frac{7}{8}$ "W x  $19 \frac{1}{16}$ "D x  $\frac{9}{16}$ "T
- Toe kick: 30"W x  $4 \frac{1}{2}$ "H x  $\frac{9}{16}$ "T

a	$1 \frac{3}{16}$ "
b	6"
c	$27 \frac{5}{8}$ "
d	30"
e	$16 \frac{3}{4}$ "
f	30"
g	$9 \frac{11}{16}$ "

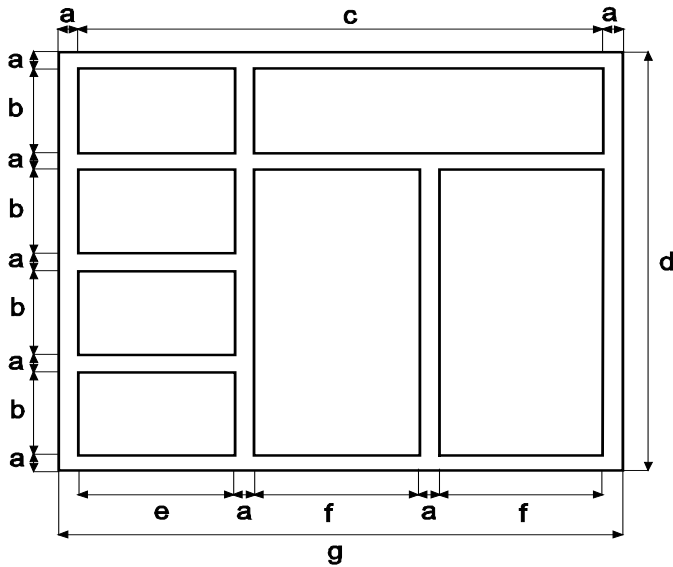
\* Inner width is distance between far side panel and drawers

- Top drawer is a false, non-working drawer

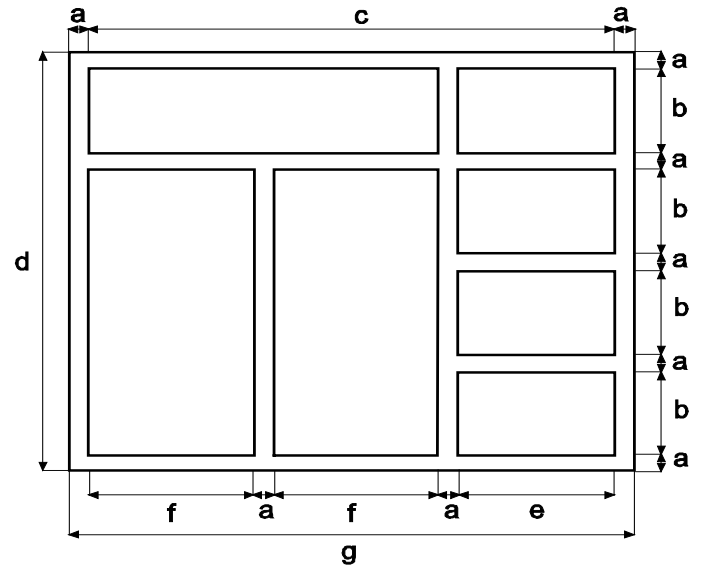
a	$17 \frac{3}{4}$ "
b	$11 \frac{1}{2}$ "
c	$1 \frac{1}{2}$ "



## VDW-V3621D



**VDW-V3621D-L**



**VDW-V3621D-R**

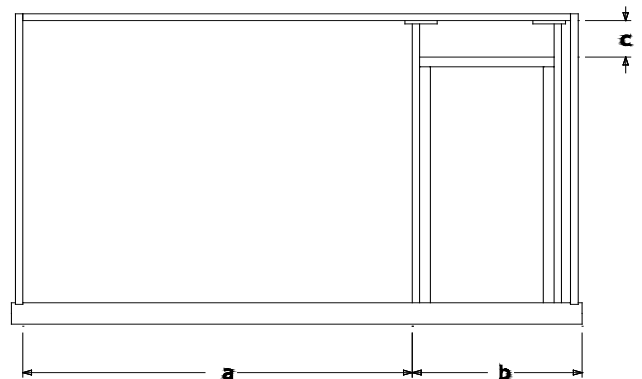
- 2 Door / 3 Drawer Vanity
- Door Opening:  $10 \frac{25}{32}$ "W x  $20 \frac{7}{16}$ "H
- Drawer Openings:  $9 \frac{11}{16}$ "W x 6"H
- Cabinet Inner Dimensions:\*  $23 \frac{3}{4}$ "W x  $18 \frac{7}{8}$ "D x  $29 \frac{1}{4}$ "H
- Drawer Inner Dimensions:  $7 \frac{1}{2}$ "W x  $17 \frac{1}{8}$ "D x 4"H
- Door Size:  $10 \frac{5}{8}$ "W x  $20 \frac{5}{16}$ "H
- Drawer Head Size:  $9 \frac{1}{2}$ "W x  $5 \frac{7}{8}$ "H
- False Drawer Head Size:  $22 \frac{9}{16}$ "W x  $5 \frac{7}{8}$ "H
- Cabinet Bottom Panel:  $34 \frac{7}{8}$ "W x  $19 \frac{1}{16}$ "D x  $\frac{9}{16}$ "T
- Toe kick: 36"W x  $4 \frac{1}{2}$ "H x  $\frac{9}{16}$ "T

a	$1 \frac{3}{16}$ "
b	6"
c	$33 \frac{5}{8}$ "
d	30"
e	$9 \frac{11}{16}$ "
f	$10 \frac{25}{32}$ "
g	36"

\* Inner width is distance between far side panel and drawers

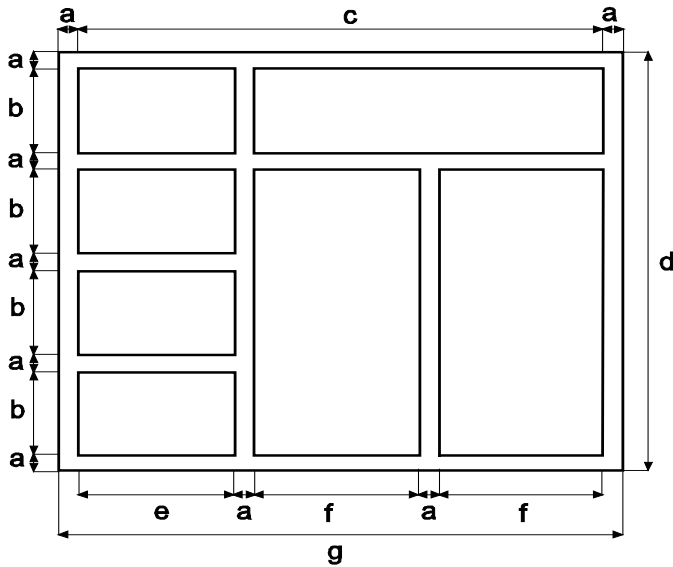
- Both top drawers are false, non-working drawers

a	$23 \frac{3}{4}$ "
b	$11 \frac{1}{2}$ "
c	$1 \frac{1}{2}$ "

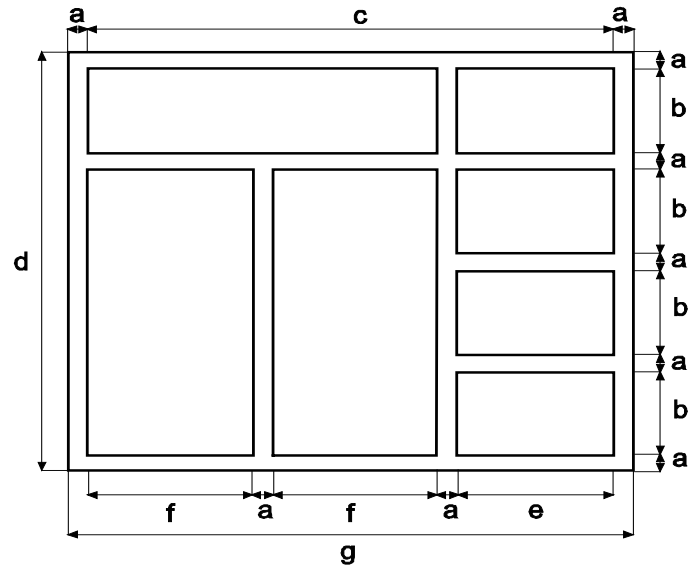




## VDW-V4221D



**VDW-V4221D-L**



**VDW-V4221D-R**

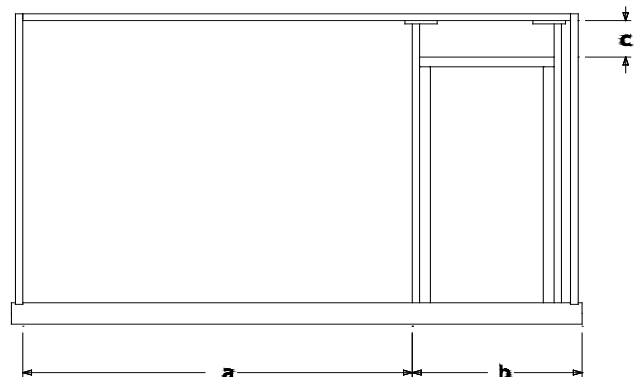
- 2 Door / 3 Drawer Vanity
- Door Opening:  $13 \frac{25}{32}$ "W x  $20 \frac{7}{16}$ "H
- Drawer Openings:  $9 \frac{11}{16}$ "W x 6"H
- Cabinet Inner Dimensions:\*  $29 \frac{3}{4}$ "W x  $18 \frac{7}{8}$ "D x  $29 \frac{1}{4}$ "H
- Drawer Inner Dimensions:  $7 \frac{1}{2}$ "W x  $17 \frac{1}{8}$ "D x 4"H
- Door Size:  $13 \frac{5}{8}$ "W x  $20 \frac{5}{16}$ "H
- Drawer Head Size:  $9 \frac{1}{2}$ "W x  $5 \frac{7}{8}$ "H
- False Drawer Head Size:  $28 \frac{9}{16}$ "W x  $5 \frac{7}{8}$ "H
- Cabinet Bottom Panel:  $40 \frac{7}{8}$ "W x  $19 \frac{1}{16}$ "D x  $\frac{9}{16}$ "T
- Toe kick:  $42$ "W x  $4 \frac{1}{2}$ "H x  $\frac{9}{16}$ "T

a	$1 \frac{3}{16}$ "
b	6"
c	$39 \frac{5}{8}$ "
d	30"
e	$9 \frac{11}{16}$ "
f	$13 \frac{25}{32}$ "
g	42"

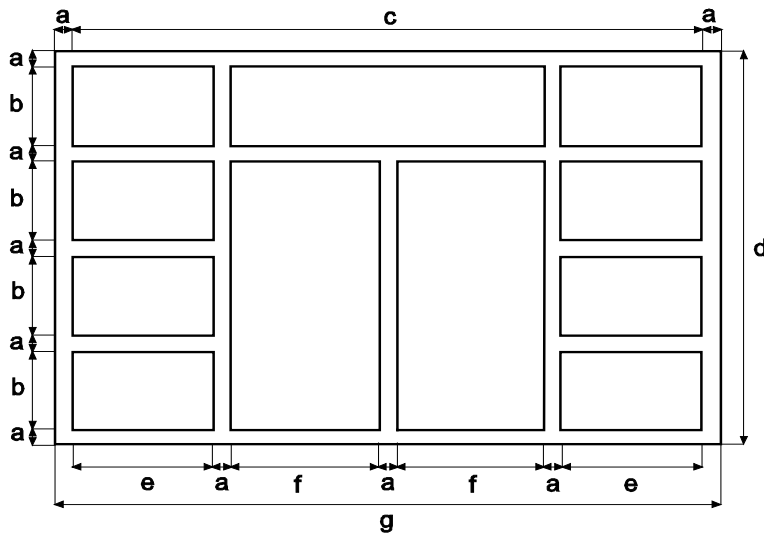
\* Inner width is distance between far side panel and drawers

- Both top drawers are false, non-working drawers

a	$29 \frac{3}{4}$ "
b	$11 \frac{1}{2}$ "
c	$1 \frac{1}{2}$ "



**VDW-V4821D**

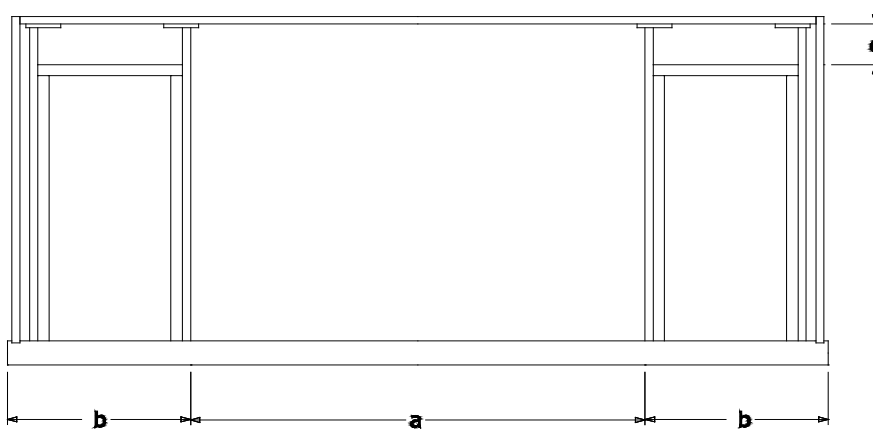


a	1 3/16"
b	6"
c	45 5/8"
d	30"
e	9 11/16"
f	11 11/32"
g	48"

- 2 Door / 6 Drawer Vanity
- Door Opening: 11 11/32"W x 20 7/16"H
- Drawer Openings: 9 11/16"W x 6"H
- Cabinet Inner Dimensions:\* 25"W x 18 7/8"D x 29 1/4"H
- Drawer Inner Dimensions: 7 1/2"W x 17 1/8"D x 4"H
- Door Size: 11 7/32"W x 20 5/16"H
- Drawer Head Size: 9 1/2"W x 5 7/8"H
- False Drawer Head Size: 23 11/16"W x 5 7/8"H
- Cabinet Bottom Panel: 46 7/8"W x 19 1/16"D x 9/16"T
- Toe kick: 48"W x 4 1/2"H x 9/16"T

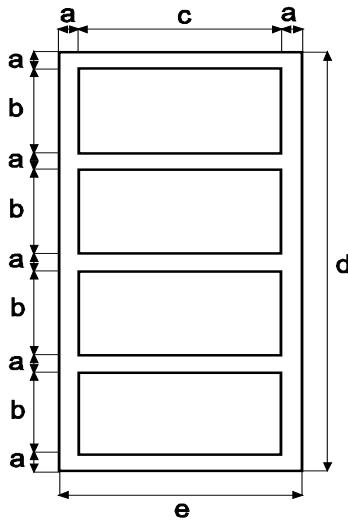
\* Inner width is distance between drawers on the left and drawers on the right.

- All three top drawers are false, non-working drawers



a	25"
b	11 1/2"
c	1 1/2"

**VDW-VDB1221**

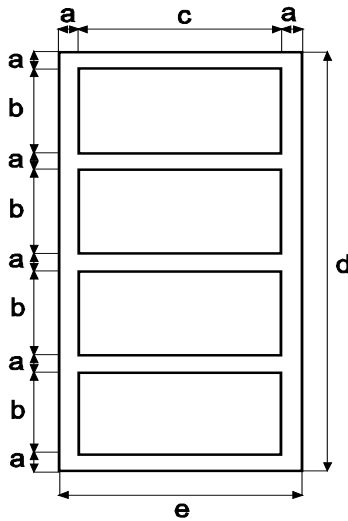


a	1 3/16"
b	6"
c	9 5/8"
d	30"
e	12"

- 4 Drawer Base
- Drawer Opening: 9 5/8"W x 6"H
- Drawer Head Size: 9 7/16"W x 5 7/8"H
- Drawer Inner Dim.: 7 1/2"W x 17 1/8"D x 4"H
- Drawer Bottom Panel Size: 7 13/16"W x 17 15/16"D x 5/16"T
- Cabinet Bottom Panel: 10 7/8"W x 19 1/16"D x 9/16"T
- Toe kick: 12"W x 4 1/2"H x 9/16"T

- All four drawers are fully functional, working drawers

**VDW-VDB1521**

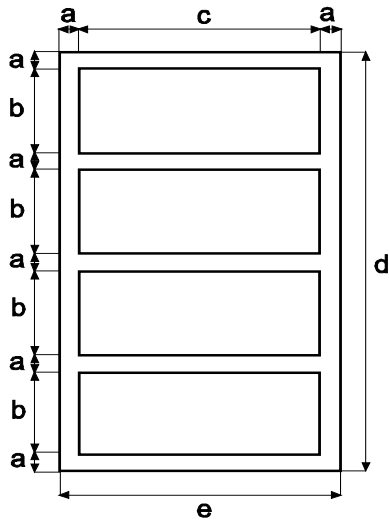


a	1 3/16"
b	6"
c	12 5/8"
d	30"
e	15"

- 4 Drawer Base
- Drawer Opening: 12 5/8"W x 6"H
- Drawer Head Size: 12 7/16"W x 5 7/8"H
- Drawer Inner Dim.: 10 1/2"W x 17 1/8"D x 4"H
- Drawer Bottom Panel Size: 10 13/16"W x 17 15/16"D x 5/16"T
- Cabinet Bottom Panel: 13 7/8"W x 19 1/16"D x 9/16"T
- Toe kick: 15"W x 4 1/2"H x 9/16"T

- All four drawers are fully functional, working drawers

**VDW-VDB1821**

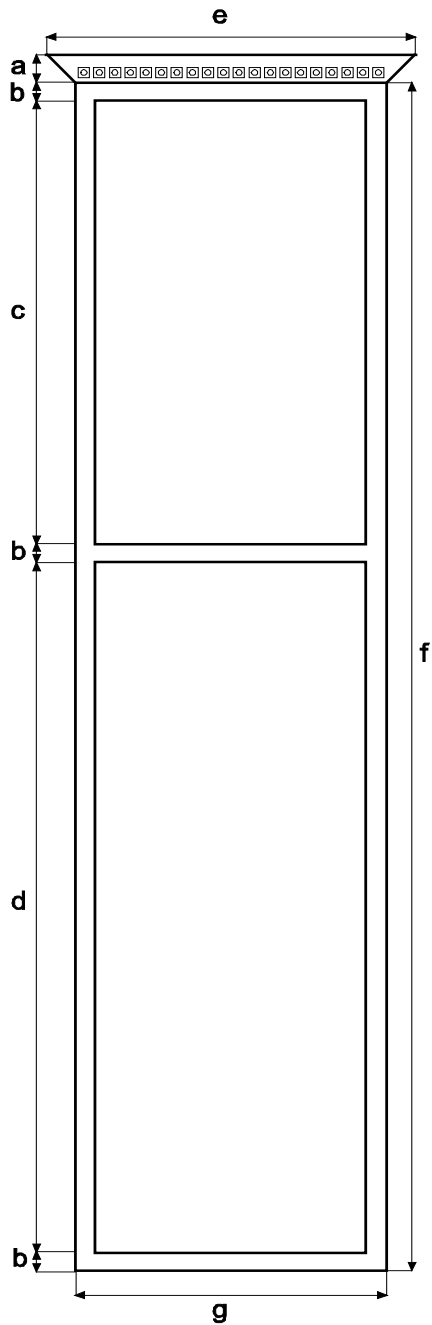


a	1 3/16"
b	6"
c	15 5/8"
d	30"
e	18"

- 4 Drawer Base
- Drawer Opening: 15 5/8"W x 6"H
- Drawer Head Size: 15 7/16"W x 5 7/8"H
- Drawer Inner Dim.: 13 1/2"W x 17 1/8"D x 4"H
- Drawer Bottom Panel Size: 13 13/16"W x 17 15/16"D x 5/16"T
- Cabinet Bottom Panel: 16 7/8"W x 19 1/16"D x 9/16"T
- Toe kick: 18"W x 4 1/2"H x 9/16"T

- All four drawers are fully functional, working drawers

**VDW-VLC1884**



a	2 3/8"
b	1 3/16"
c	30"
d	45 15/16"
e	21 7/8"
f	79 1/2"
g	18"

- 2 Door Linen Closet
- Upper Inner Dimensions: 16 1/2"W x 18 3/4"D x 30 1/2"H
- Bottom Inner Dimensions: 16 1/2"W x 18 3/4"D x 46 1/2"H
- Upper Door Size: 15 7/16"W x 29 7/8"H
- Bottom Door Size: 15 7/16"W x 45 13/16"H
- Shelf Size:\* 16 9/16"W x 18 3/4"D x 5/8"T

\* VLC1884 has 3 adjustable selves, 1 behind top door and 2 behind bottom door

- Cabinet top with crown comes in separate box
- Doors are reversible

## Dover (VD)

### General Specifications:

- Material: Frame and door are solid maple, cabinet box is plywood
- Finish: Painted white
- Interior: Natural maple finish
- Door design: Full overlay
- Door panel: Recessed, 1/4" MDF square
- Drawer head design: Slab
- Hardware: Not included

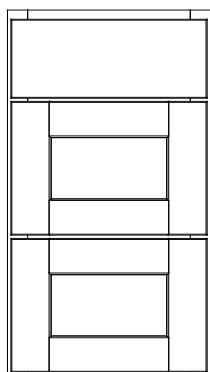
### Cabinet Specifications:

- Cabinet height: 34 1/2"
- Vanity depth: 21"
- Face frame: 3/4" x 1 1/2" Mortise & Tenon
- Side panels: 1/2" plywood with wood veneer on both sides
- Back panel: 1/2" plywood, open back for easy plumbing installation
- Bottom panel: 3/8" plywood with wood veneer on one side
- Toe kick: 1/2" x 4 1/2" plywood finished to match
- Center style: There is no center style on double door units
- Hinge: Soft closing, concealed cup hinge with a 110 degree opening and 3-dimensional adjustment (side, depth and height adjustment)

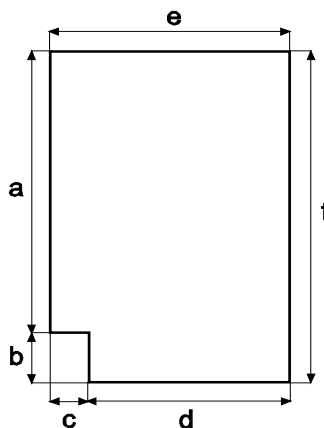
### Drawer Construction:

- Drawer design: Dovetail drawer
- Drawer sides: 3/4" solid wood
- Drawer bottom: 3/8" plywood with wood veneer
- Drawer glides: Under mount, full extension, soft closing glides
- Availability: Drawers are available on the left and right
- Upgrade: BLUM glides available

### Door Style:

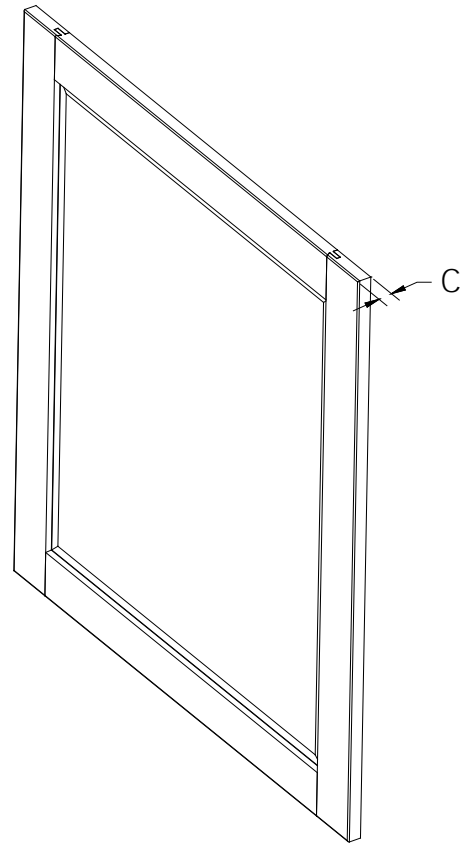
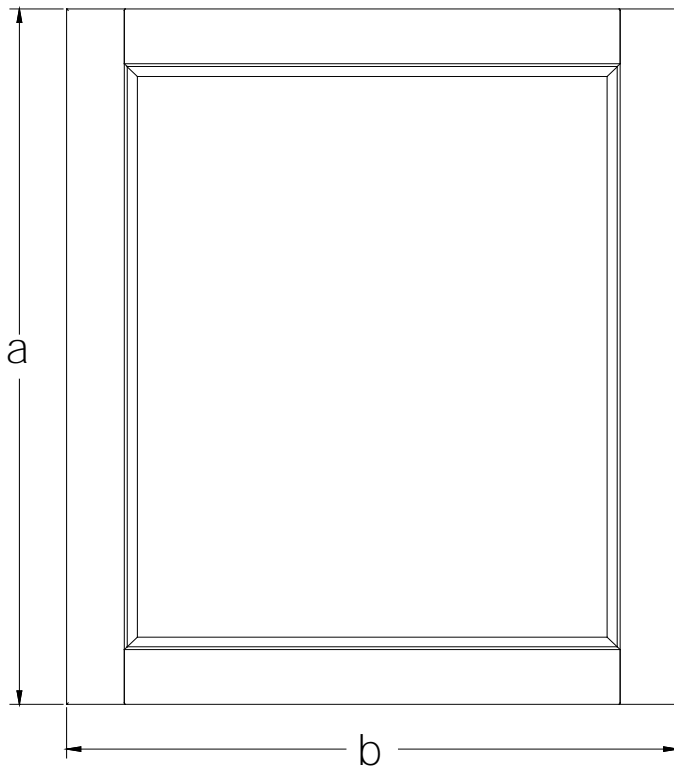


### Side Panel Dimensions:



a	30"
b	4 1/2"
c	2 3/8"
d	18"
e	20 3/8"
f	34 1/2"

**VD-MR3036**



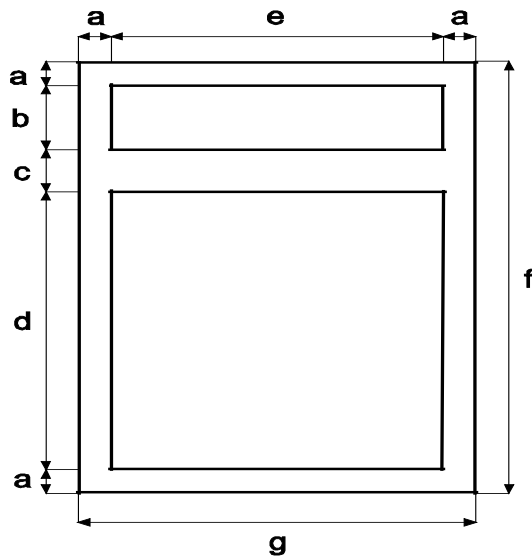
a	36"
b	30"
c	$\frac{3}{4}$ "

Glass Dimensions: 25  $\frac{1}{8}$ "W x 31  $\frac{1}{8}$ "H

- Mirror glass is beveled



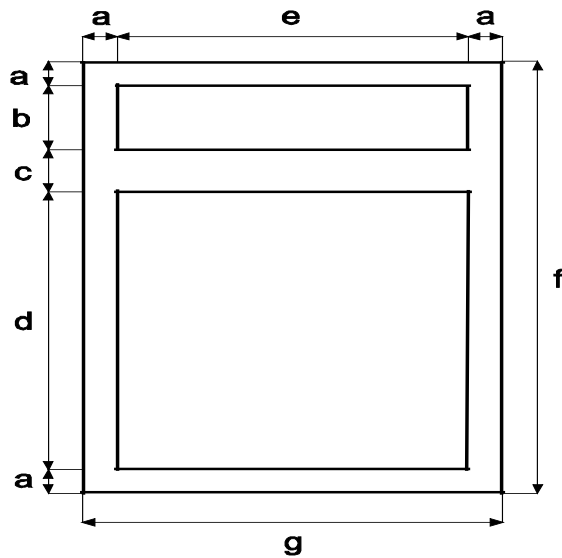
**VD-V2421B**



a	1 1/2"
b	5 5/32"
c	1 1/2"
d	20 11/32"
e	21"
f	30"
g	24"

- 2 Door Vanity
- Door Opening: 21"W x 20 11/32"H
- Cabinet Inner Dimensions: 22 1/2"W x 19 3/4"D x 28 3/4"H
- Door Size: 11 11/16"W x 22 1/4"H
- False Drawer Head Size: 23 1/2"W x 6 1/2"H
- Cabinet Bottom Panel: 22 7/8"W x 20"D x 3/8"T
- Toe kick: 24"W x 4 1/2"H x 1/2"T

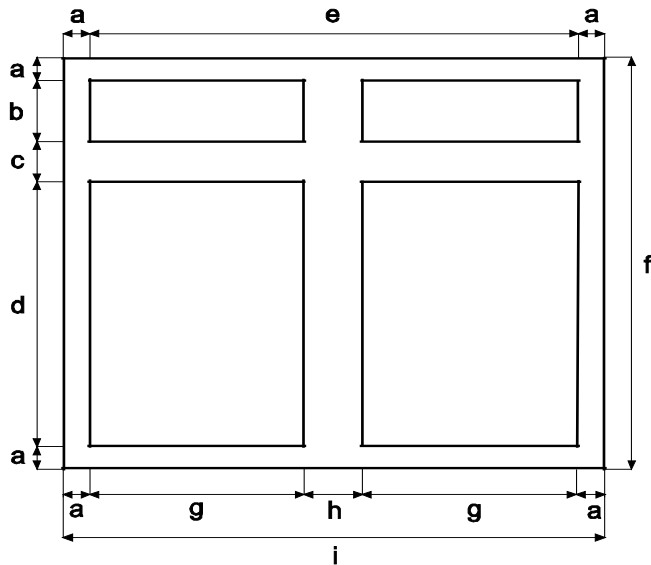
**VD-V3021B**



a	1 1/2"
b	5 5/32"
c	1 1/2"
d	20 11/32"
e	27"
f	30"
g	30"

- 2 Door Vanity
- Door Opening: 27"W x 20 11/32"H
- Cabinet Inner Dimensions: 28 1/2"W x 19 3/4"D x 28 3/4"H
- Door Size: 14 11/16"W x 22 1/4"H
- False Drawer Head Size: 29 1/2"W x 6 1/2"H
- Cabinet Bottom Panel: 28 7/8"W x 20"D x 3/8"T
- Toe kick: 30"W x 4 1/2"H x 1/2"T

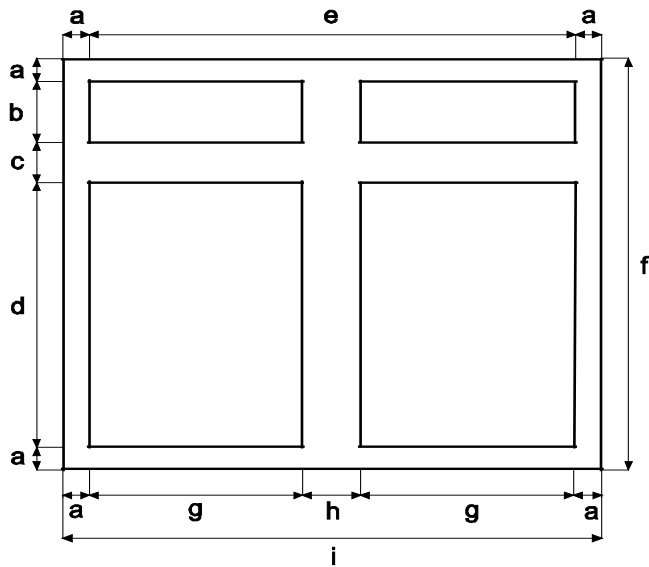
**VD-V3621**



a	1 1/2"
b	5 5/32"
c	1 1/2"
d	20 11/32"
e	33"
f	30"
g	15"
h	3"
i	36"

- 2 Door Vanity
- Door Opening: 15"W x 20 11/32"H
- Cabinet Inner Dimensions: 34 1/2"W x 19 3/4"D x 28 3/4"H
- Door Size: 17 1/2"W x 22 1/4"H
- False Drawer Head Size: 17 1/2"W x 6 1/2"H
- Cabinet Bottom Panel: 34 7/8"W x 20"D x 3/8"T
- Toe kick: 36"W x 4 1/2"H x 1/2"T

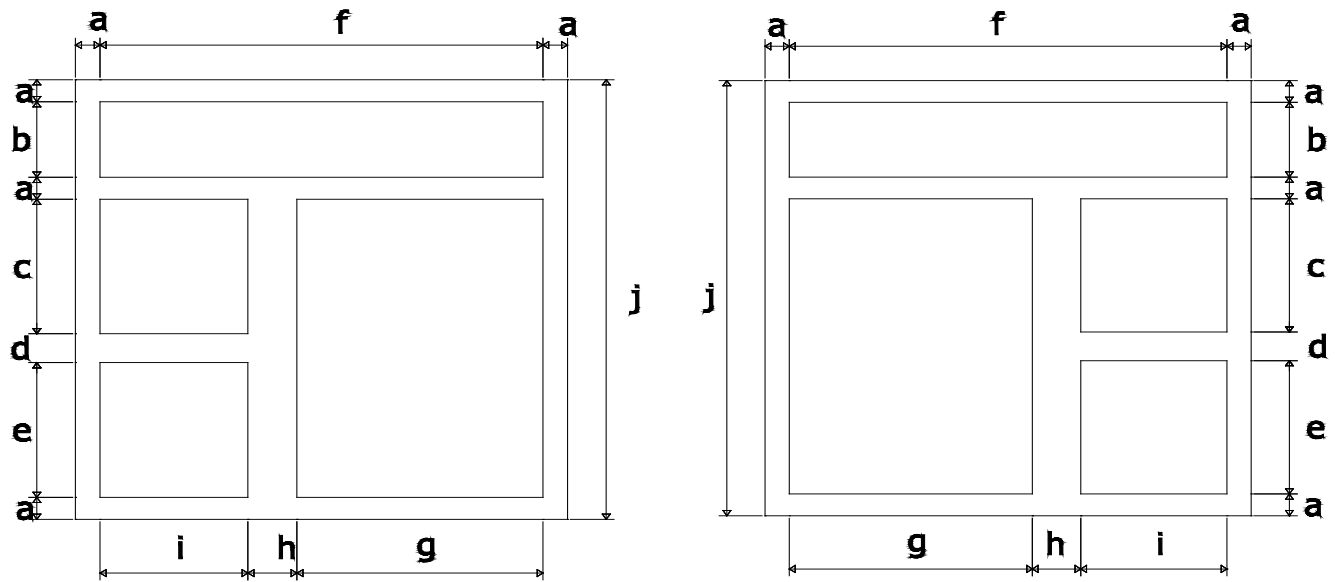
**VD-V4221**



a	1 1/2"
b	5 5/32"
c	1 1/2"
d	20 11/32"
e	39"
f	30"
g	18"
h	3"
i	42"

- 2 Door Vanity
- Door Opening: 18"W x 20 11/32"H
- Cabinet Inner Dimensions: 40 1/2"W x 19 3/4"D x 28 3/4"H
- Door Size: 20 1/2"W x 22 1/4"H
- False Drawer Head Size: 20 1/2"W x 6 1/2"H
- Cabinet Bottom Panel: 40 7/8"W x 20"D x 3/8"T
- Toe kick: 42"W x 4 1/2"H x 1/2"T

### VD-V3021D



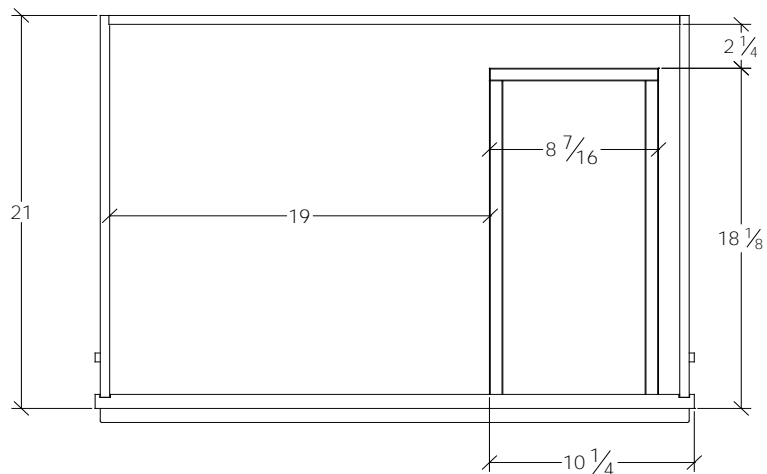
**VD-V3021D-L**

**VD-V3021D-R**

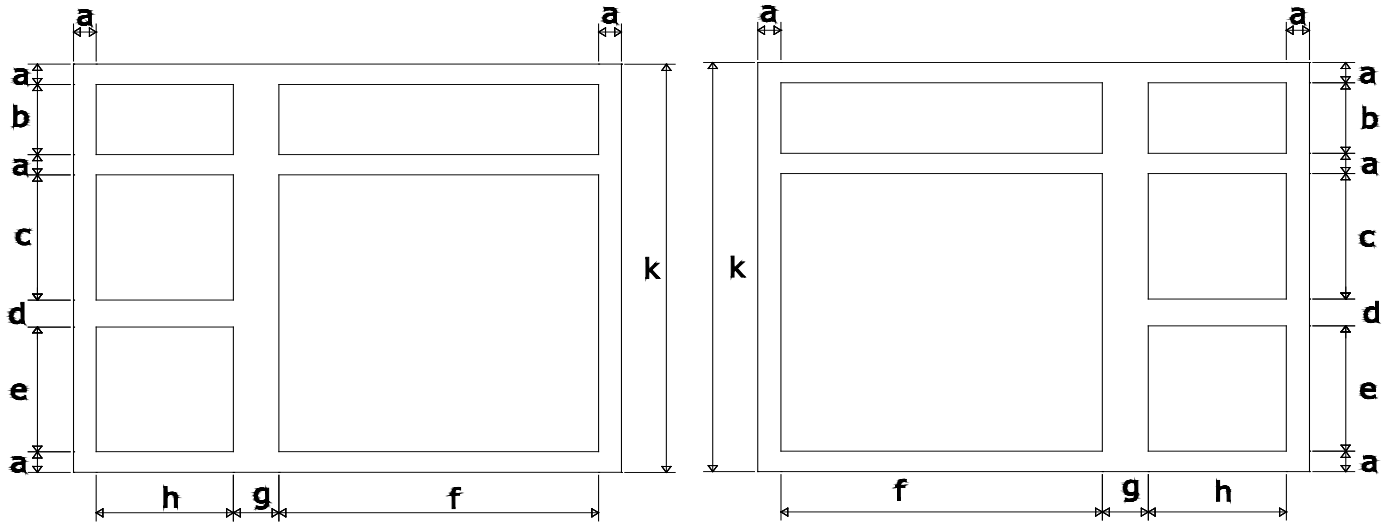
- 1 Door / 2 Drawer Vanity
- Door Opening: 15"W x 20 <sup>11</sup>/<sub>32</sub>"H
- Drawer Inner Dimensions: 7 <sup>1</sup>/<sub>8</sub>"W x 16 <sup>3</sup>/<sub>4</sub>"D x 7"H
- Drawer Outer Dimensions: 8 <sup>7</sup>/<sub>16</sub>"W x 18 <sup>1</sup>/<sub>8</sub>"D x 7 <sup>3</sup>/<sub>4</sub>"H
- Door Size: 17 <sup>1</sup>/<sub>2</sub>"W x 22 <sup>1</sup>/<sub>4</sub>"H
- Drawer Head Size: 11 <sup>1</sup>/<sub>2</sub>"W x 11"H
- False Drawer Head Size: 29 <sup>1</sup>/<sub>2</sub>"W x 6 <sup>1</sup>/<sub>2</sub>"H
- Cabinet Bottom Panel: 28 <sup>7</sup>/<sub>8</sub>"W x 20"D x <sup>3</sup>/<sub>8</sub>"T
- Toe kick: 30"W x 4 <sup>1</sup>/<sub>2</sub>"H x <sup>1</sup>/<sub>2</sub>"T

a	1 <sup>1</sup> / <sub>2</sub> "
b	5 <sup>5</sup> / <sub>32</sub> "
c	9 <sup>1</sup> / <sub>16</sub> "
d	2"
e	9 <sup>9</sup> / <sub>32</sub> "
f	27"
g	15"
h	3"
i	9"
j	30"

- Top drawer is a false, non-working drawer



## VD-V3621D



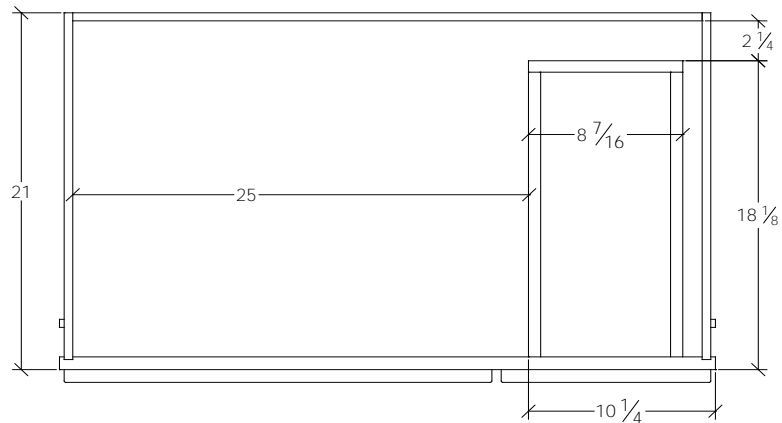
**VD-V3621D-L**

**VD-V3621D-R**

- 2 Door / 2 Drawer Vanity
- Door Opening: 21"W x 20 <sup>11</sup>/<sub>32</sub>"H
- Drawer Inner Dimensions: 7 <sup>1</sup>/<sub>8</sub>"W x 16 <sup>3</sup>/<sub>4</sub>"D x 7"H
- Drawer Outer Dimensions: 8 <sup>7</sup>/<sub>16</sub>"W x 18 <sup>1</sup>/<sub>8</sub>"D x 7 <sup>3</sup>/<sub>4</sub>"H
- Door Size: 11 <sup>11</sup>/<sub>16</sub>"W x 22 <sup>1</sup>/<sub>4</sub>"H
- Drawer Head Size: 11 <sup>1</sup>/<sub>2</sub>"W x 11"H
- Large False Drawer Head Size: 23 <sup>1</sup>/<sub>2</sub>"W x 6 <sup>1</sup>/<sub>2</sub>"H
- Small False Drawer Head Size: 11 <sup>1</sup>/<sub>2</sub>"W x 6 <sup>1</sup>/<sub>2</sub>"H
- Cabinet Bottom Panel: 34 <sup>7</sup>/<sub>8</sub>"W x 20"D x <sup>3</sup>/<sub>8</sub>"T
- Toe kick: 36"W x 4 <sup>1</sup>/<sub>2</sub>"H x <sup>1</sup>/<sub>2</sub>"T

a	1 <sup>1</sup> / <sub>2</sub> "
b	5 <sup>5</sup> / <sub>32</sub> "
c	9 <sup>1</sup> / <sub>16</sub> "
d	2"
e	9 <sup>9</sup> / <sub>32</sub> "
f	21"
g	3"
h	9"
k	30"

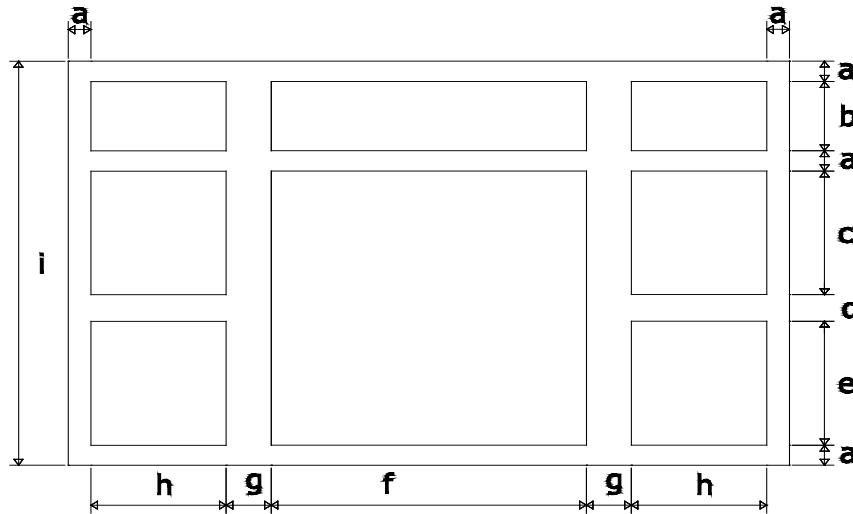
- Top drawers are a false, non-working drawers



TOP VIEW



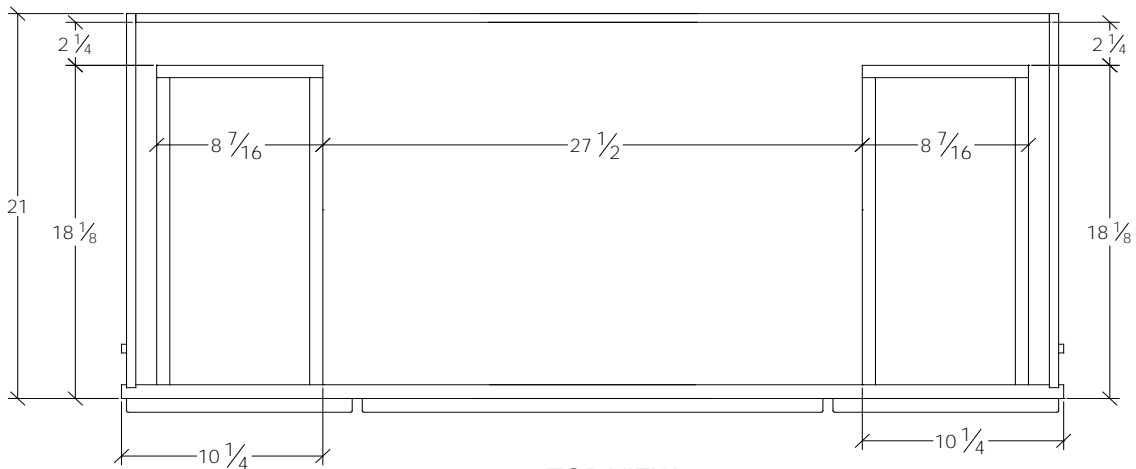
## VD-V4821D



- 2 Door / 4 Drawer Vanity
- Door Opening: 21"W x 20 <sup>11</sup>/<sub>32</sub>"H
- Drawer Inner Dimensions: 7 <sup>1</sup>/<sub>8</sub>"W x 16 <sup>3</sup>/<sub>4</sub>"D x 7"H
- Drawer Outer Dimensions: 8 <sup>7</sup>/<sub>16</sub>"W x 18 <sup>1</sup>/<sub>8</sub>"D x 7 <sup>3</sup>/<sub>4</sub>"H
- Door Size: 11 <sup>11</sup>/<sub>16</sub>"W x 22 <sup>1</sup>/<sub>4</sub>"H
- Drawer Head Size: 11 <sup>1</sup>/<sub>2</sub>"W x 11"H
- Large False Drawer Head Size: 23 <sup>1</sup>/<sub>2</sub>"W x 6 <sup>1</sup>/<sub>2</sub>"H
- Small False Drawer Head Size: 11 <sup>1</sup>/<sub>2</sub>"W x 6 <sup>1</sup>/<sub>2</sub>"H
- Cabinet Bottom Panel: 46 <sup>7</sup>/<sub>8</sub>"W x 20"D x <sup>3</sup>/<sub>8</sub>"T
- Toe kick: 48"W x 4 <sup>1</sup>/<sub>2</sub>"H x <sup>1</sup>/<sub>2</sub>"T

a	1 <sup>1</sup> / <sub>2</sub> "
b	5 <sup>5</sup> / <sub>32</sub> "
c	9 <sup>1</sup> / <sub>16</sub> "
d	2"
e	9 <sup>9</sup> / <sub>32</sub> "
f	21"
g	3"
h	9"
i	30"

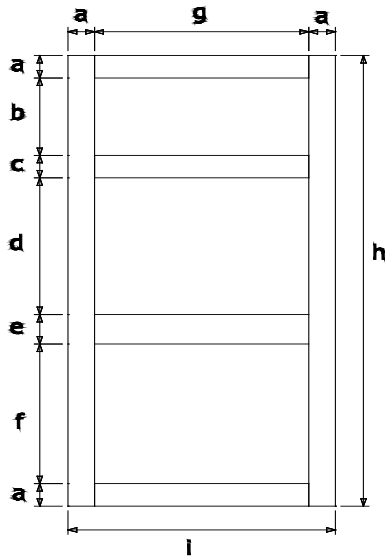
- Top drawers are a false, non-working drawers



TOP VIEW



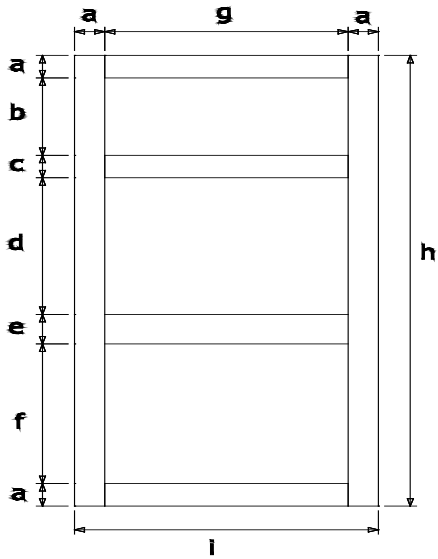
**VD-VDB1221**



a	1 1/2"
b	5 5/32"
c	1 1/2"
d	9 1/16"
e	2"
f	9 9/32"
g	9"
h	30"
i	12"

- 3 Drawer Base
- Top Drawer Head Size                    11 1/2"W x 6 1/2"H
- Bottom Drawer Head Size                11 1/2"W x 11"H
- Top Drawer Inner Dim.                    7 1/8"W x 16 3/4"D x 3 1/4"H
- Bottom Drawer Inner Dim.                7 1/8"W x 16 3/4"D x 7"H
- Top Drawer Outer Dim.                   8 7/16"W x 18 1/8"D x 4"H
- Bottom Drawer Outer Dim.               8 7/16"W x 18 1/8"D x 7 3/4"H

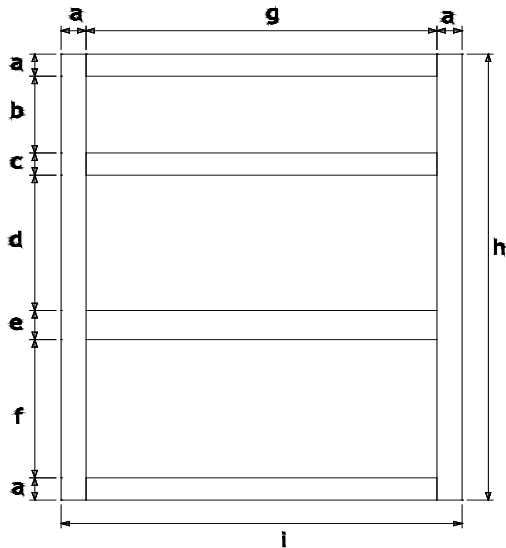
**VD-VDB1521**



a	1 1/2"
b	5 5/32"
c	1 1/2"
d	9 1/16"
e	2"
f	9 9/32"
g	12"
h	30"
i	15"

- 3 Drawer Base
- Top Drawer Head Size 14 1/2"W x 6 1/2"H
- Bottom Drawer Head Size 14 1/2"W x 11"H
- Top Drawer Inner Dim. 10 1/8"W x 16 3/4"D x 3 1/4"H
- Bottom Drawer Inner Dim. 10 1/8"W x 16 3/4"D x 7"H
- Top Drawer Outer Dim. 11 7/16"W x 18 1/8"D x 4"H
- Bottom Drawer Outer Dim. 11 7/16"W x 18 1/8"D x 7 3/4"H

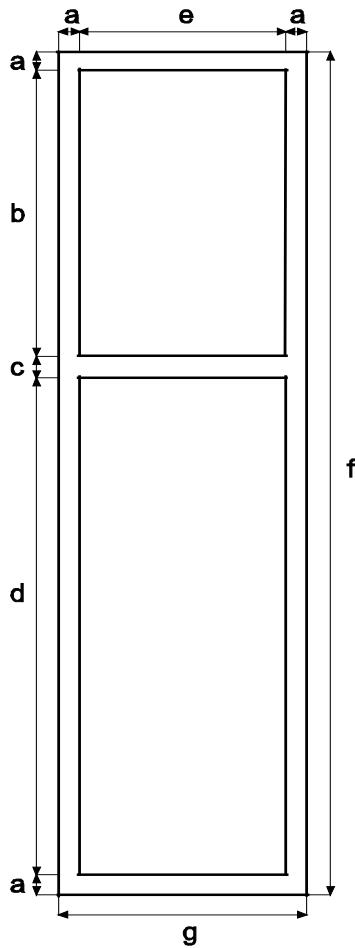
**VD-VDB1821**



a	1 1/2"
b	5 5/32"
c	1 1/2"
d	9 1/16"
e	2"
f	9 9/32"
g	15"
h	30"
i	18"

- 3 Drawer Base
- Top Drawer Head Size 17 1/2"W x 6 1/2"H
- Bottom Drawer Head Size 17 1/2"W x 11"H
- Top Drawer Inner Dim. 13 1/8"W x 16 3/4"D x 3 1/4"H
- Bottom Drawer Inner Dim. 13 1/8"W x 16 3/4"D x 7"H
- Top Drawer Outer Dim. 14 7/16"W x 18 1/8"D x 4"H
- Bottom Drawer Outer Dim. 14 7/16"W x 18 1/8"D x 7 3/4"H

**VD-VLC1884**



a	1 1/2"
b	27 3/4"
c	1 1/2"
d	47 1/4"
e	15"
f	79 1/2"
g	18"

- 2 Door Linen Closet
- Upper Inner Dimensions: 16 1/2"W x 28 1/8"H x 19 3/4"D
- Bottom Inner Dimensions: 16 1/2"W x 48 1/4"H x 19 3/4"D
- Upper Door Size: 17 1/2"W x 28 3/4"H
- Bottom Door Size: 17 1/2"W x 49 1/4"H
- Shelf Size:\* 16 5/16"W x 19 1/2"D

\* VLC1884 has 3 adjustable selves, 1 behind top door and 2 behind bottom door

- Doors are reversible
- Matching toe kick

## Branford Slab (VBS)

### General Specifications:

- Material: Frame and door are solid maple, cabinet box is plywood
- Finish: Espresso Stain
- Interior: Natural maple finish
- Door design: Full overlay
- Door panel:  $\frac{3}{8}$ " MDF reversed raised
- Drawer head design: Slab
- Hardware: Not included

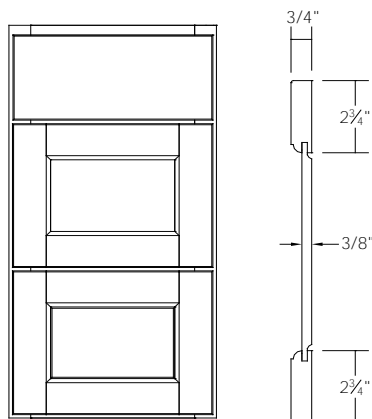
### Cabinet Specifications:

- Cabinet height: 34  $\frac{1}{2}$ "
- Vanity depth: 21"
- Face frame:  $\frac{3}{4}$ " x 1  $\frac{1}{2}$ " Mortise & Tenon
- Side panels:  $\frac{1}{2}$ " plywood with wood veneer on both sides
- Back panel:  $\frac{1}{2}$ " plywood, open back for easy plumbing installation
- Bottom panel:  $\frac{3}{8}$ " plywood with wood veneer on one side
- Toe kick:  $\frac{1}{2}$ " x 4  $\frac{1}{2}$ " plywood finished to match
- Center style: There is no center style on double door units
- Hinge: Soft closing, concealed cup hinge with a 110 degree opening and 3-dimensional adjustment (side, depth and height adjustment)

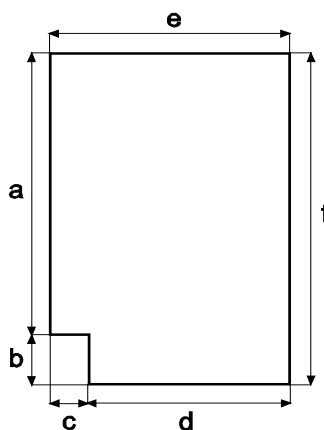
### Drawer Construction:

- Drawer design: Dovetail drawer
- Drawer sides:  $\frac{3}{4}$ " solid wood
- Drawer bottom:  $\frac{3}{8}$ " plywood with wood veneer
- Drawer glides: Under mount, full extension, soft closing glides
- Availability: Drawers are available on the left and right
- Upgrade: BLUM glides available

### Door Style:

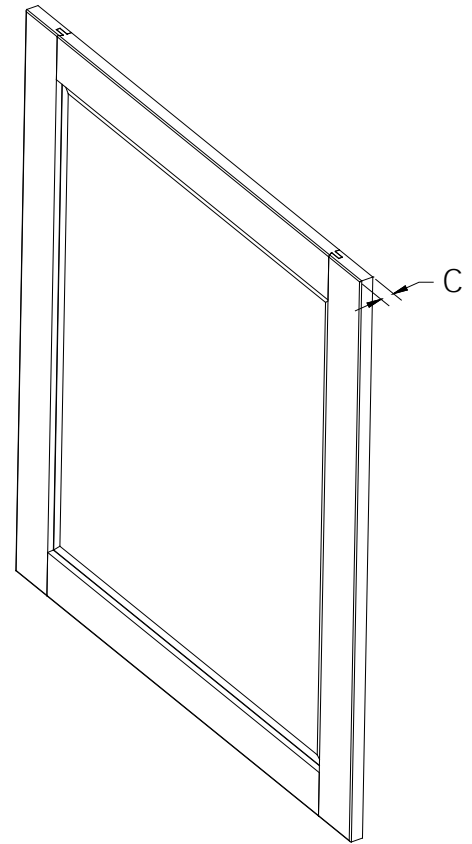
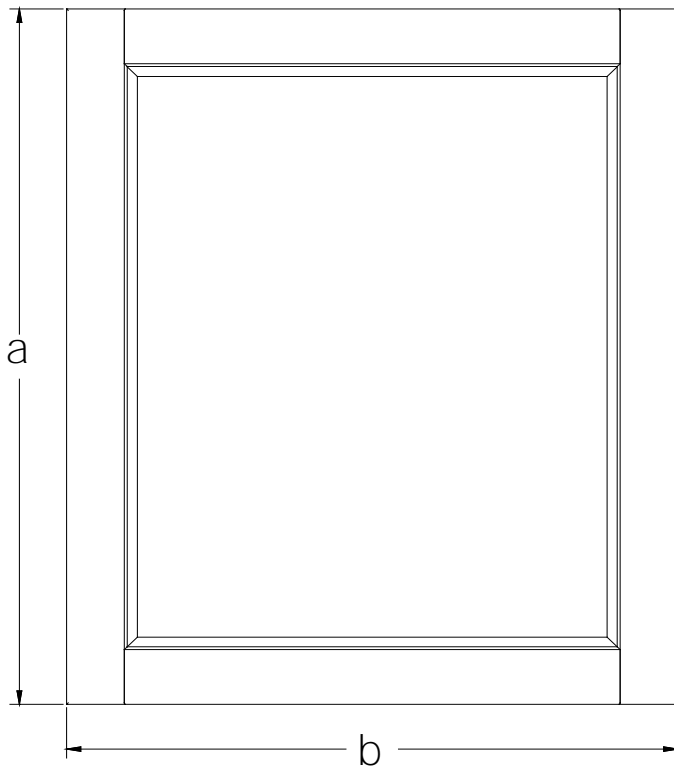


### Side Panel Dimensions:



a	30"
b	4 $\frac{1}{2}$ "
c	2 $\frac{3}{8}$ "
d	18"
e	20 $\frac{3}{8}$ "
f	34 $\frac{1}{2}$ "

**VBS-MR3036**

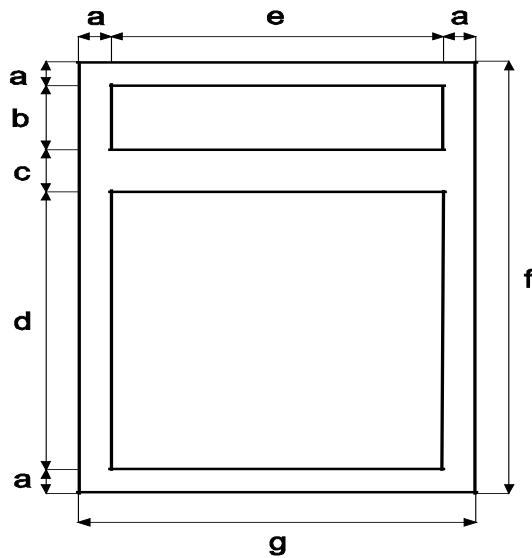


a	36"
b	30"
c	$\frac{3}{4}$ "

Glass Dimensions: 25  $\frac{1}{8}$ "W x 31  $\frac{1}{8}$ "H

- Mirror glass is beveled

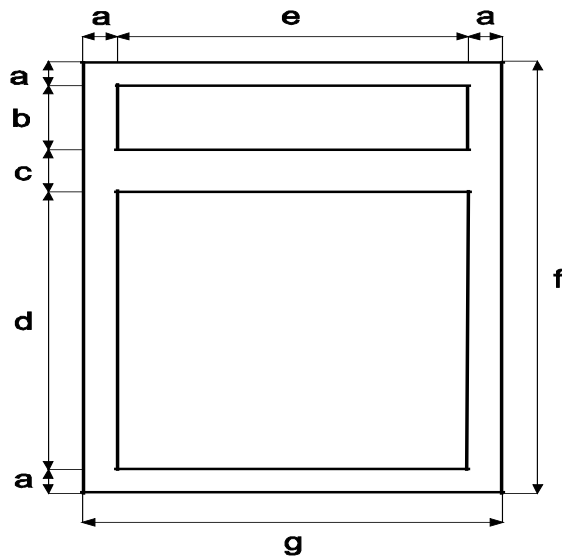
**VBS-V2421B**



a	1 1/2"
b	5 5/32"
c	1 1/2"
d	20 11/32"
e	21"
f	30"
g	24"

- 2 Door Vanity
- Door Opening: 21"W x 20 11/32"H
- Cabinet Inner Dimensions: 22 1/2"W x 19 3/4"D x 28 3/4"H
- Door Size: 11 11/16"W x 22 1/4"H
- False Drawer Head Size: 23 1/2"W x 6 1/2"H
- Cabinet Bottom Panel: 22 7/8"W x 20"D x 3/8"T
- Toe kick: 24"W x 4 1/2"H x 1/2"T

**VBS-V3021B**

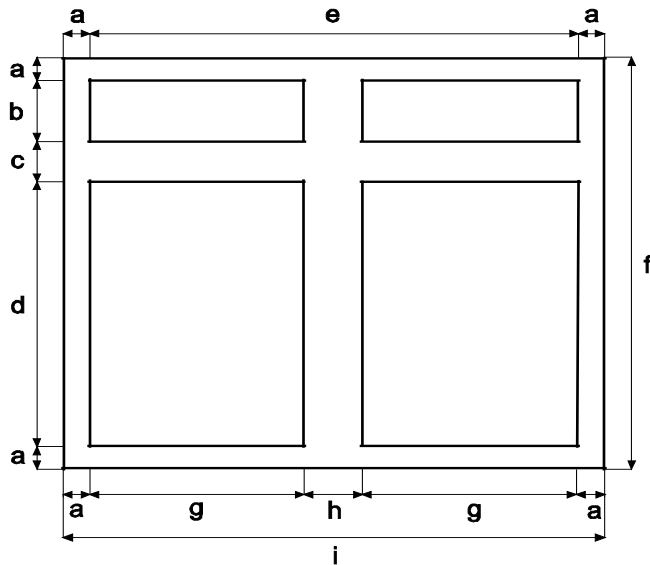


a	1 1/2"
b	5 5/32"
c	1 1/2"
d	20 11/32"
e	27"
f	30"
g	30"

- 2 Door Vanity
- Door Opening: 27"W x 20 11/32"H
- Cabinet Inner Dimensions: 28 1/2"W x 19 3/4"D x 28 3/4"H
- Door Size: 14 11/16"W x 22 1/4"H
- False Drawer Head Size: 29 1/2"W x 6 1/2"H
- Cabinet Bottom Panel: 28 7/8"W x 20"D x 3/8"T
- Toe kick: 30"W x 4 1/2"H x 1/2"T



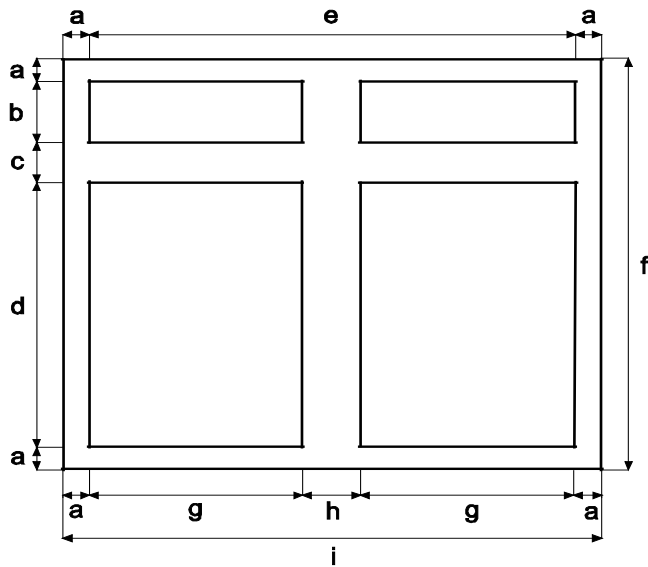
## VBS-V3621



a	1 1/2"
b	5 5/32"
c	1 1/2"
d	20 11/32"
e	33"
f	30"
g	15"
h	3"
i	36"

- 2 Door Vanity
- Door Opening: 15"W x 20 11/32"H
- Cabinet Inner Dimensions: 34 1/2"W x 19 3/4"D x 28 3/4"H
- Door Size: 17 1/2"W x 22 1/4"H
- False Drawer Head Size: 17 1/2"W x 6 1/2"H
- Cabinet Bottom Panel: 34 7/8"W x 20"D x 3/8"T
- Toe kick: 36"W x 4 1/2"H x 1/2"T

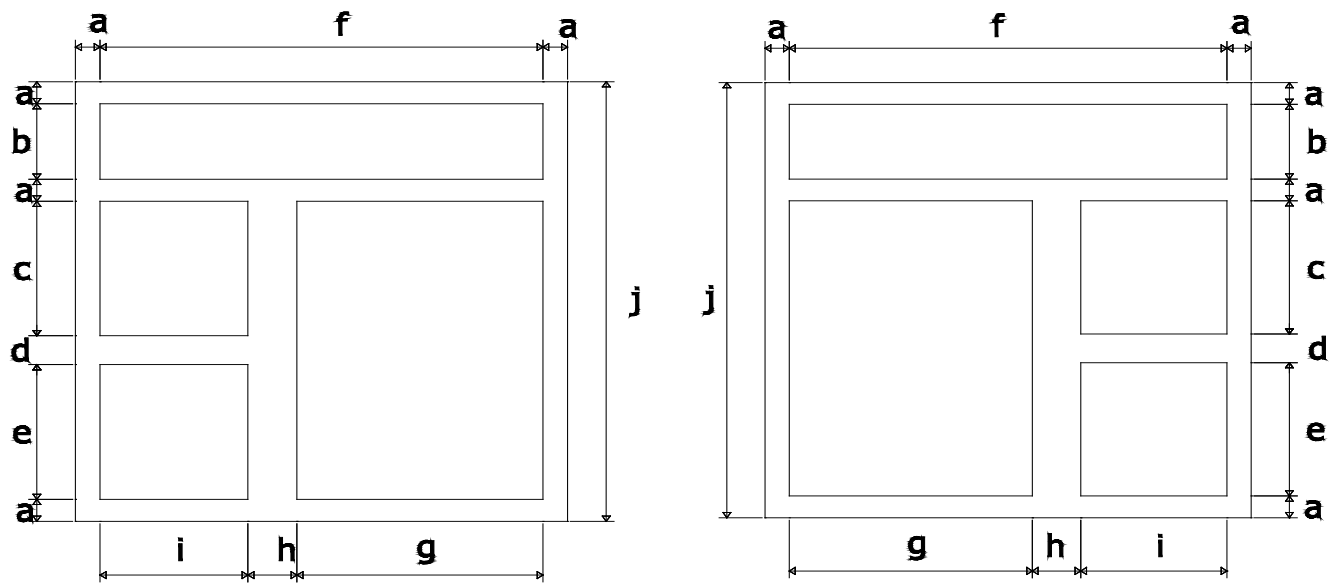
**VBS-V4221**



a	1 1/2"
b	5 5/32"
c	1 1/2"
d	20 11/32"
e	39"
f	30"
g	18"
h	3"
i	42"

- 2 Door Vanity
- Door Opening: 18"W x 20 11/32"H
- Cabinet Inner Dimensions: 40 1/2"W x 19 3/4"D x 28 3/4"H
- Door Size: 20 1/2"W x 22 1/4"H
- False Drawer Head Size: 20 1/2"W x 6 1/2"H
- Cabinet Bottom Panel: 40 7/8"W x 20"D x 3/8"T
- Toe kick: 42"W x 4 1/2"H x 1/2"T

**VBS-V3021D**



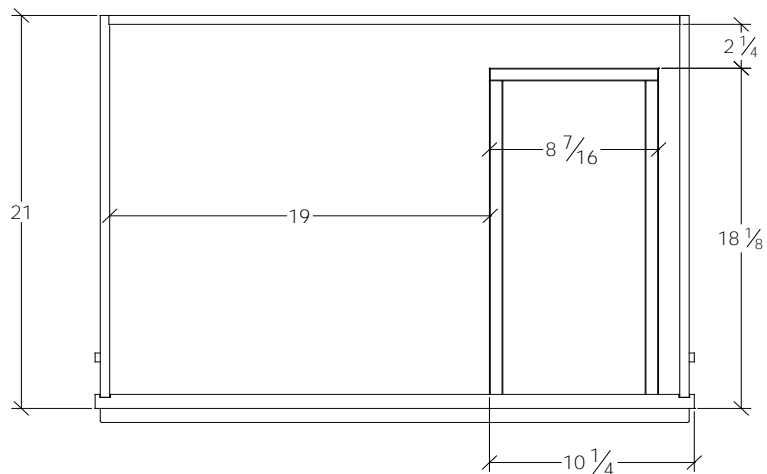
**VBS-V3021D-L**

- 1 Door / 2 Drawer Vanity
- Door Opening: 15"W x 20 <sup>11</sup>/<sub>32</sub>"H
- Drawer Inner Dimensions: 7 <sup>1</sup>/<sub>8</sub>"W x 16 <sup>3</sup>/<sub>4</sub>"D x 7"H
- Drawer Outer Dimensions: 8 <sup>7</sup>/<sub>16</sub>"W x 18 <sup>1</sup>/<sub>8</sub>"D x 7 <sup>3</sup>/<sub>4</sub>"H
- Door Size: 17 <sup>1</sup>/<sub>2</sub>"W x 22 <sup>1</sup>/<sub>4</sub>"H
- Drawer Head Size: 11 <sup>1</sup>/<sub>2</sub>"W x 11"H
- False Drawer Head Size: 29 <sup>1</sup>/<sub>2</sub>"W x 6 <sup>1</sup>/<sub>2</sub>"H
- Cabinet Bottom Panel: 28 <sup>7</sup>/<sub>8</sub>"W x 20"D x <sup>3</sup>/<sub>8</sub>"T
- Toe kick: 30"W x 4 <sup>1</sup>/<sub>2</sub>"H x <sup>1</sup>/<sub>2</sub>"T

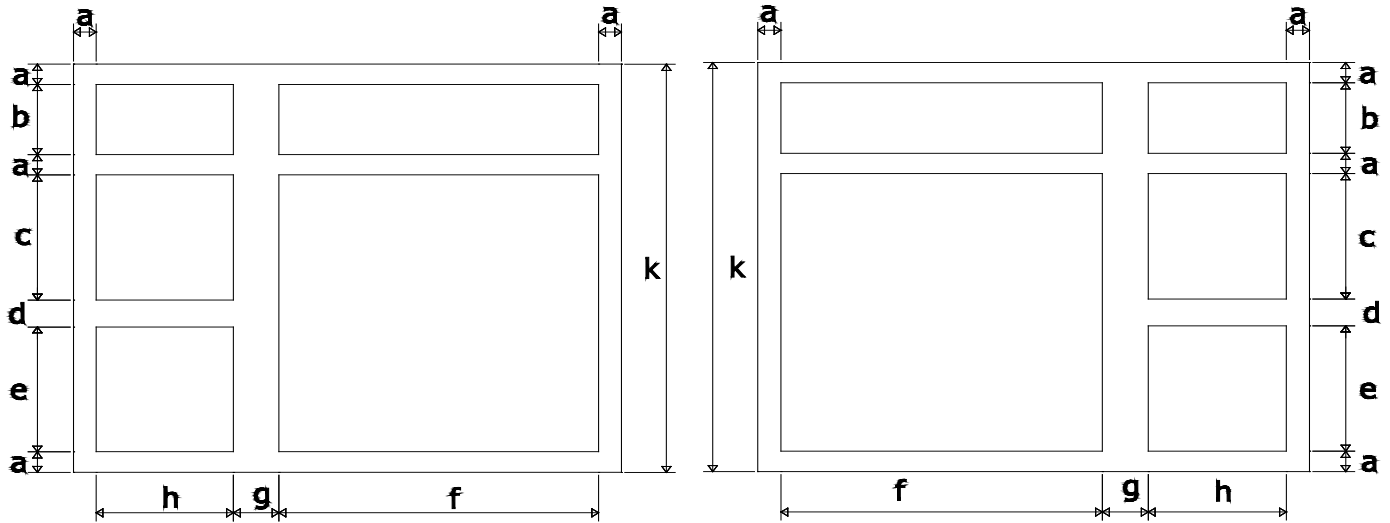
**VBS-V3021D-R**

a	1 <sup>1</sup> / <sub>2</sub> "
b	5 <sup>5</sup> / <sub>32</sub> "
c	9 <sup>1</sup> / <sub>16</sub> "
d	2"
e	9 <sup>9</sup> / <sub>32</sub> "
f	27"
g	15"
h	3"
i	9"
j	30"

- Top drawer is a false, non-working drawer



## VBS-V3621D



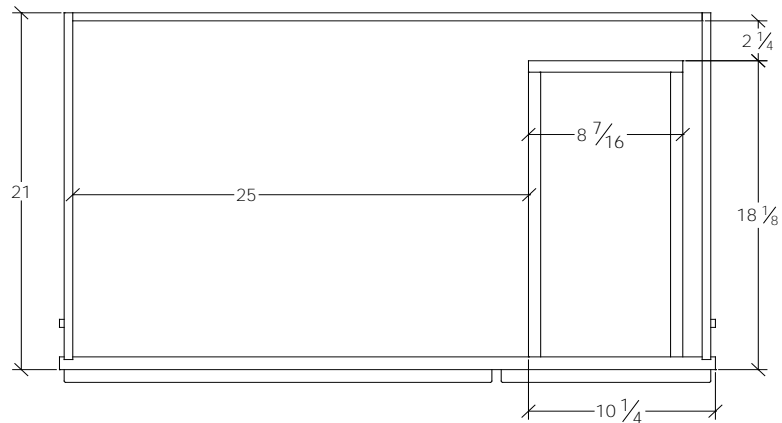
**VBS-V3621D-L**

**VBS-V3621D-R**

- 2 Door / 2 Drawer Vanity
- Door Opening: 21"W x 20 <sup>11</sup>/<sub>32</sub>"H
- Drawer Inner Dimensions: 7 <sup>1</sup>/<sub>8</sub>"W x 16 <sup>3</sup>/<sub>4</sub>"D x 7"H
- Drawer Outer Dimensions: 8 <sup>7</sup>/<sub>16</sub>"W x 18 <sup>1</sup>/<sub>8</sub>"D x 7 <sup>3</sup>/<sub>4</sub>"H
- Door Size: 11 <sup>11</sup>/<sub>16</sub>"W x 22 <sup>1</sup>/<sub>4</sub>"H
- Drawer Head Size: 11 <sup>1</sup>/<sub>2</sub>"W x 11"H
- Large False Drawer Head Size: 23 <sup>1</sup>/<sub>2</sub>"W x 6 <sup>1</sup>/<sub>2</sub>"H
- Small False Drawer Head Size: 11 <sup>1</sup>/<sub>2</sub>"W x 6 <sup>1</sup>/<sub>2</sub>"H
- Cabinet Bottom Panel: 34 <sup>7</sup>/<sub>8</sub>"W x 20"D x <sup>3</sup>/<sub>8</sub>"T
- Toe kick: 36"W x 4 <sup>1</sup>/<sub>2</sub>"H x <sup>1</sup>/<sub>2</sub>"T

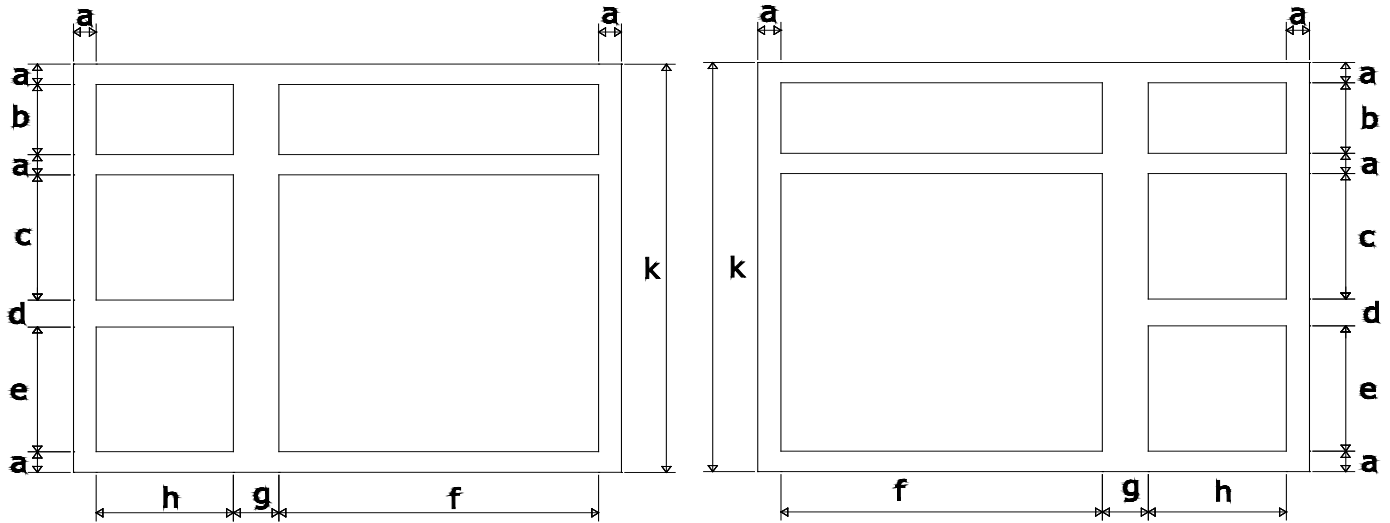
a	1 <sup>1</sup> / <sub>2</sub> "
b	5 <sup>5</sup> / <sub>32</sub> "
c	9 <sup>1</sup> / <sub>16</sub> "
d	2"
e	9 <sup>9</sup> / <sub>32</sub> "
f	21"
g	3"
h	9"
k	30"

- Top drawers are a false, non-working drawers



TOP VIEW

**VBS-V4221D**



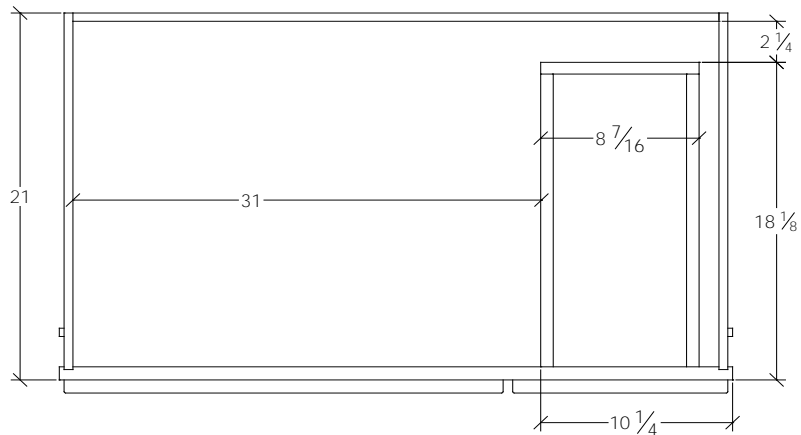
**VBS-V4221D-L**

**VBS-V4221D-R**

- 2 Door / 2 Drawer Vanity
- Door Opening: 21"W x 20 <sup>11</sup>/<sub>32</sub>"H
- Drawer Inner Dimensions: 7 <sup>1</sup>/<sub>8</sub>"W x 16 <sup>3</sup>/<sub>4</sub>"D x 7"H
- Drawer Outer Dimensions: 8 <sup>7</sup>/<sub>16</sub>"W x 18 <sup>1</sup>/<sub>8</sub>"D x 7 <sup>3</sup>/<sub>4</sub>"H
- Door Size: 11 <sup>11</sup>/<sub>16</sub>"W x 22 <sup>1</sup>/<sub>4</sub>"H
- Drawer Head Size: 11 <sup>1</sup>/<sub>2</sub>"W x 11"H
- Large False Drawer Head Size: 23 <sup>1</sup>/<sub>2</sub>"W x 6 <sup>1</sup>/<sub>2</sub>"H
- Small False Drawer Head Size: 11 <sup>1</sup>/<sub>2</sub>"W x 6 <sup>1</sup>/<sub>2</sub>"H
- Cabinet Bottom Panel: 34 <sup>7</sup>/<sub>8</sub>"W x 20"D x <sup>3</sup>/<sub>8</sub>"T
- Toe kick: 36"W x 4 <sup>1</sup>/<sub>2</sub>"H x <sup>1</sup>/<sub>2</sub>"T

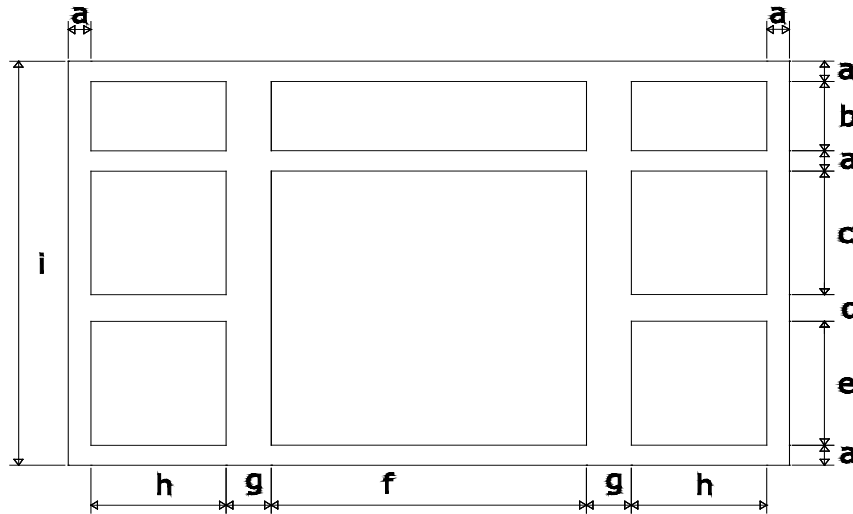
a	1 <sup>1</sup> / <sub>2</sub> "
b	5 <sup>5</sup> / <sub>32</sub> "
c	9 <sup>1</sup> / <sub>16</sub> "
d	2"
e	9 <sup>9</sup> / <sub>32</sub> "
f	27"
g	3"
h	9"
k	30"

- Top drawers are a false, non-working drawers



**TOP VIEW**

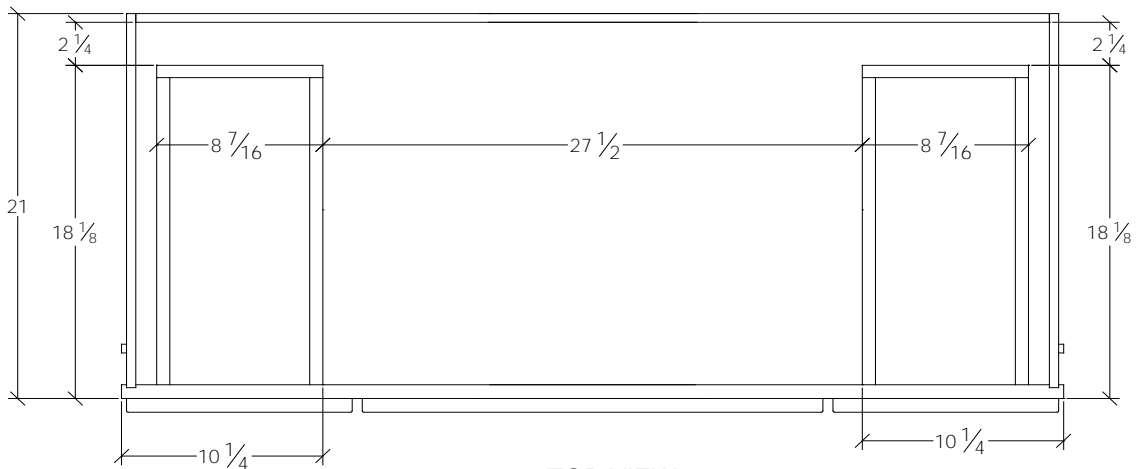
## VBS-V4821D



- 2 Door / 4 Drawer Vanity
- Door Opening: 21"W x 20 <sup>11</sup>/<sub>32</sub>"H
- Drawer Inner Dimensions: 7 <sup>1</sup>/<sub>8</sub>"W x 16 <sup>3</sup>/<sub>4</sub>"D x 7"H
- Drawer Outer Dimensions: 8 <sup>7</sup>/<sub>16</sub>"W x 18 <sup>1</sup>/<sub>8</sub>"D x 7 <sup>3</sup>/<sub>4</sub>"H
- Door Size: 11 <sup>11</sup>/<sub>16</sub>"W x 22 <sup>1</sup>/<sub>4</sub>"H
- Drawer Head Size: 11 <sup>1</sup>/<sub>2</sub>"W x 11"H
- Large False Drawer Head Size: 23 <sup>1</sup>/<sub>2</sub>"W x 6 <sup>1</sup>/<sub>2</sub>"H
- Small False Drawer Head Size: 11 <sup>1</sup>/<sub>2</sub>"W x 6 <sup>1</sup>/<sub>2</sub>"H
- Cabinet Bottom Panel: 46 <sup>7</sup>/<sub>8</sub>"W x 20"D x <sup>3</sup>/<sub>8</sub>"T
- Toe kick: 48"W x 4 <sup>1</sup>/<sub>2</sub>"H x <sup>1</sup>/<sub>2</sub>"T

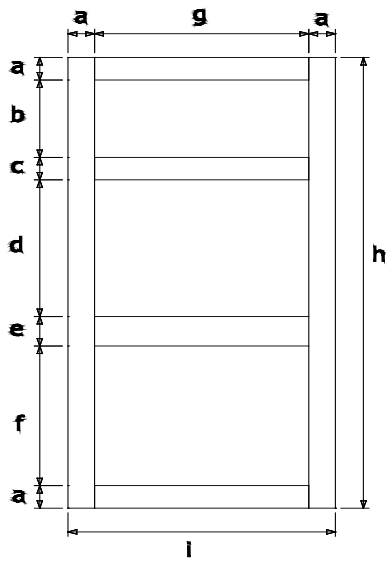
a	1 <sup>1</sup> / <sub>2</sub> "
b	5 <sup>5</sup> / <sub>32</sub> "
c	9 <sup>1</sup> / <sub>16</sub> "
d	2"
e	9 <sup>9</sup> / <sub>32</sub> "
f	21"
g	3"
h	9"
i	30"

- Top drawers are a false, non-working drawers



TOP VIEW

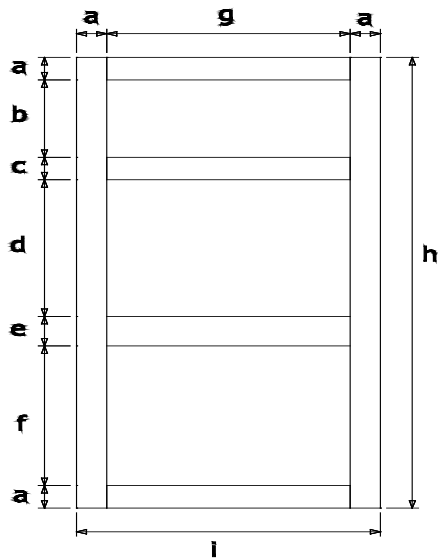
**VBS-VDB1221**



a	1 1/2"
b	5 5/32"
c	1 1/2"
d	9 1/16"
e	2"
f	9 9/32"
g	9"
h	30"
i	12"

- 3 Drawer Base
- Top Drawer Head Size                    11 1/2"W x 6 1/2"H
- Bottom Drawer Head Size                11 1/2"W x 11"H
- Top Drawer Inner Dim.                    7 1/8"W x 16 3/4"D x 3 1/4"H
- Bottom Drawer Inner Dim.                7 1/8"W x 16 3/4"D x 7"H
- Top Drawer Outer Dim.                    8 7/16"W x 18 1/8"D x 4"H
- Bottom Drawer Outer Dim.                8 7/16"W x 18 1/8"D x 7 3/4"H

**VBS-VDB1521**

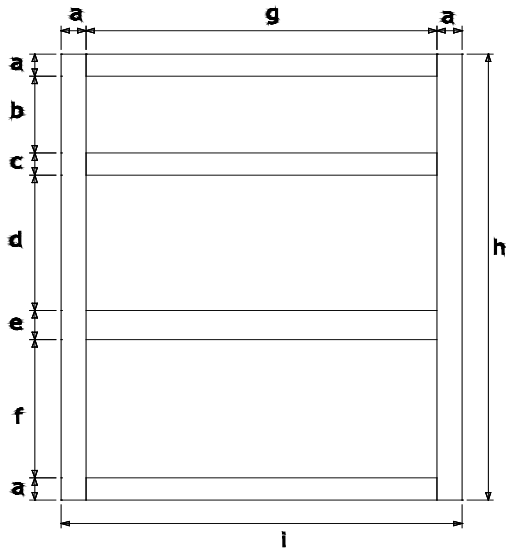


a	1 1/2"
b	5 5/32"
c	1 1/2"
d	9 1/16"
e	2"
f	9 9/32"
g	12"
h	30"
i	15"

- 3 Drawer Base
- Top Drawer Head Size 14 1/2"W x 6 1/2"H
- Bottom Drawer Head Size 14 1/2"W x 11"H
- Top Drawer Inner Dim. 10 1/8"W x 16 3/4"D x 3 1/4"H
- Bottom Drawer Inner Dim. 10 1/8"W x 16 3/4"D x 7"H
- Top Drawer Outer Dim. 11 7/16"W x 18 1/8"D x 4"H
- Bottom Drawer Outer Dim. 11 7/16"W x 18 1/8"D x 7 3/4"H



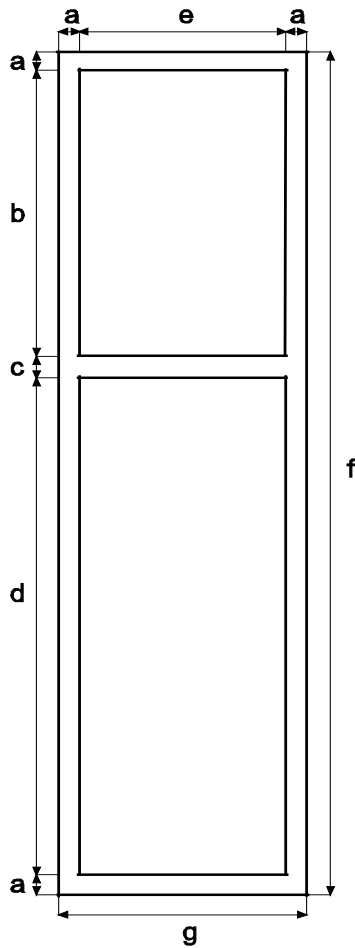
**VBS-VDB1821**



a	1 1/2"
b	5 5/32"
c	1 1/2"
d	9 1/16"
e	2"
f	9 9/32"
g	15"
h	30"
i	18"

- 3 Drawer Base
- Top Drawer Head Size 17 1/2"W x 6 1/2"H
- Bottom Drawer Head Size 17 1/2"W x 11"H
- Top Drawer Inner Dim. 13 1/8"W x 16 3/4"D x 3 1/4"H
- Bottom Drawer Inner Dim. 13 1/8"W x 16 3/4"D x 7"H
- Top Drawer Outer Dim. 14 7/16"W x 18 1/8"D x 4"H
- Bottom Drawer Outer Dim. 14 7/16"W x 18 1/8"D x 7 3/4"H

**VBS-VLC1884**



a	1 1/2"
b	27 3/4"
c	1 1/2"
d	47 1/4"
e	15"
f	79 1/2"
g	18"

- 2 Door Linen Closet
- Upper Inner Dimensions: 16 1/2"W x 28 1/8"H x 19 3/4"D
- Bottom Inner Dimensions: 16 1/2"W x 48 1/4"H x 19 3/4"D
- Upper Door Size: 17 1/2"W x 28 3/4"H
- Bottom Door Size: 17 1/2"W x 49 1/4"H
- Shelf Size:\* 16 5/16"W x 19 1/2"D

\* VLC1884 has 3 adjustable selves, 1 behind top door and 2 behind bottom door

- Doors are reversible
- Matching toe kick

## Dover Castle (VDC)

### General Specifications:

- Material: Frame and door are solid maple, cabinet box is plywood
- Finish: Dark Gray Paint
- Interior: Natural maple finish
- Door design: Full overlay
- Door panel:  $\frac{3}{16}$ " MDF recessed panel
- Drawer head design: Slab
- Hardware: Not included

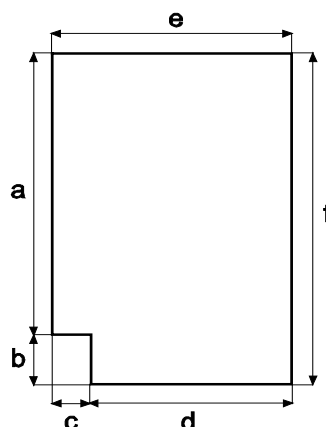
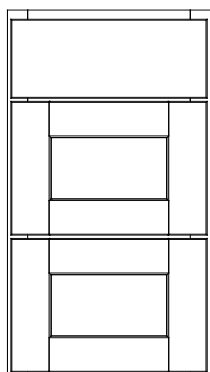
### Cabinet Specifications:

- Cabinet height: 34  $\frac{1}{2}$ "
- Vanity depth: 21"
- Face frame:  $\frac{3}{4}$ " x 1  $\frac{1}{2}$ " Mortise & Tenon
- Side panels:  $\frac{1}{2}$ " plywood with wood veneer on both sides
- Back panel:  $\frac{1}{2}$ " plywood, open back for easy plumbing installation
- Bottom panel:  $\frac{3}{8}$ " plywood with wood veneer on one side
- Toe kick:  $\frac{1}{2}$ " x 4  $\frac{1}{2}$ " plywood finished to match
- Center style: There is no center style on double door units
- Hinge: Soft closing, concealed cup hinge with a 110 degree opening and 3-dimensional adjustment (side, depth and height adjustment)

### Drawer Construction:

- Drawer design: Dovetail drawer
- Drawer sides:  $\frac{3}{4}$ " solid wood
- Drawer bottom:  $\frac{3}{8}$ " plywood with wood veneer
- Drawer glides: Under mount, full extension, soft closing glides
- Availability: Drawers are available on the left and right
- Upgrade: BLUM glides available

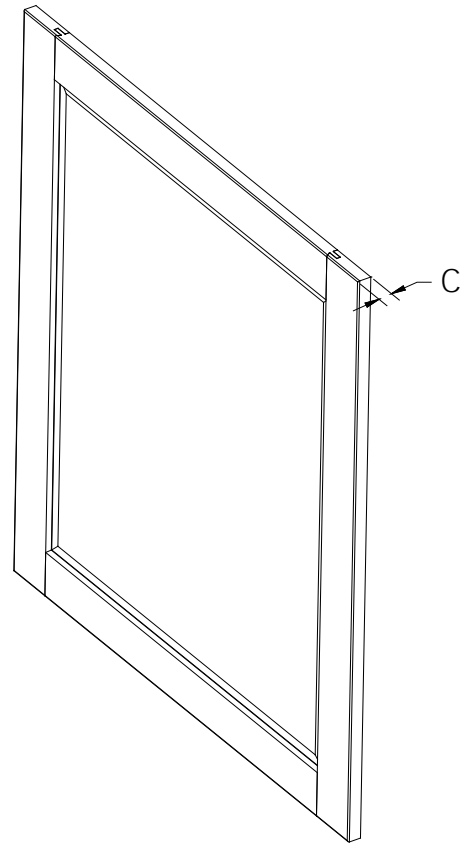
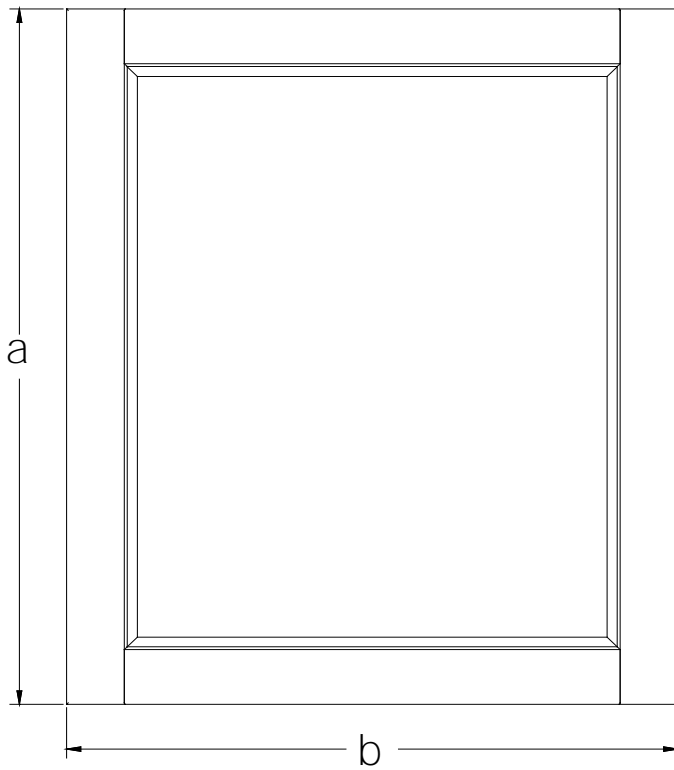
### Door Style:



a	30"
b	4 $\frac{1}{2}$ "
c	2 $\frac{3}{8}$ "
d	18"
e	20 $\frac{3}{8}$ "
f	34 $\frac{1}{2}$ "

### Side Panel Dimensions:

**VDC-MR3036**

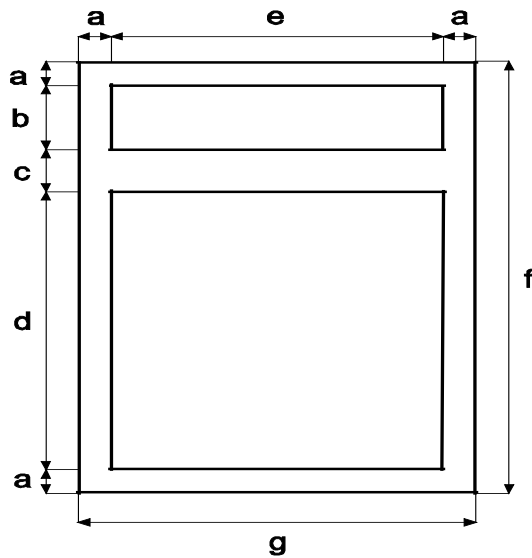


a	36"
b	30"
c	$\frac{3}{4}$ "

Glass Dimensions: 25  $\frac{1}{8}$ "W x 31  $\frac{1}{8}$ "H

- Mirror glass is beveled

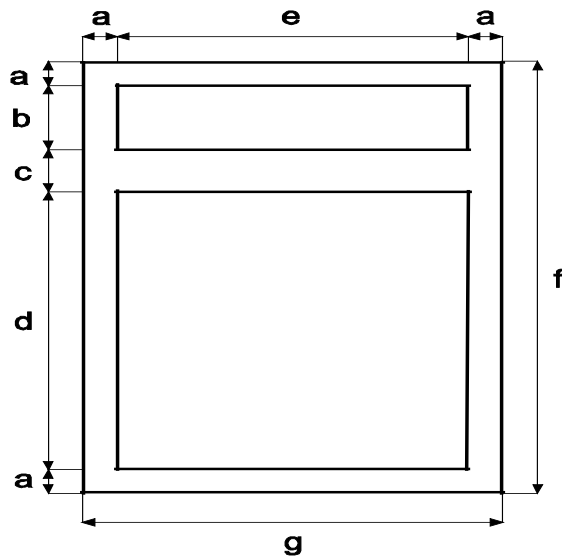
**VDC-V2421B**



a	1 1/2"
b	5 5/32"
c	1 1/2"
d	20 11/32"
e	21"
f	30"
g	24"

- 2 Door Vanity
- Door Opening: 21"W x 20 11/32"H
- Cabinet Inner Dimensions: 22 1/2"W x 19 3/4"D x 28 3/4"H
- Door Size: 11 11/16"W x 22 1/4"H
- False Drawer Head Size: 23 1/2"W x 6 1/2"H
- Cabinet Bottom Panel: 22 7/8"W x 20"D x 3/8"T
- Toe kick: 24"W x 4 1/2"H x 1/2"T

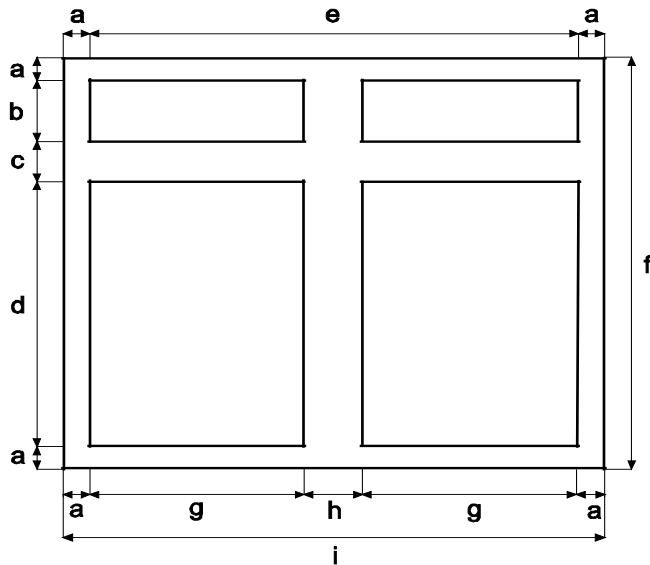
**VDC-V3021B**



a	1 1/2"
b	5 5/32"
c	1 1/2"
d	20 11/32"
e	27"
f	30"
g	30"

- 2 Door Vanity
- Door Opening: 27"W x 20 11/32"H
- Cabinet Inner Dimensions: 28 1/2"W x 19 3/4"D x 28 3/4"H
- Door Size: 14 11/16"W x 22 1/4"H
- False Drawer Head Size: 29 1/2"W x 6 1/2"H
- Cabinet Bottom Panel: 28 7/8"W x 20"D x 3/8"T
- Toe kick: 30"W x 4 1/2"H x 1/2"T

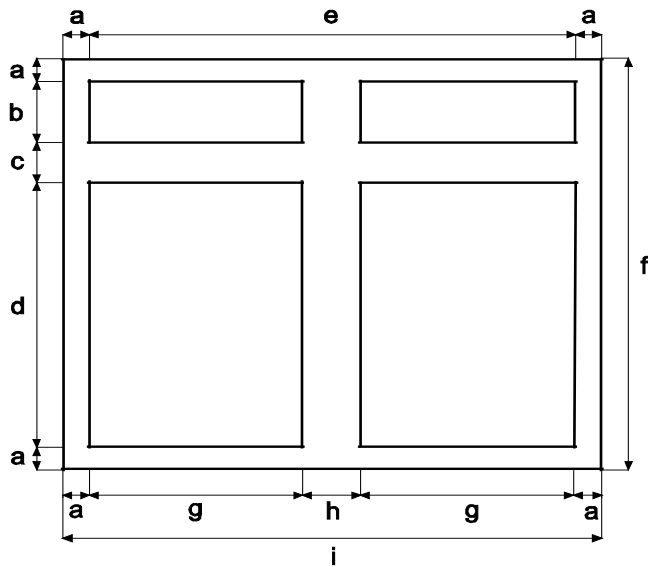
**VDC-V3621**



a	1 1/2"
b	5 5/32"
c	1 1/2"
d	20 11/32"
e	33"
f	30"
g	15"
h	3"
i	36"

- 2 Door Vanity
- Door Opening: 15"W x 20 11/32"H
- Cabinet Inner Dimensions: 34 1/2"W x 19 3/4"D x 28 3/4"H
- Door Size: 17 1/2"W x 22 1/4"H
- False Drawer Head Size: 17 1/2"W x 6 1/2"H
- Cabinet Bottom Panel: 34 7/8"W x 20"D x 3/8"T
- Toe kick: 36"W x 4 1/2"H x 1/2"T

**VDC-V4221**

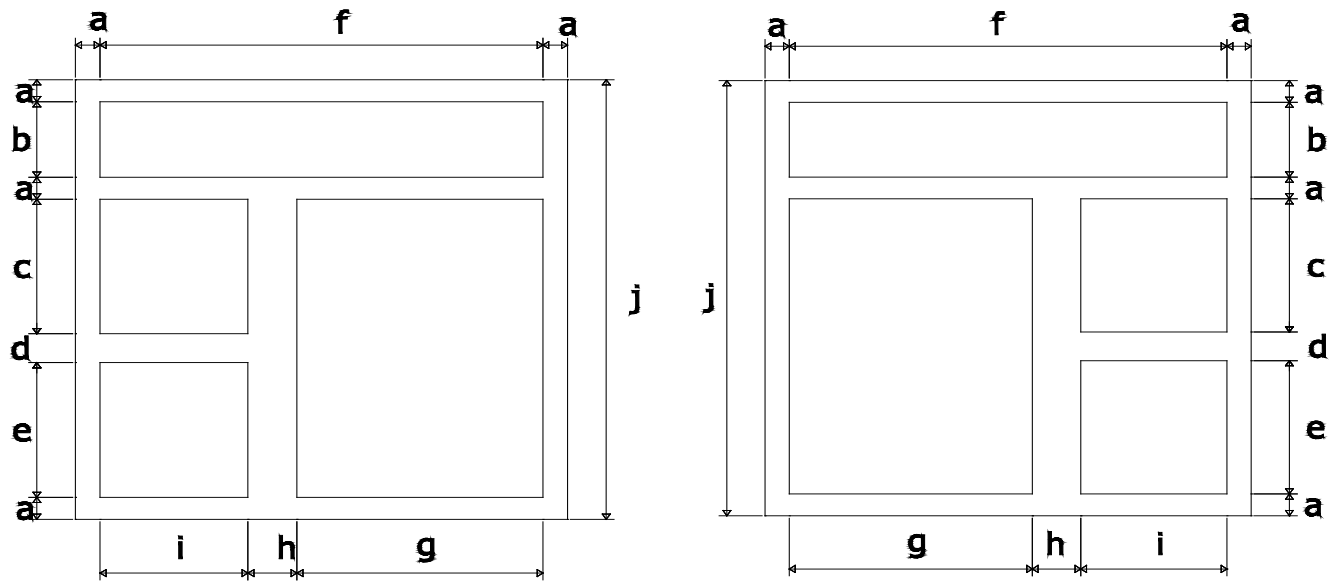


a	1 1/2"
b	5 5/32"
c	1 1/2"
d	20 11/32"
e	39"
f	30"
g	18"
h	3"
i	42"

- 2 Door Vanity
- Door Opening: 18"W x 20 11/32"H
- Cabinet Inner Dimensions: 40 1/2"W x 19 3/4"D x 28 3/4"H
- Door Size: 20 1/2"W x 22 1/4"H
- False Drawer Head Size: 20 1/2"W x 6 1/2"H
- Cabinet Bottom Panel: 40 7/8"W x 20"D x 3/8"T
- Toe kick: 42"W x 4 1/2"H x 1/2"T



**VDC-V3021D**



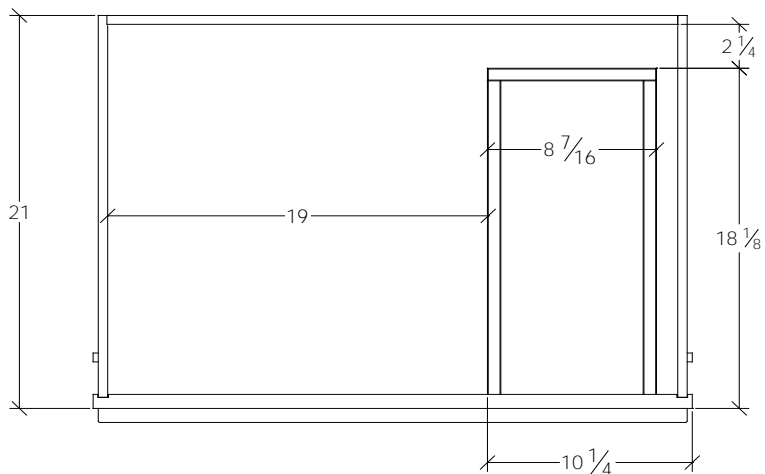
**VDC-V3021D-L**

**VDC-V3021D-R**

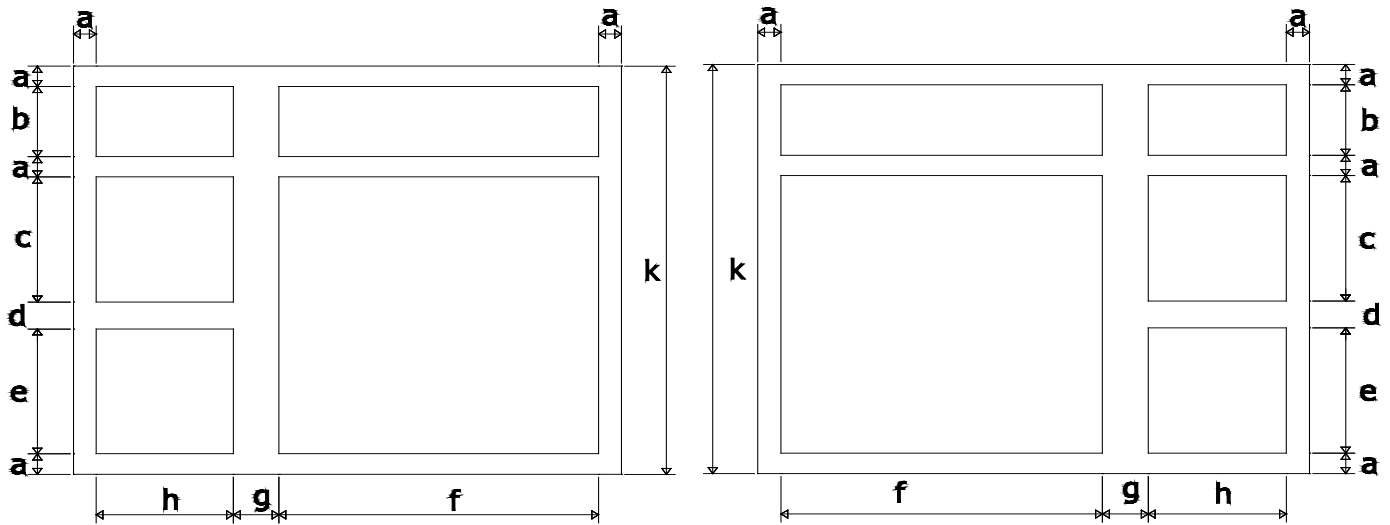
- 1 Door / 2 Drawer Vanity
- Door Opening: 15"W x 20 <sup>11</sup>/<sub>32</sub>"H
- Drawer Inner Dimensions: 7 <sup>1</sup>/<sub>8</sub>"W x 16 <sup>3</sup>/<sub>4</sub>"D x 7"H
- Drawer Outer Dimensions: 8 <sup>7</sup>/<sub>16</sub>"W x 18 <sup>1</sup>/<sub>8</sub>"D x 7 <sup>3</sup>/<sub>4</sub>"H
- Door Size: 17 <sup>1</sup>/<sub>2</sub>"W x 22 <sup>1</sup>/<sub>4</sub>"H
- Drawer Head Size: 11 <sup>1</sup>/<sub>2</sub>"W x 11"H
- False Drawer Head Size: 29 <sup>1</sup>/<sub>2</sub>"W x 6 <sup>1</sup>/<sub>2</sub>"H
- Cabinet Bottom Panel: 28 <sup>7</sup>/<sub>8</sub>"W x 20"D x <sup>3</sup>/<sub>8</sub>"T
- Toe kick: 30"W x 4 <sup>1</sup>/<sub>2</sub>"H x <sup>1</sup>/<sub>2</sub>"T

a	1 <sup>1</sup> / <sub>2</sub> "
b	5 <sup>5</sup> / <sub>32</sub> "
c	9 <sup>1</sup> / <sub>16</sub> "
d	2"
e	9 <sup>9</sup> / <sub>32</sub> "
f	27"
g	15"
h	3"
i	9"
j	30"

- Top drawer is a false, non-working drawer



## VDC-V3621D



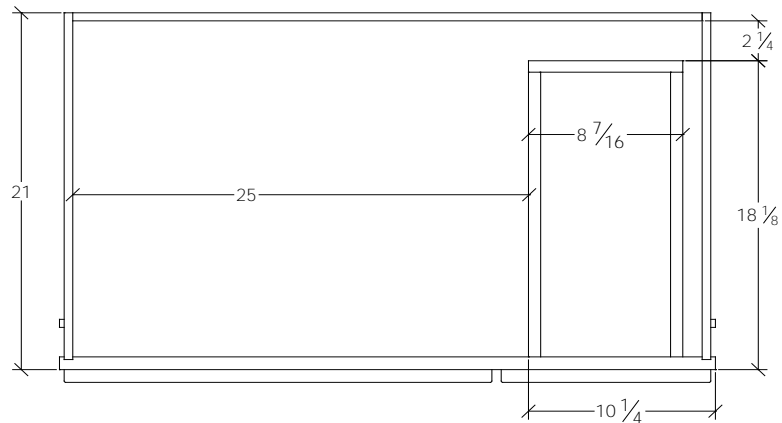
**VDC-V3621D-L**

**VDC-V3621D-R**

- 2 Door / 2 Drawer Vanity
- Door Opening: 21"W x 20 <sup>11</sup>/<sub>32</sub>"H
- Drawer Inner Dimensions: 7 <sup>1</sup>/<sub>8</sub>"W x 16 <sup>3</sup>/<sub>4</sub>"D x 7"H
- Drawer Outer Dimensions: 8 <sup>7</sup>/<sub>16</sub>"W x 18 <sup>1</sup>/<sub>8</sub>"D x 7 <sup>3</sup>/<sub>4</sub>"H
- Door Size: 11 <sup>11</sup>/<sub>16</sub>"W x 22 <sup>1</sup>/<sub>4</sub>"H
- Drawer Head Size: 11 <sup>1</sup>/<sub>2</sub>"W x 11"H
- Large False Drawer Head Size: 23 <sup>1</sup>/<sub>2</sub>"W x 6 <sup>1</sup>/<sub>2</sub>"H
- Small False Drawer Head Size: 11 <sup>1</sup>/<sub>2</sub>"W x 6 <sup>1</sup>/<sub>2</sub>"H
- Cabinet Bottom Panel: 34 <sup>7</sup>/<sub>8</sub>"W x 20"D x <sup>3</sup>/<sub>8</sub>"T
- Toe kick: 36"W x 4 <sup>1</sup>/<sub>2</sub>"H x <sup>1</sup>/<sub>2</sub>"T

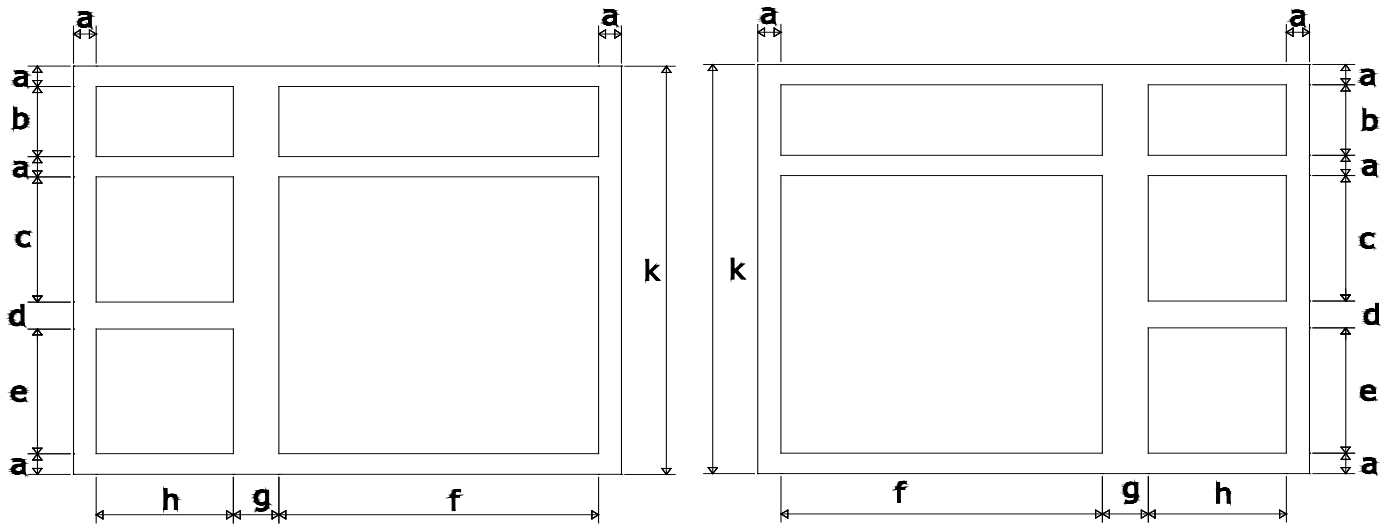
a	1 <sup>1</sup> / <sub>2</sub> "
b	5 <sup>5</sup> / <sub>32</sub> "
c	9 <sup>1</sup> / <sub>16</sub> "
d	2"
e	9 <sup>9</sup> / <sub>32</sub> "
f	21"
g	3"
h	9"
k	30"

- Top drawers are a false, non-working drawers



TOP VIEW

## VDC-V4221D



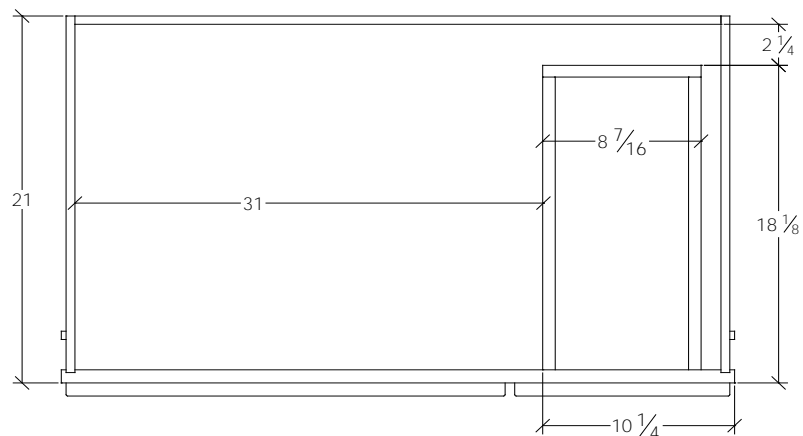
**VDC-V4221D-L**

**VDC-V4221D-R**

- 2 Door / 2 Drawer Vanity
- Door Opening: 21"W x 20 <sup>11</sup>/<sub>32</sub>"H
- Drawer Inner Dimensions: 7 <sup>1</sup>/<sub>8</sub>"W x 16 <sup>3</sup>/<sub>4</sub>"D x 7"H
- Drawer Outer Dimensions: 8 <sup>7</sup>/<sub>16</sub>"W x 18 <sup>1</sup>/<sub>8</sub>"D x 7 <sup>3</sup>/<sub>4</sub>"H
- Door Size: 11 <sup>11</sup>/<sub>16</sub>"W x 22 <sup>1</sup>/<sub>4</sub>"H
- Drawer Head Size: 11 <sup>1</sup>/<sub>2</sub>"W x 11"H
- Large False Drawer Head Size: 23 <sup>1</sup>/<sub>2</sub>"W x 6 <sup>1</sup>/<sub>2</sub>"H
- Small False Drawer Head Size: 11 <sup>1</sup>/<sub>2</sub>"W x 6 <sup>1</sup>/<sub>2</sub>"H
- Cabinet Bottom Panel: 34 <sup>7</sup>/<sub>8</sub>"W x 20"D x <sup>3</sup>/<sub>8</sub>"T
- Toe kick: 36"W x 4 <sup>1</sup>/<sub>2</sub>"H x <sup>1</sup>/<sub>2</sub>"T

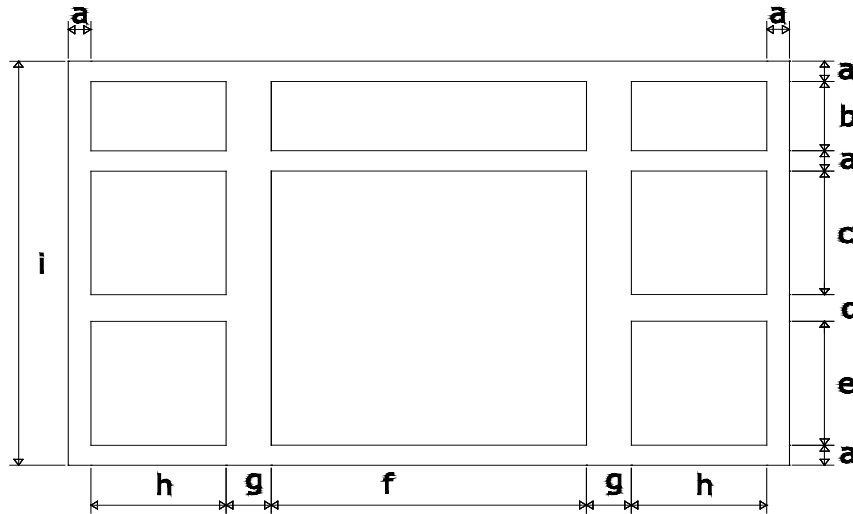
a	1 <sup>1</sup> / <sub>2</sub> "
b	5 <sup>5</sup> / <sub>32</sub> "
c	9 <sup>1</sup> / <sub>16</sub> "
d	2"
e	9 <sup>9</sup> / <sub>32</sub> "
f	27"
g	3"
h	9"
k	30"

- Top drawers are a false, non-working drawers



TOP VIEW

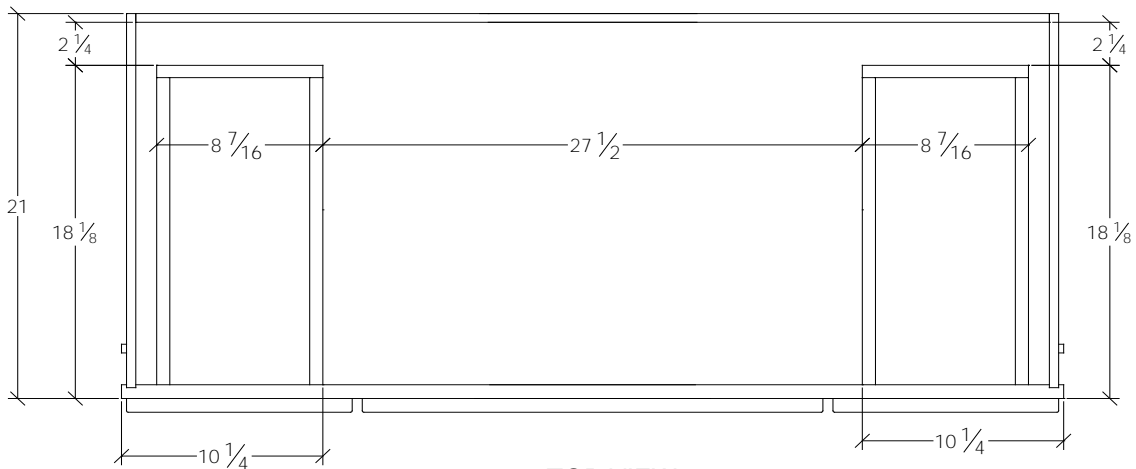
## VDC-V4821D



- 2 Door / 4 Drawer Vanity
- Door Opening: 21"W x 20 <sup>11</sup>/<sub>32</sub>"H
- Drawer Inner Dimensions: 7 <sup>1</sup>/<sub>8</sub>"W x 16 <sup>3</sup>/<sub>4</sub>"D x 7"H
- Drawer Outer Dimensions: 8 <sup>7</sup>/<sub>16</sub>"W x 18 <sup>1</sup>/<sub>8</sub>"D x 7 <sup>3</sup>/<sub>4</sub>"H
- Door Size: 11 <sup>11</sup>/<sub>16</sub>"W x 22 <sup>1</sup>/<sub>4</sub>"H
- Drawer Head Size: 11 <sup>1</sup>/<sub>2</sub>"W x 11"H
- Large False Drawer Head Size: 23 <sup>1</sup>/<sub>2</sub>"W x 6 <sup>1</sup>/<sub>2</sub>"H
- Small False Drawer Head Size: 11 <sup>1</sup>/<sub>2</sub>"W x 6 <sup>1</sup>/<sub>2</sub>"H
- Cabinet Bottom Panel: 46 <sup>7</sup>/<sub>8</sub>"W x 20"D x <sup>3</sup>/<sub>8</sub>"T
- Toe kick: 48"W x 4 <sup>1</sup>/<sub>2</sub>"H x <sup>1</sup>/<sub>2</sub>"T

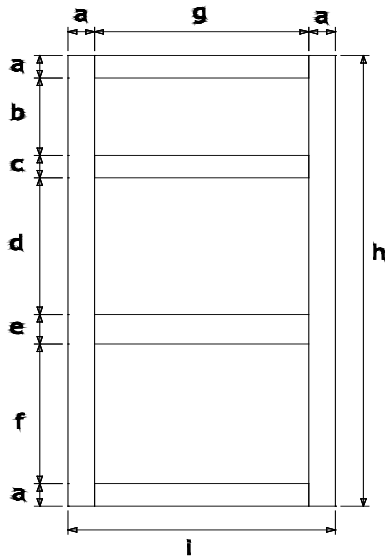
a	1 <sup>1</sup> / <sub>2</sub> "
b	5 <sup>5</sup> / <sub>32</sub> "
c	9 <sup>1</sup> / <sub>16</sub> "
d	2"
e	9 <sup>9</sup> / <sub>32</sub> "
f	21"
g	3"
h	9"
i	30"

- Top drawers are a false, non-working drawers



TOP VIEW

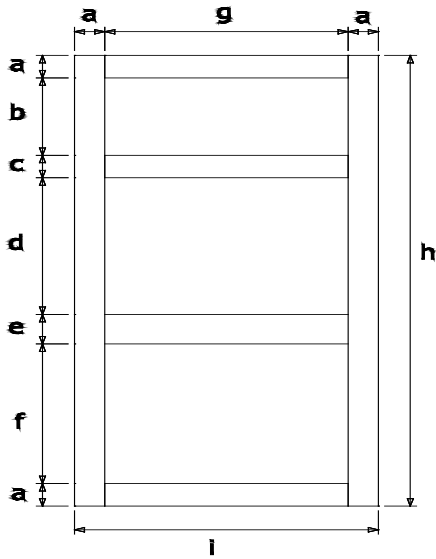
**VDC-VDB1221**



a	1 1/2"
b	5 5/32"
c	1 1/2"
d	9 1/16"
e	2"
f	9 9/32"
g	9"
h	30"
i	12"

- 3 Drawer Base
- Top Drawer Head Size 11 1/2"W x 6 1/2"H
- Bottom Drawer Head Size 11 1/2"W x 11"H
- Top Drawer Inner Dim. 7 1/8"W x 16 3/4"D x 3 1/4"H
- Bottom Drawer Inner Dim. 7 1/8"W x 16 3/4"D x 7"H
- Top Drawer Outer Dim. 8 7/16"W x 18 1/8"D x 4"H
- Bottom Drawer Outer Dim. 8 7/16"W x 18 1/8"D x 7 3/4"H

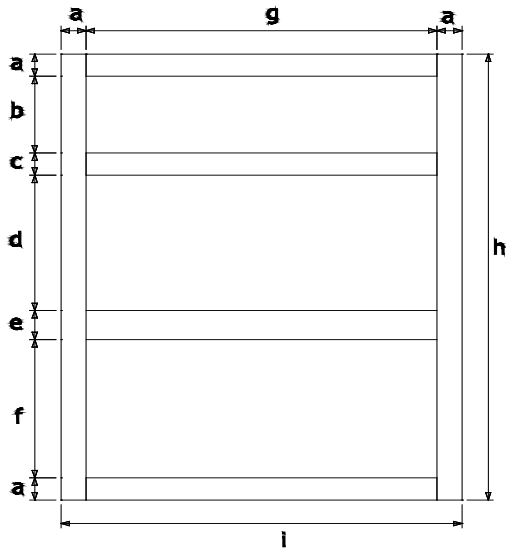
**VDC-VDB1521**



a	1 1/2"
b	5 5/32"
c	1 1/2"
d	9 1/16"
e	2"
f	9 9/32"
g	12"
h	30"
i	15"

- 3 Drawer Base
- Top Drawer Head Size 14 1/2"W x 6 1/2"H
- Bottom Drawer Head Size 14 1/2"W x 11"H
- Top Drawer Inner Dim. 10 1/8"W x 16 3/4"D x 3 1/4"H
- Bottom Drawer Inner Dim. 10 1/8"W x 16 3/4"D x 7"H
- Top Drawer Outer Dim. 11 7/16"W x 18 1/8"D x 4"H
- Bottom Drawer Outer Dim. 11 7/16"W x 18 1/8"D x 7 3/4"H

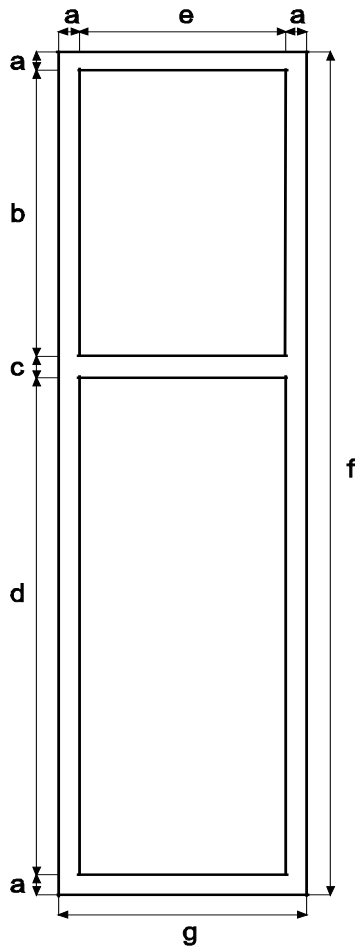
## VDC-VDB1821



a	1 1/2"
b	5 5/32"
c	1 1/2"
d	9 1/16"
e	2"
f	9 9/32"
g	15"
h	30"
i	18"

- 3 Drawer Base
- Top Drawer Head Size                    17 1/2"W x 6 1/2"H
- Bottom Drawer Head Size                17 1/2"W x 11"H
- Top Drawer Inner Dim.                    13 1/8"W x 16 3/4"D x 3 1/4"H
- Bottom Drawer Inner Dim.                13 1/8"W x 16 3/4"D x 7"H
- Top Drawer Outer Dim.                    14 7/16"W x 18 1/8"D x 4"H
- Bottom Drawer Outer Dim.                14 7/16"W x 18 1/8"D x 7 3/4"H

**VDC-VLC1884**



a	1 1/2"
b	27 3/4"
c	1 1/2"
d	47 1/4"
e	15"
f	79 1/2"
g	18"

- 2 Door Linen Closet
- Upper Inner Dimensions: 16 1/2"W x 28 1/8"H x 19 3/4"D
- Bottom Inner Dimensions: 16 1/2"W x 48 1/4"H x 19 3/4"D
- Upper Door Size: 17 1/2"W x 28 3/4"H
- Bottom Door Size: 17 1/2"W x 49 1/4"H
- Shelf Size:\* 16 5/16"W x 19 1/2"D

\* VLC1884 has 3 adjustable selves, 1 behind top door and 2 behind bottom door

- Doors are reversible
- Matching toe kick



## Dover Lunar (VDL)

### General Specifications:

- Material: Frame and door are solid maple, cabinet box is plywood
- Finish: Gray Stain
- Interior: Natural maple finish
- Door design: Full overlay
- Door panel:  $\frac{3}{16}$ " MDF recessed panel
- Drawer head design: Slab
- Hardware: Not included

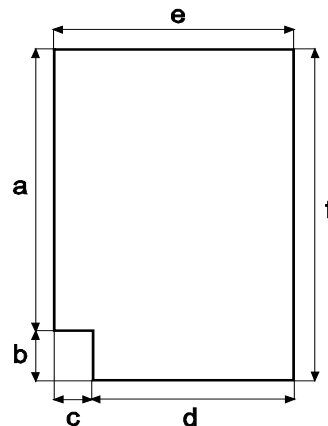
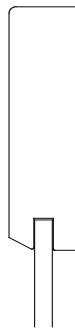
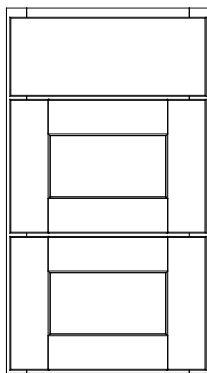
### Cabinet Specifications:

- Cabinet height: 34  $\frac{1}{2}$ "
- Vanity depth: 21"
- Face frame:  $\frac{3}{4}$ " x 1  $\frac{1}{2}$ " Mortise & Tenon
- Side panels:  $\frac{1}{2}$ " plywood with wood veneer on both sides
- Back panel:  $\frac{1}{2}$ " plywood, open back for easy plumbing installation
- Bottom panel:  $\frac{3}{8}$ " plywood with wood veneer on one side
- Toe kick:  $\frac{1}{2}$ " x 4  $\frac{1}{2}$ " plywood finished to match
- Center style: There is no center style on double door units
- Hinge: Soft closing, concealed cup hinge with a 110 degree opening and 3-dimensional adjustment (side, depth and height adjustment)

### Drawer Construction:

- Drawer design: Dovetail drawer
- Drawer sides:  $\frac{3}{4}$ " solid wood
- Drawer bottom:  $\frac{3}{8}$ " plywood with wood veneer
- Drawer glides: Under mount, full extension, soft closing glides
- Availability: Drawers are available on the left and right
- Upgrade: BLUM glides available

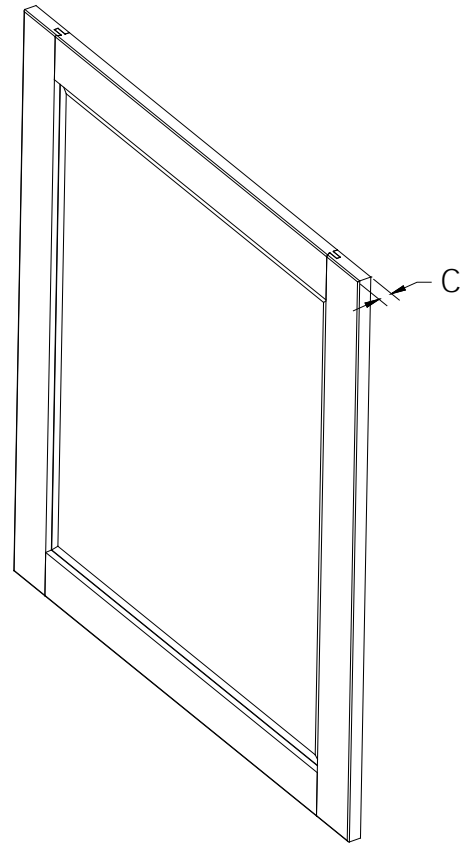
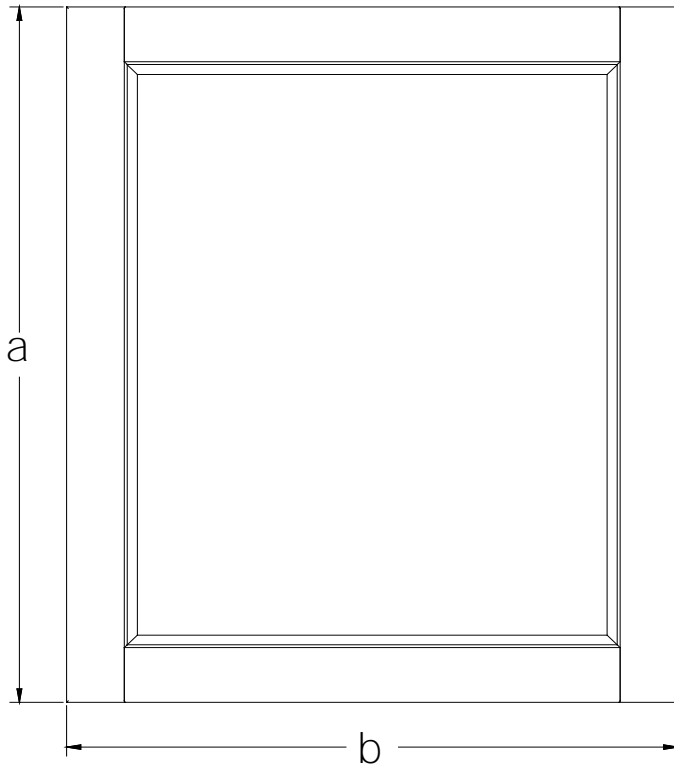
### Door Style:



### Side Panel Dimensions:

a	30"
b	4 $\frac{1}{2}$ "
c	2 $\frac{3}{8}$ "
d	18"
e	20 $\frac{3}{8}$ "
f	34 $\frac{1}{2}$ "

**VDL-MR3036**

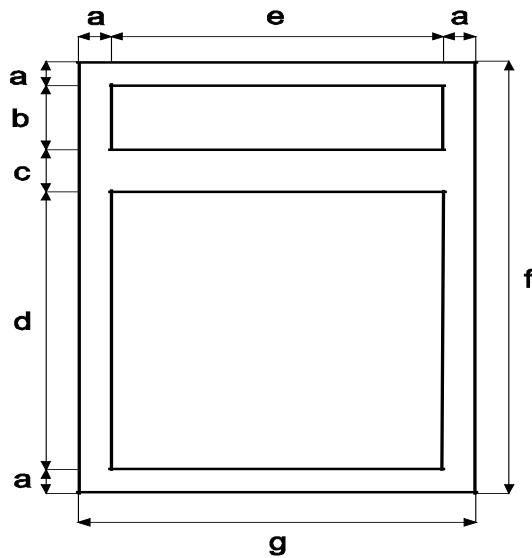


a	36"
b	30"
c	$\frac{3}{4}$ "

Glass Dimensions: 25  $\frac{1}{8}$ "W x 31  $\frac{1}{8}$ "H

- Mirror glass is beveled

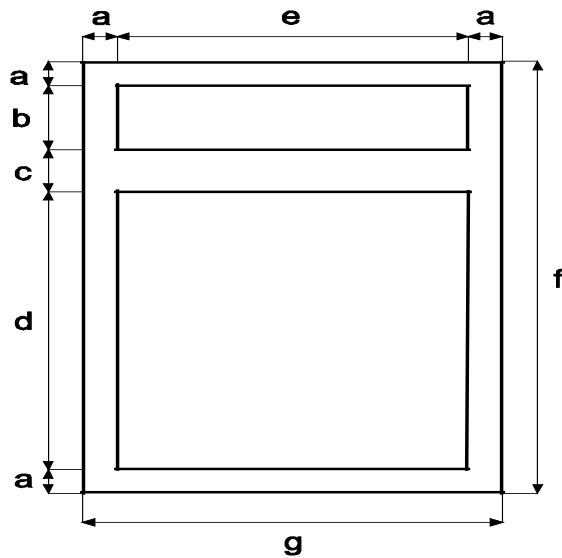
**VDL-V2421B**



a	1 1/2"
b	5 5/32"
c	1 1/2"
d	20 11/32"
e	21"
f	30"
g	24"

- 2 Door Vanity
- Door Opening: 21"W x 20 11/32"H
- Cabinet Inner Dimensions: 22 1/2"W x 19 3/4"D x 28 3/4"H
- Door Size: 11 11/16"W x 22 1/4"H
- False Drawer Head Size: 23 1/2"W x 6 1/2"H
- Cabinet Bottom Panel: 22 7/8"W x 20"D x 3/8"T
- Toe kick: 24"W x 4 1/2"H x 1/2"T

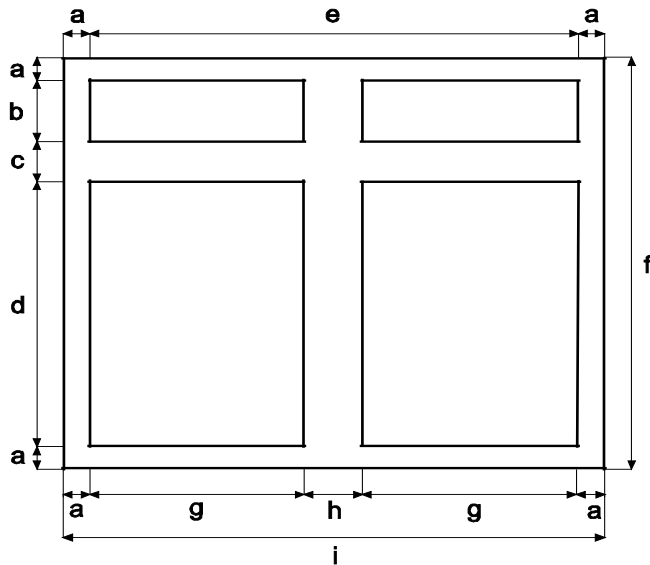
**VDL-V3021B**



a	1 1/2"
b	5 5/32"
c	1 1/2"
d	20 11/32"
e	27"
f	30"
g	30"

- 2 Door Vanity
- Door Opening: 27"W x 20 11/32"H
- Cabinet Inner Dimensions: 28 1/2"W x 19 3/4"D x 28 3/4"H
- Door Size: 14 11/16"W x 22 1/4"H
- False Drawer Head Size: 29 1/2"W x 6 1/2"H
- Cabinet Bottom Panel: 28 7/8"W x 20"D x 3/8"T
- Toe kick: 30"W x 4 1/2"H x 1/2"T

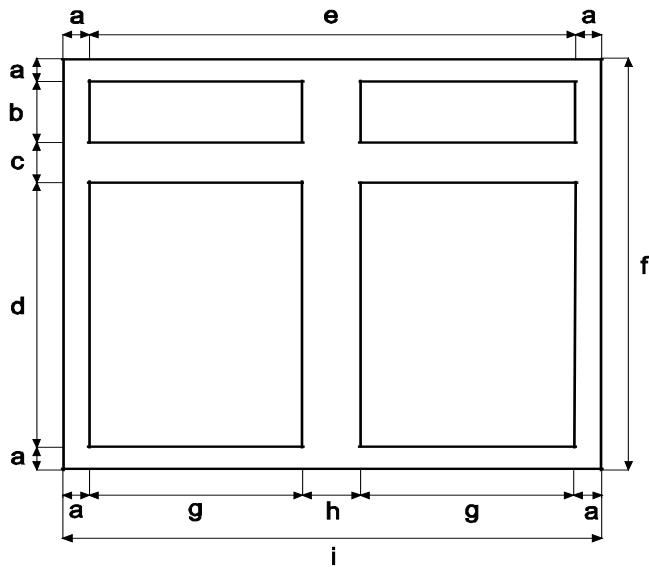
**VDL-V3621**



a	1 1/2"
b	5 5/32"
c	1 1/2"
d	20 11/32"
e	33"
f	30"
g	15"
h	3"
i	36"

- 2 Door Vanity
- Door Opening: 15"W x 20 11/32"H
- Cabinet Inner Dimensions: 34 1/2"W x 19 3/4"D x 28 3/4"H
- Door Size: 17 1/2"W x 22 1/4"H
- False Drawer Head Size: 17 1/2"W x 6 1/2"H
- Cabinet Bottom Panel: 34 7/8"W x 20"D x 3/8"T
- Toe kick: 36"W x 4 1/2"H x 1/2"T

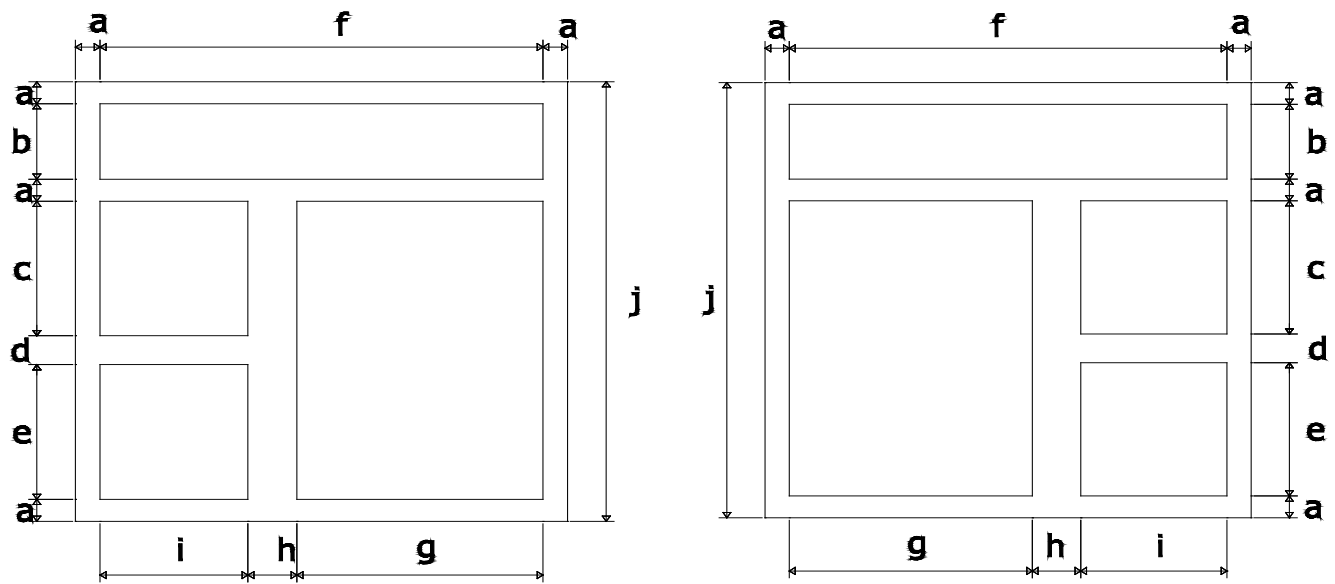
**VDL-V4221**



a	1 1/2"
b	5 5/32"
c	1 1/2"
d	20 11/32"
e	39"
f	30"
g	18"
h	3"
i	42"

- 2 Door Vanity
- Door Opening: 18"W x 20 11/32"H
- Cabinet Inner Dimensions: 40 1/2"W x 19 3/4"D x 28 3/4"H
- Door Size: 20 1/2"W x 22 1/4"H
- False Drawer Head Size: 20 1/2"W x 6 1/2"H
- Cabinet Bottom Panel: 40 7/8"W x 20"D x 3/8"T
- Toe kick: 42"W x 4 1/2"H x 1/2"T

### VDL-V3021D



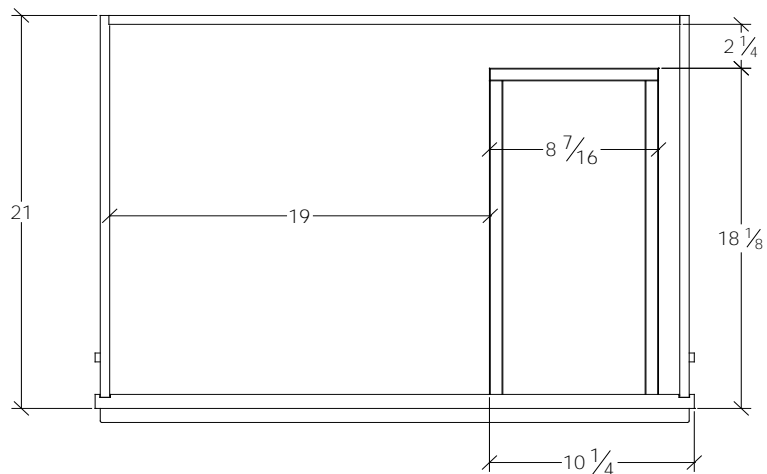
#### VDL-V3021D-L

#### VDL-V3021D-R

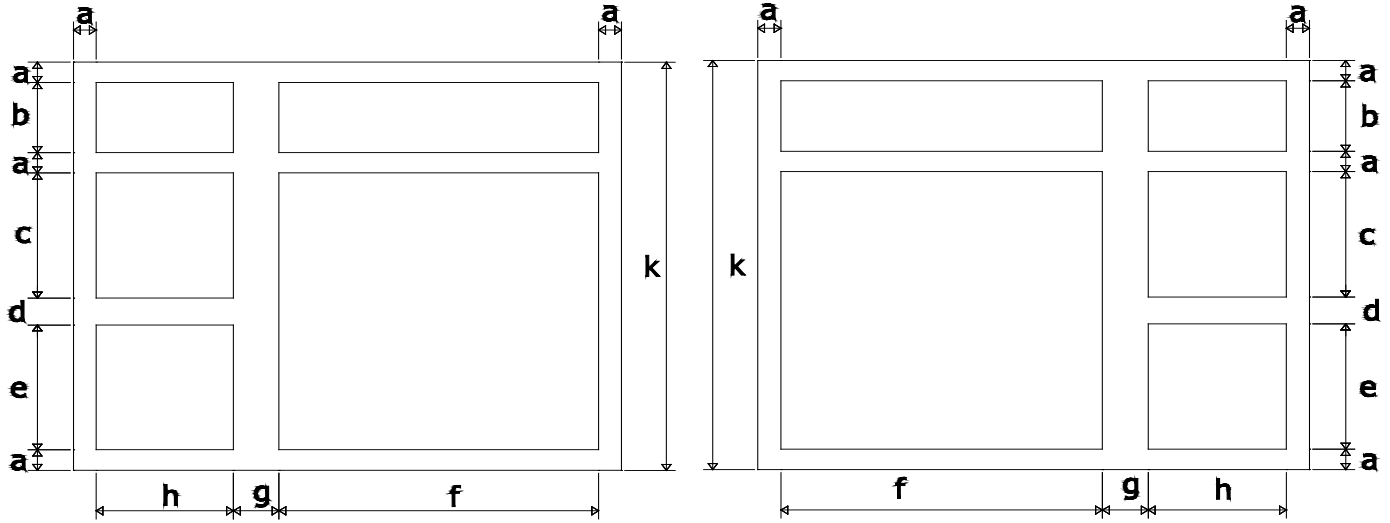
- 1 Door / 2 Drawer Vanity
- Door Opening: 15"W x 20 <sup>11</sup>/<sub>32</sub>"H
- Drawer Inner Dimensions: 7 <sup>1</sup>/<sub>8</sub>"W x 16 <sup>3</sup>/<sub>4</sub>"D x 7"H
- Drawer Outer Dimensions: 8 <sup>7</sup>/<sub>16</sub>"W x 18 <sup>1</sup>/<sub>8</sub>"D x 7 <sup>3</sup>/<sub>4</sub>"H
- Door Size: 17 <sup>1</sup>/<sub>2</sub>"W x 22 <sup>1</sup>/<sub>4</sub>"H
- Drawer Head Size: 11 <sup>1</sup>/<sub>2</sub>"W x 11"H
- False Drawer Head Size: 29 <sup>1</sup>/<sub>2</sub>"W x 6 <sup>1</sup>/<sub>2</sub>"H
- Cabinet Bottom Panel: 28 <sup>7</sup>/<sub>8</sub>"W x 20"D x <sup>3</sup>/<sub>8</sub>"T
- Toe kick: 30"W x 4 <sup>1</sup>/<sub>2</sub>"H x <sup>1</sup>/<sub>2</sub>"T

a	1 <sup>1</sup> / <sub>2</sub> "
b	5 <sup>5</sup> / <sub>32</sub> "
c	9 <sup>1</sup> / <sub>16</sub> "
d	2"
e	9 <sup>9</sup> / <sub>32</sub> "
f	27"
g	15"
h	3"
i	9"
j	30"

- Top drawer is a false, non-working drawer



**VDL-V3621D**



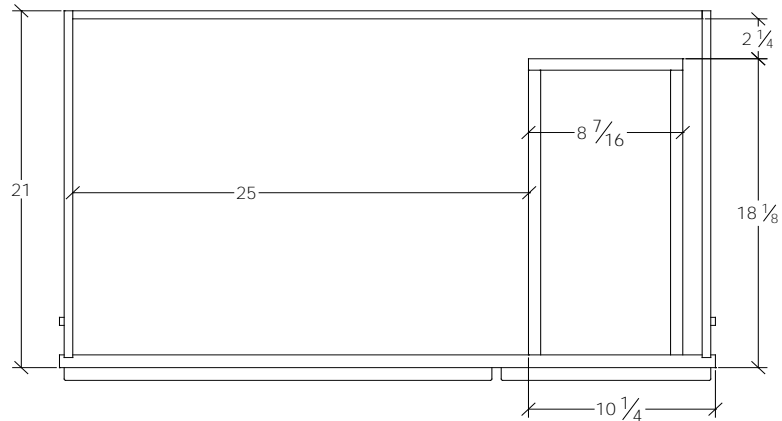
**VDL-V3621D-L**

**VDL-V3621D-R**

- 2 Door / 2 Drawer Vanity
- Door Opening: 21"W x 20 <sup>11</sup>/<sub>32</sub>"H
- Drawer Inner Dimensions: 7 <sup>1</sup>/<sub>8</sub>"W x 16 <sup>3</sup>/<sub>4</sub>"D x 7"H
- Drawer Outer Dimensions: 8 <sup>7</sup>/<sub>16</sub>"W x 18 <sup>1</sup>/<sub>8</sub>"D x 7 <sup>3</sup>/<sub>4</sub>"H
- Door Size: 11 <sup>11</sup>/<sub>16</sub>"W x 22 <sup>1</sup>/<sub>4</sub>"H
- Drawer Head Size: 11 <sup>1</sup>/<sub>2</sub>"W x 11"H
- Large False Drawer Head Size: 23 <sup>1</sup>/<sub>2</sub>"W x 6 <sup>1</sup>/<sub>2</sub>"H
- Small False Drawer Head Size: 11 <sup>1</sup>/<sub>2</sub>"W x 6 <sup>1</sup>/<sub>2</sub>"H
- Cabinet Bottom Panel: 34 <sup>7</sup>/<sub>8</sub>"W x 20"D x <sup>3</sup>/<sub>8</sub>"T
- Toe kick: 36"W x 4 <sup>1</sup>/<sub>2</sub>"H x <sup>1</sup>/<sub>2</sub>"T

a	1 <sup>1</sup> / <sub>2</sub> "
b	5 <sup>5</sup> / <sub>32</sub> "
c	9 <sup>1</sup> / <sub>16</sub> "
d	2"
e	9 <sup>9</sup> / <sub>32</sub> "
f	21"
g	3"
h	9"
k	30"

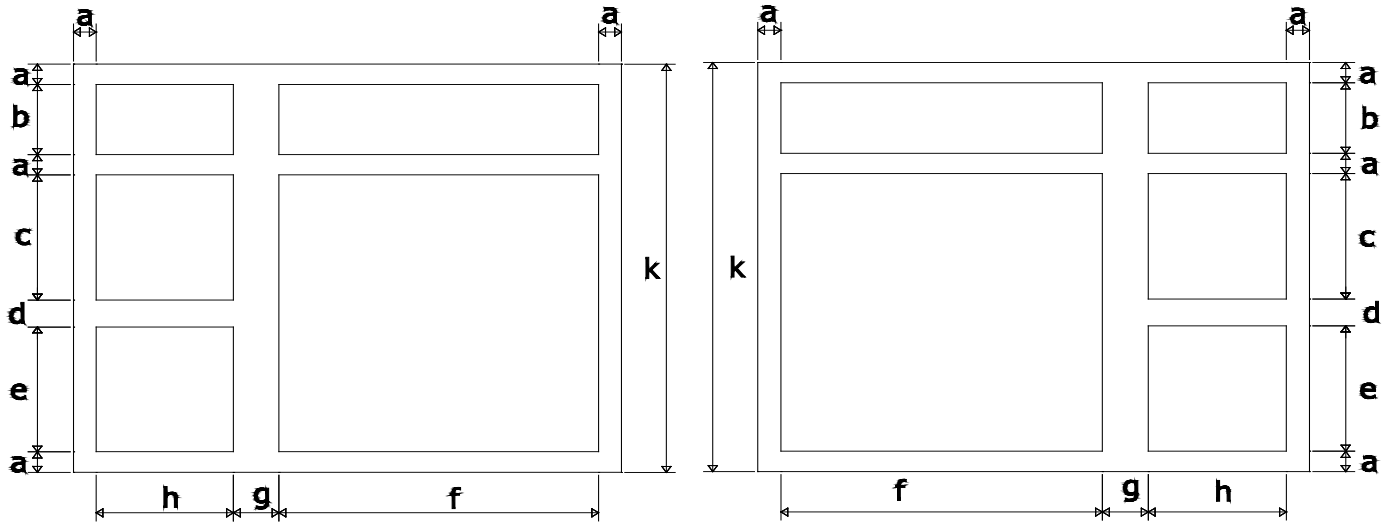
- Top drawers are a false, non-working drawers



**TOP VIEW**



## VDL-V4221D



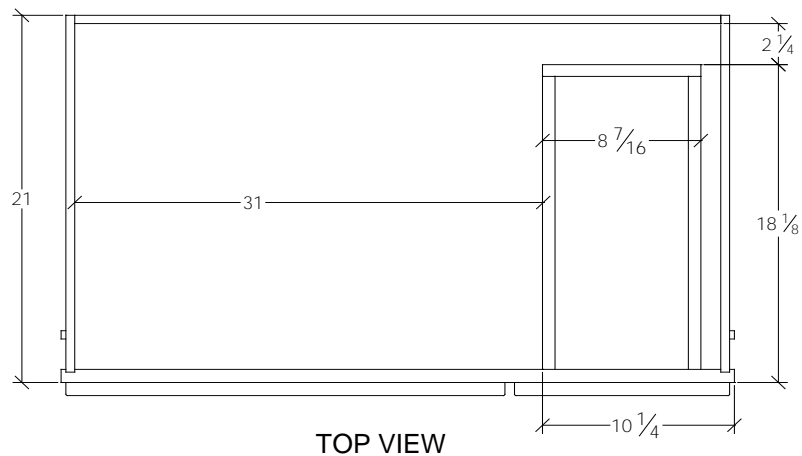
**VDL-V4221D-L**

**VDL-V4221D-R**

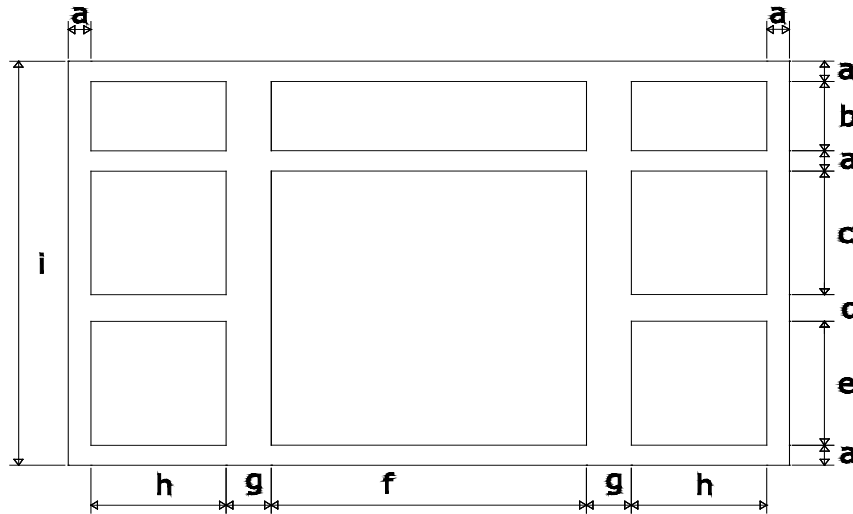
- 2 Door / 2 Drawer Vanity
- Door Opening: 21"W x 20 <sup>11</sup>/<sub>32</sub>"H
- Drawer Inner Dimensions: 7 <sup>1</sup>/<sub>8</sub>"W x 16 <sup>3</sup>/<sub>4</sub>"D x 7"H
- Drawer Outer Dimensions: 8 <sup>7</sup>/<sub>16</sub>"W x 18 <sup>1</sup>/<sub>8</sub>"D x 7 <sup>3</sup>/<sub>4</sub>"H
- Door Size: 11 <sup>11</sup>/<sub>16</sub>"W x 22 <sup>1</sup>/<sub>4</sub>"H
- Drawer Head Size: 11 <sup>1</sup>/<sub>2</sub>"W x 11"H
- Large False Drawer Head Size: 23 <sup>1</sup>/<sub>2</sub>"W x 6 <sup>1</sup>/<sub>2</sub>"H
- Small False Drawer Head Size: 11 <sup>1</sup>/<sub>2</sub>"W x 6 <sup>1</sup>/<sub>2</sub>"H
- Cabinet Bottom Panel: 34 <sup>7</sup>/<sub>8</sub>"W x 20"D x <sup>3</sup>/<sub>8</sub>"T
- Toe kick: 36"W x 4 <sup>1</sup>/<sub>2</sub>"H x <sup>1</sup>/<sub>2</sub>"T

a	1 <sup>1</sup> / <sub>2</sub> "
b	5 <sup>5</sup> / <sub>32</sub> "
c	9 <sup>1</sup> / <sub>16</sub> "
d	2"
e	9 <sup>9</sup> / <sub>32</sub> "
f	27"
g	3"
h	9"
k	30"

- Top drawers are a false, non-working drawers



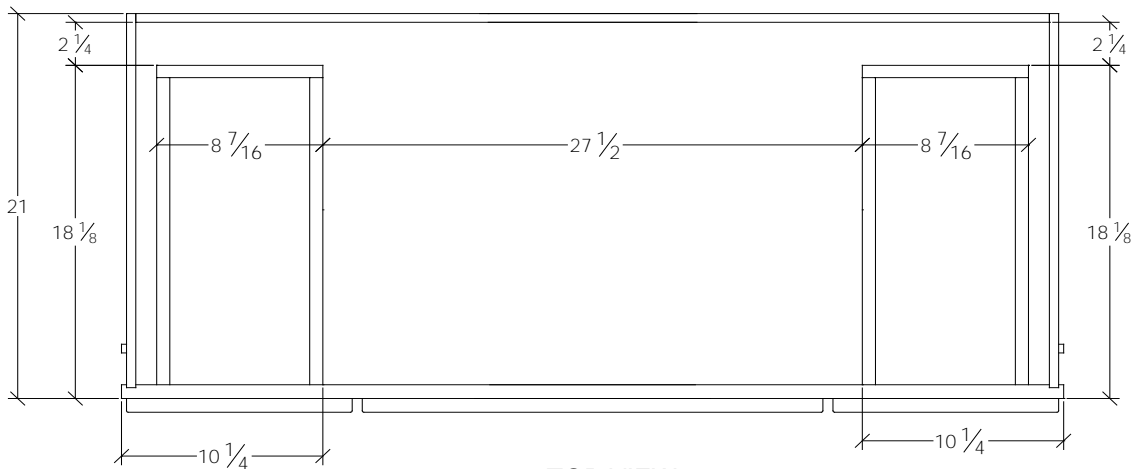
## VDL-V4821D



- 2 Door / 4 Drawer Vanity
- Door Opening: 21"W x 20 <sup>11</sup>/<sub>32</sub>"H
- Drawer Inner Dimensions: 7 <sup>1</sup>/<sub>8</sub>"W x 16 <sup>3</sup>/<sub>4</sub>"D x 7"H
- Drawer Outer Dimensions: 8 <sup>7</sup>/<sub>16</sub>"W x 18 <sup>1</sup>/<sub>8</sub>"D x 7 <sup>3</sup>/<sub>4</sub>"H
- Door Size: 11 <sup>11</sup>/<sub>16</sub>"W x 22 <sup>1</sup>/<sub>4</sub>"H
- Drawer Head Size: 11 <sup>1</sup>/<sub>2</sub>"W x 11"H
- Large False Drawer Head Size: 23 <sup>1</sup>/<sub>2</sub>"W x 6 <sup>1</sup>/<sub>2</sub>"H
- Small False Drawer Head Size: 11 <sup>1</sup>/<sub>2</sub>"W x 6 <sup>1</sup>/<sub>2</sub>"H
- Cabinet Bottom Panel: 46 <sup>7</sup>/<sub>8</sub>"W x 20"D x <sup>3</sup>/<sub>8</sub>"T
- Toe kick: 48"W x 4 <sup>1</sup>/<sub>2</sub>"H x <sup>1</sup>/<sub>2</sub>"T

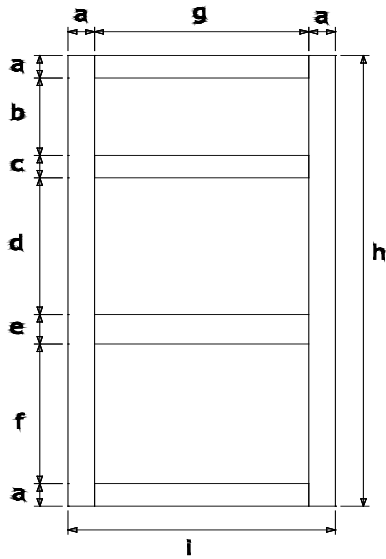
a	1 <sup>1</sup> / <sub>2</sub> "
b	5 <sup>5</sup> / <sub>32</sub> "
c	9 <sup>1</sup> / <sub>16</sub> "
d	2"
e	9 <sup>9</sup> / <sub>32</sub> "
f	21"
g	3"
h	9"
i	30"

- Top drawers are a false, non-working drawers



TOP VIEW

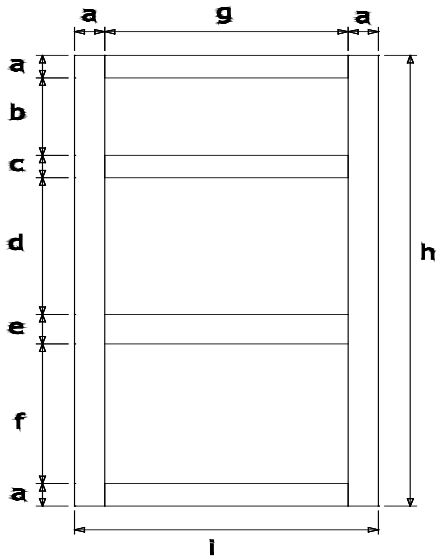
**VDL-VDB1221**



a	1 1/2"
b	5 5/32"
c	1 1/2"
d	9 1/16"
e	2"
f	9 9/32"
g	9"
h	30"
i	12"

- 3 Drawer Base
- Top Drawer Head Size 11 1/2"W x 6 1/2"H
- Bottom Drawer Head Size 11 1/2"W x 11"H
- Top Drawer Inner Dim. 7 1/8"W x 16 3/4"D x 3 1/4"H
- Bottom Drawer Inner Dim. 7 1/8"W x 16 3/4"D x 7"H
- Top Drawer Outer Dim. 8 7/16"W x 18 1/8"D x 4"H
- Bottom Drawer Outer Dim. 8 7/16"W x 18 1/8"D x 7 3/4"H

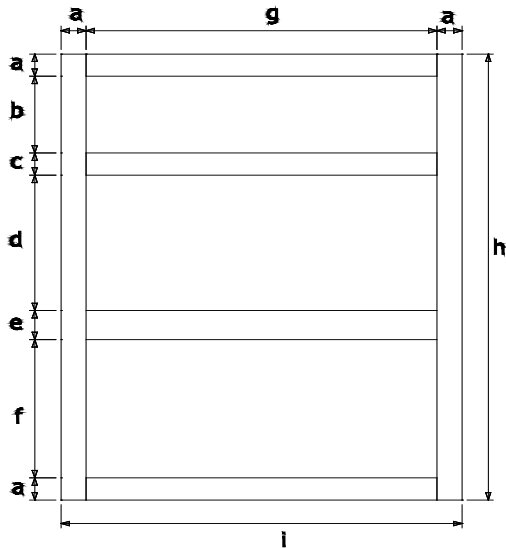
**VDL-VDB1521**



a	1 1/2"
b	5 5/32"
c	1 1/2"
d	9 1/16"
e	2"
f	9 9/32"
g	12"
h	30"
i	15"

- 3 Drawer Base
- Top Drawer Head Size 14 1/2"W x 6 1/2"H
- Bottom Drawer Head Size 14 1/2"W x 11"H
- Top Drawer Inner Dim. 10 1/8"W x 16 3/4"D x 3 1/4"H
- Bottom Drawer Inner Dim. 10 1/8"W x 16 3/4"D x 7"H
- Top Drawer Outer Dim. 11 7/16"W x 18 1/8"D x 4"H
- Bottom Drawer Outer Dim. 11 7/16"W x 18 1/8"D x 7 3/4"H

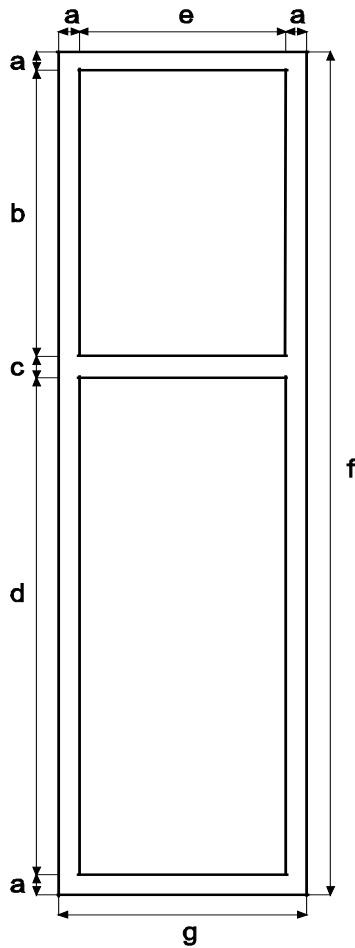
**VDL-VDB1821**



a	1 1/2"
b	5 5/32"
c	1 1/2"
d	9 1/16"
e	2"
f	9 9/32"
g	15"
h	30"
i	18"

- 3 Drawer Base
- Top Drawer Head Size 17 1/2"W x 6 1/2"H
- Bottom Drawer Head Size 17 1/2"W x 11"H
- Top Drawer Inner Dim. 13 1/8"W x 16 3/4"D x 3 1/4"H
- Bottom Drawer Inner Dim. 13 1/8"W x 16 3/4"D x 7"H
- Top Drawer Outer Dim. 14 7/16"W x 18 1/8"D x 4"H
- Bottom Drawer Outer Dim. 14 7/16"W x 18 1/8"D x 7 3/4"H

**VDL-VLC1884**



a	1 1/2"
b	27 3/4"
c	1 1/2"
d	47 1/4"
e	15"
f	79 1/2"
g	18"

- 2 Door Linen Closet
- Upper Inner Dimensions: 16 1/2"W x 28 1/8"H x 19 3/4"D
- Bottom Inner Dimensions: 16 1/2"W x 48 1/4"H x 19 3/4"D
- Upper Door Size: 17 1/2"W x 28 3/4"H
- Bottom Door Size: 17 1/2"W x 49 1/4"H
- Shelf Size:\* 16 5/16"W x 19 1/2"D

\* VLC1884 has 3 adjustable selves, 1 behind top door and 2 behind bottom door

- Doors are reversible
- Matching toe kick

## Norwich Slab (VNS)

### General Specifications:

- Material: Frame and door are solid maple, cabinet box is plywood
- Finish: Light Gray Paint
- Interior: Natural maple finish
- Door design: Full overlay
- Door panel:  $\frac{3}{16}$ " MDF recessed panel
- Drawer head design: Slab
- Hardware: Not included

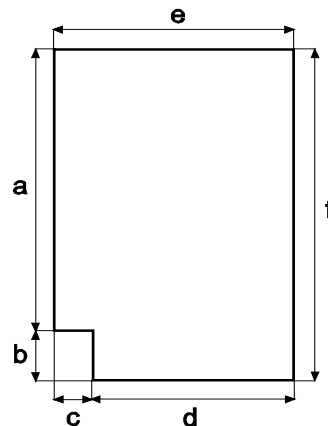
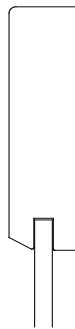
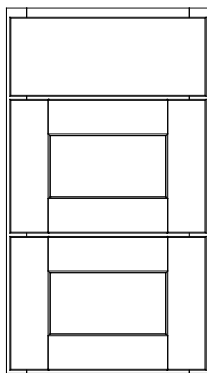
### Cabinet Specifications:

- Cabinet height: 34  $\frac{1}{2}$ "
- Vanity depth: 21"
- Face frame:  $\frac{3}{4}$ " x 1  $\frac{1}{2}$ " Mortise & Tenon
- Side panels:  $\frac{1}{2}$ " plywood with wood veneer on both sides
- Back panel:  $\frac{1}{2}$ " plywood, open back for easy plumbing installation
- Bottom panel:  $\frac{3}{8}$ " plywood with wood veneer on one side
- Toe kick:  $\frac{1}{2}$ " x 4  $\frac{1}{2}$ " plywood finished to match
- Center style: There is no center style on double door units
- Hinge: Soft closing, concealed cup hinge with a 110 degree opening and 3-dimensional adjustment (side, depth and height adjustment)

### Drawer Construction:

- Drawer design: Dovetail drawer
- Drawer sides:  $\frac{3}{4}$ " solid wood
- Drawer bottom:  $\frac{3}{8}$ " plywood with wood veneer
- Drawer glides: Under mount, full extension, soft closing glides
- Availability: Drawers are available on the left and right
- Upgrade: BLUM glides available

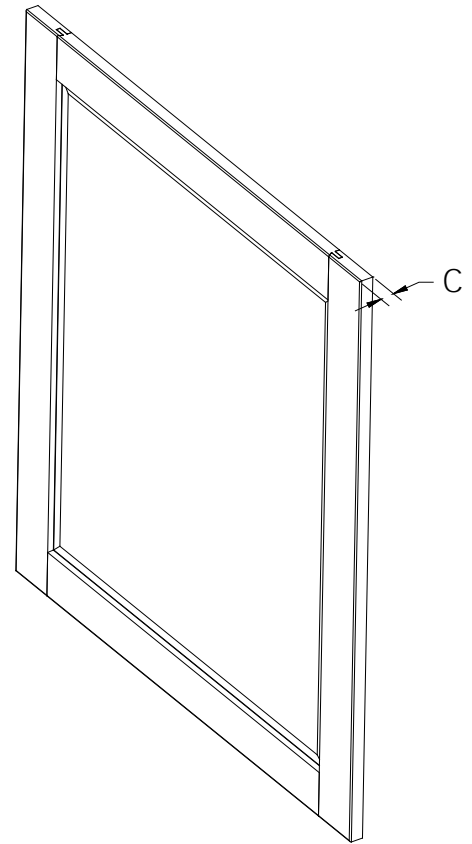
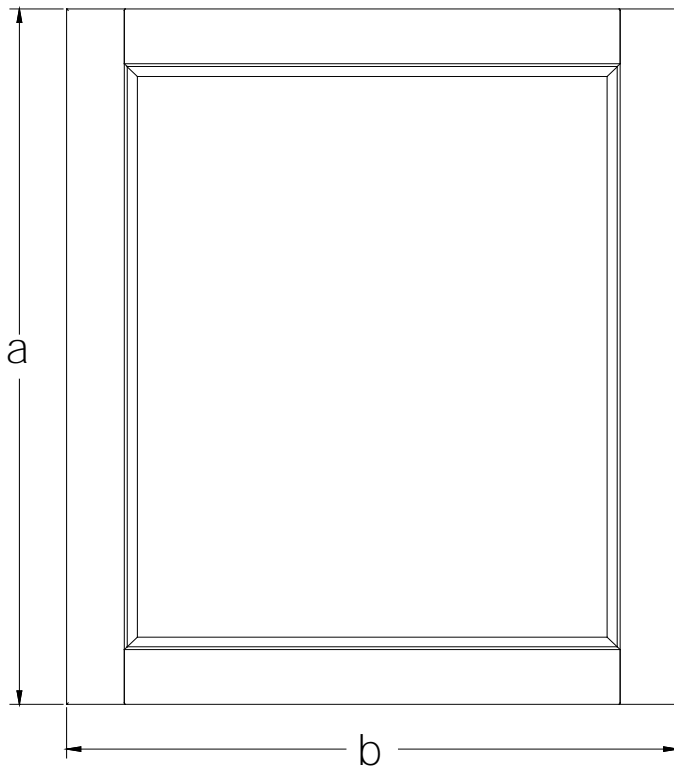
### Door Style:



### Side Panel Dimensions:

a	30"
b	4 $\frac{1}{2}$ "
c	2 $\frac{3}{8}$ "
d	18"
e	20 $\frac{3}{8}$ "
f	34 $\frac{1}{2}$ "

**VNS-MR3036**



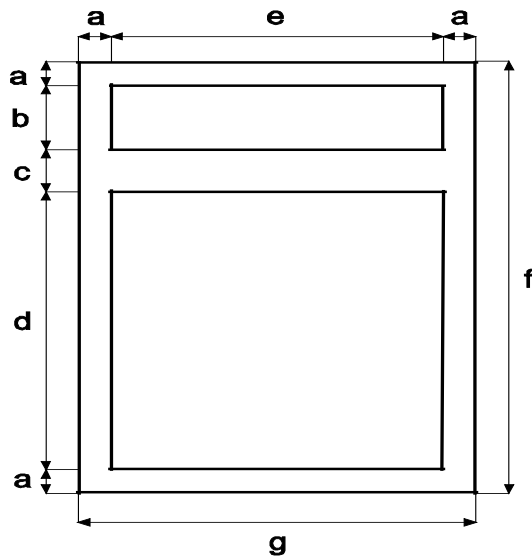
a	36"
b	30"
c	$\frac{3}{4}$ "

Glass Dimensions: 25  $\frac{1}{8}$ "W x 31  $\frac{1}{8}$ "H

- Mirror glass is beveled



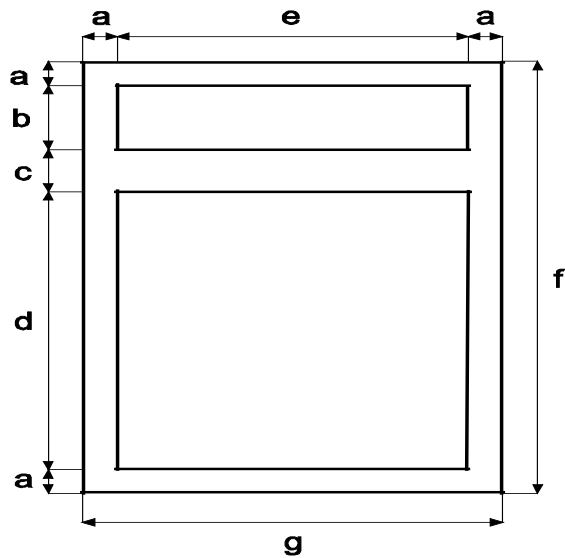
**VNS-V2421B**



a	1 1/2"
b	5 5/32"
c	1 1/2"
d	20 11/32"
e	21"
f	30"
g	24"

- 2 Door Vanity
- Door Opening: 21"W x 20 11/32"H
- Cabinet Inner Dimensions: 22 1/2"W x 19 3/4"D x 28 3/4"H
- Door Size: 11 11/16"W x 22 1/4"H
- False Drawer Head Size: 23 1/2"W x 6 1/2"H
- Cabinet Bottom Panel: 22 7/8"W x 20"D x 3/8"T
- Toe kick: 24"W x 4 1/2"H x 1/2"T

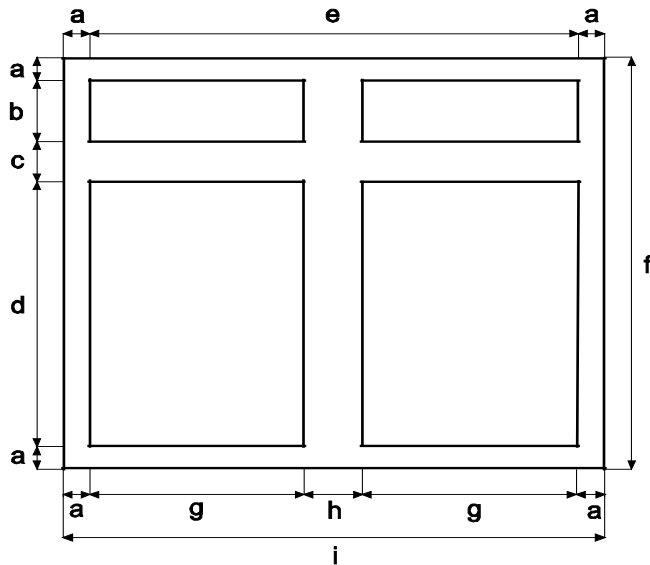
**VNS-V3021B**



a	1 1/2"
b	5 5/32"
c	1 1/2"
d	20 11/32"
e	27"
f	30"
g	30"

- 2 Door Vanity
- Door Opening: 27"W x 20 11/32"H
- Cabinet Inner Dimensions: 28 1/2"W x 19 3/4"D x 28 3/4"H
- Door Size: 14 11/16"W x 22 1/4"H
- False Drawer Head Size: 29 1/2"W x 6 1/2"H
- Cabinet Bottom Panel: 28 7/8"W x 20"D x 3/8"T
- Toe kick: 30"W x 4 1/2"H x 1/2"T

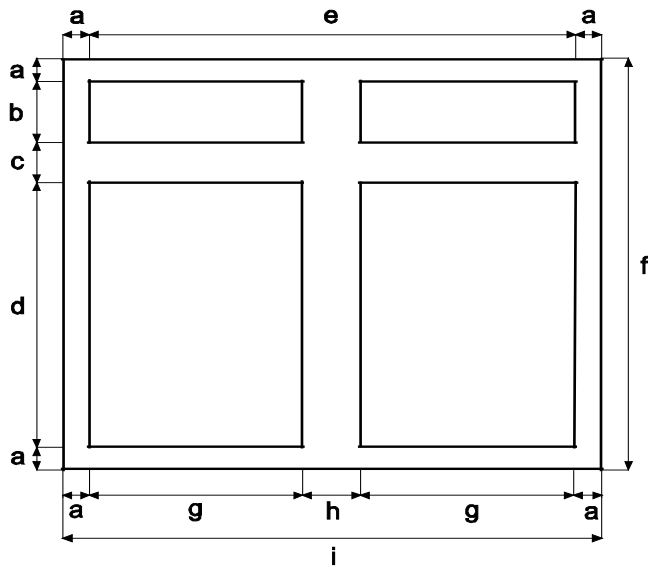
**VNS-V3621**



a	1 1/2"
b	5 5/32"
c	1 1/2"
d	20 11/32"
e	33"
f	30"
g	15"
h	3"
i	36"

- 2 Door Vanity
- Door Opening: 15"W x 20 11/32"H
- Cabinet Inner Dimensions: 34 1/2"W x 19 3/4"D x 28 3/4"H
- Door Size: 17 1/2"W x 22 1/4"H
- False Drawer Head Size: 17 1/2"W x 6 1/2"H
- Cabinet Bottom Panel: 34 7/8"W x 20"D x 3/8"T
- Toe kick: 36"W x 4 1/2"H x 1/2"T

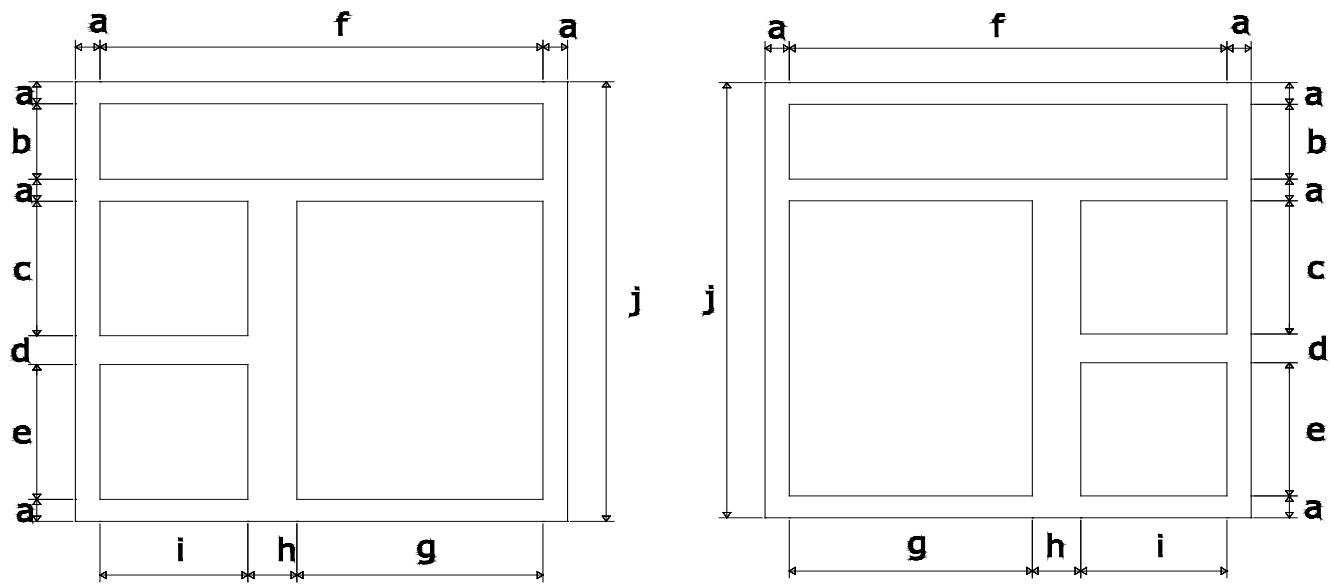
**VNS-V4221**



a	1 1/2"
b	5 5/32"
c	1 1/2"
d	20 11/32"
e	39"
f	30"
g	18"
h	3"
i	42"

- 2 Door Vanity
- Door Opening: 18"W x 20 11/32"H
- Cabinet Inner Dimensions: 40 1/2"W x 19 3/4"D x 28 3/4"H
- Door Size: 20 1/2"W x 22 1/4"H
- False Drawer Head Size: 20 1/2"W x 6 1/2"H
- Cabinet Bottom Panel: 40 7/8"W x 20"D x 3/8"T
- Toe kick: 42"W x 4 1/2"H x 1/2"T

**VNS-V3021D**



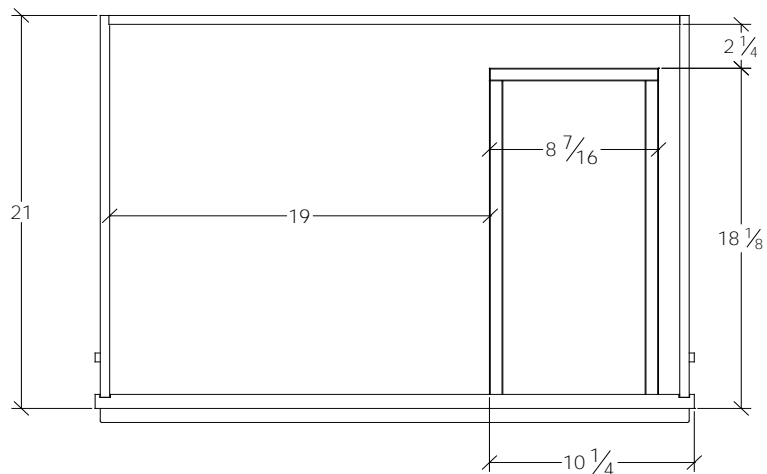
**VNS-V3021D-L**

**VNS-V3021D-R**

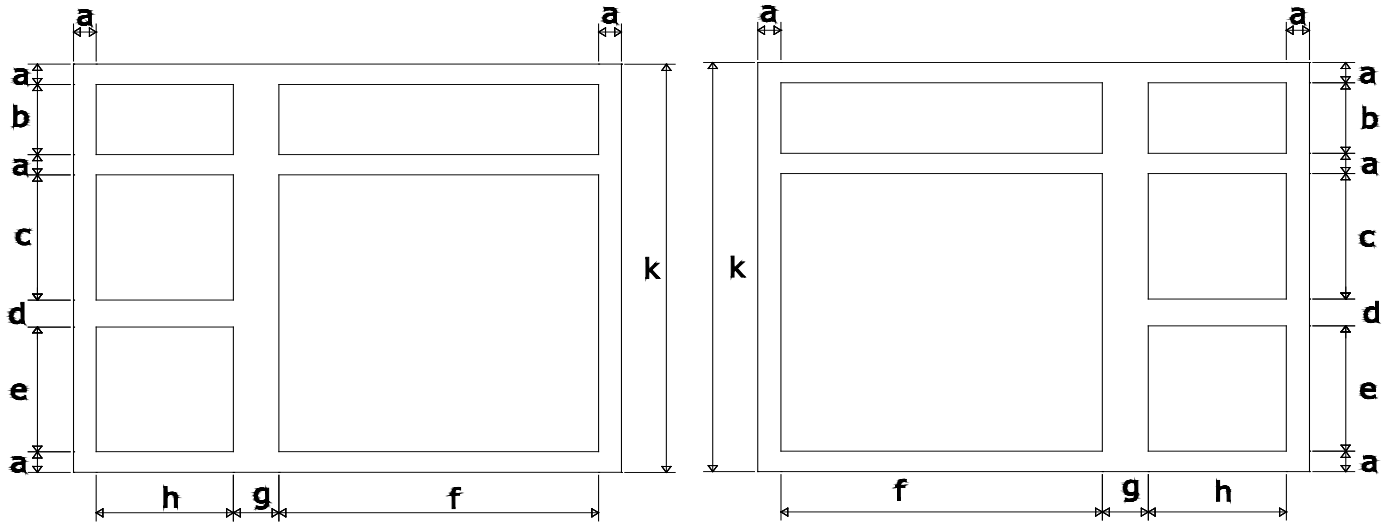
- 1 Door / 2 Drawer Vanity
- Door Opening: 15"W x 20 <sup>11</sup>/<sub>32</sub>"H
- Drawer Inner Dimensions: 7 <sup>1</sup>/<sub>8</sub>"W x 16 <sup>3</sup>/<sub>4</sub>"D x 7"H
- Drawer Outer Dimensions: 8 <sup>7</sup>/<sub>16</sub>"W x 18 <sup>1</sup>/<sub>8</sub>"D x 7 <sup>3</sup>/<sub>4</sub>"H
- Door Size: 17 <sup>1</sup>/<sub>2</sub>"W x 22 <sup>1</sup>/<sub>4</sub>"H
- Drawer Head Size: 11 <sup>1</sup>/<sub>2</sub>"W x 11"H
- False Drawer Head Size: 29 <sup>1</sup>/<sub>2</sub>"W x 6 <sup>1</sup>/<sub>2</sub>"H
- Cabinet Bottom Panel: 28 <sup>7</sup>/<sub>8</sub>"W x 20"D x <sup>3</sup>/<sub>8</sub>"T
- Toe kick: 30"W x 4 <sup>1</sup>/<sub>2</sub>"H x <sup>1</sup>/<sub>2</sub>"T

a	1 <sup>1</sup> / <sub>2</sub> "
b	5 <sup>5</sup> / <sub>32</sub> "
c	9 <sup>1</sup> / <sub>16</sub> "
d	2"
e	9 <sup>9</sup> / <sub>32</sub> "
f	27"
g	15"
h	3"
i	9"
j	30"

- Top drawer is a false, non-working drawer



## VNS-V3621D



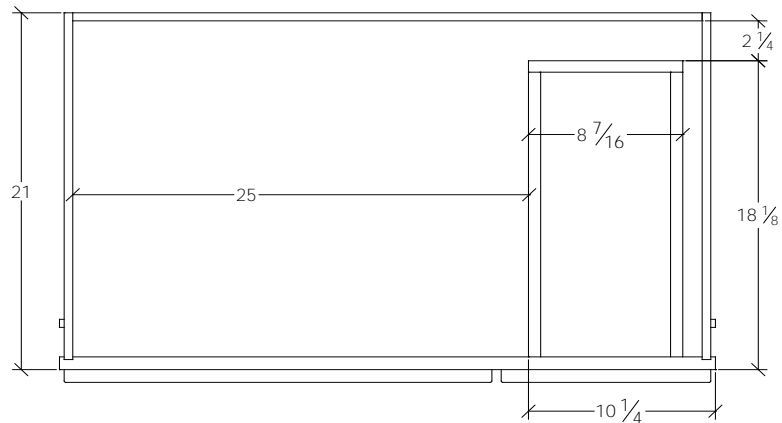
**VNS-V3621D-L**

**VNS-V3621D-R**

- 2 Door / 2 Drawer Vanity
- Door Opening: 21"W x 20 <sup>11</sup>/<sub>32</sub>"H
- Drawer Inner Dimensions: 7 <sup>1</sup>/<sub>8</sub>"W x 16 <sup>3</sup>/<sub>4</sub>"D x 7"H
- Drawer Outer Dimensions: 8 <sup>7</sup>/<sub>16</sub>"W x 18 <sup>1</sup>/<sub>8</sub>"D x 7 <sup>3</sup>/<sub>4</sub>"H
- Door Size: 11 <sup>11</sup>/<sub>16</sub>"W x 22 <sup>1</sup>/<sub>4</sub>"H
- Drawer Head Size: 11 <sup>1</sup>/<sub>2</sub>"W x 11"H
- Large False Drawer Head Size: 23 <sup>1</sup>/<sub>2</sub>"W x 6 <sup>1</sup>/<sub>2</sub>"H
- Small False Drawer Head Size: 11 <sup>1</sup>/<sub>2</sub>"W x 6 <sup>1</sup>/<sub>2</sub>"H
- Cabinet Bottom Panel: 34 <sup>7</sup>/<sub>8</sub>"W x 20"D x <sup>3</sup>/<sub>8</sub>"T
- Toe kick: 36"W x 4 <sup>1</sup>/<sub>2</sub>"H x <sup>1</sup>/<sub>2</sub>"T

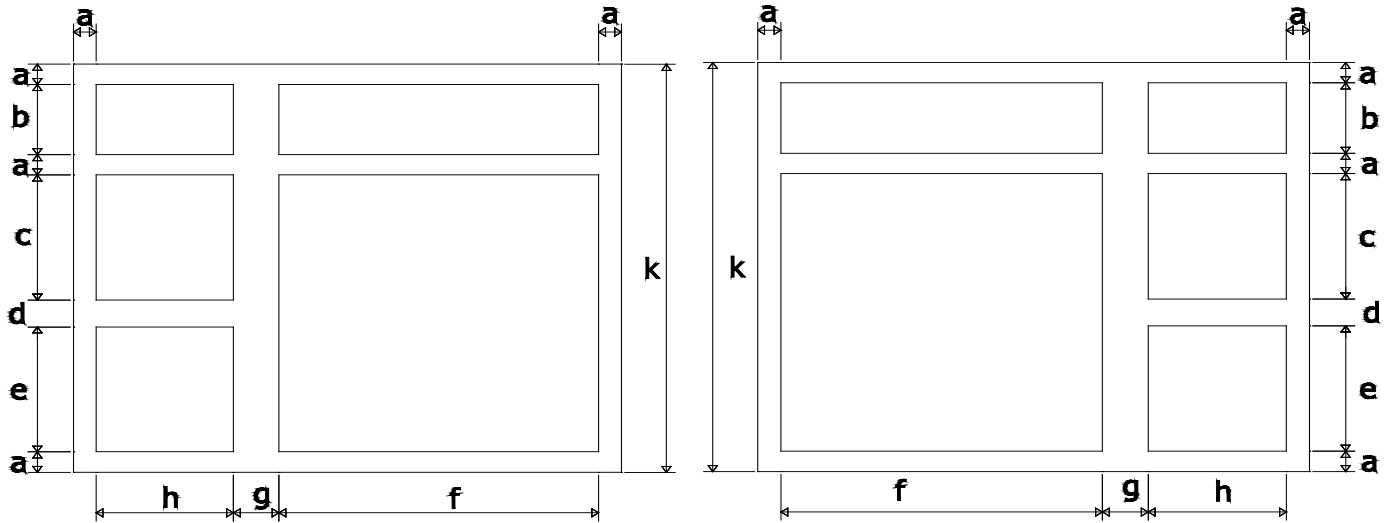
a	1 <sup>1</sup> / <sub>2</sub> "
b	5 <sup>5</sup> / <sub>32</sub> "
c	9 <sup>1</sup> / <sub>16</sub> "
d	2"
e	9 <sup>9</sup> / <sub>32</sub> "
f	21"
g	3"
h	9"
k	30"

- Top drawers are a false, non-working drawers



TOP VIEW

**VNS-V4221D**



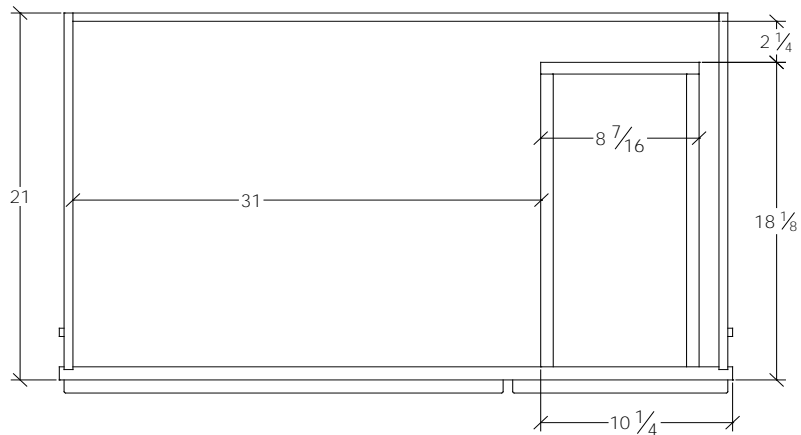
**VNS-V4221D-L**

**VNS-V4221D-R**

- 2 Door / 2 Drawer Vanity
- Door Opening: 21"W x 20 <sup>11</sup>/<sub>32</sub>"H
- Drawer Inner Dimensions: 7 <sup>1</sup>/<sub>8</sub>"W x 16 <sup>3</sup>/<sub>4</sub>"D x 7"H
- Drawer Outer Dimensions: 8 <sup>7</sup>/<sub>16</sub>"W x 18 <sup>1</sup>/<sub>8</sub>"D x 7 <sup>3</sup>/<sub>4</sub>"H
- Door Size: 11 <sup>11</sup>/<sub>16</sub>"W x 22 <sup>1</sup>/<sub>4</sub>"H
- Drawer Head Size: 11 <sup>1</sup>/<sub>2</sub>"W x 11"H
- Large False Drawer Head Size: 23 <sup>1</sup>/<sub>2</sub>"W x 6 <sup>1</sup>/<sub>2</sub>"H
- Small False Drawer Head Size: 11 <sup>1</sup>/<sub>2</sub>"W x 6 <sup>1</sup>/<sub>2</sub>"H
- Cabinet Bottom Panel: 34 <sup>7</sup>/<sub>8</sub>"W x 20"D x <sup>3</sup>/<sub>8</sub>"T
- Toe kick: 36"W x 4 <sup>1</sup>/<sub>2</sub>"H x <sup>1</sup>/<sub>2</sub>"T

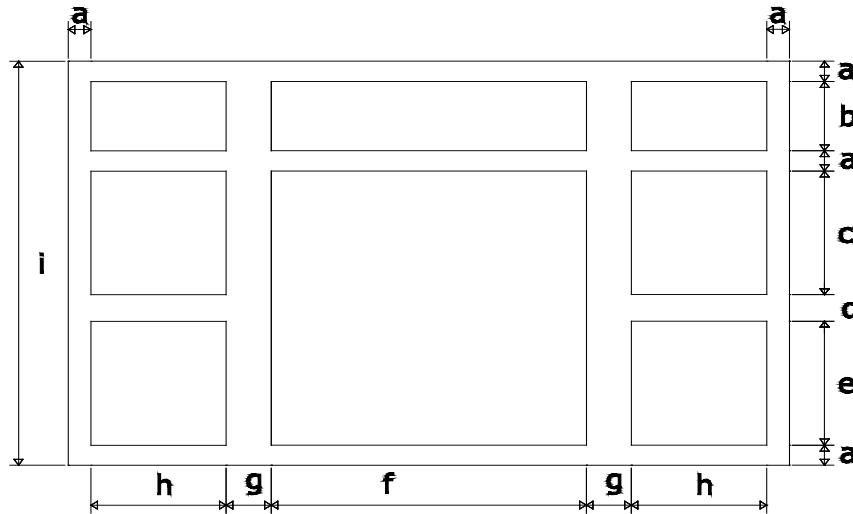
a	1 <sup>1</sup> / <sub>2</sub> "
b	5 <sup>5</sup> / <sub>32</sub> "
c	9 <sup>1</sup> / <sub>16</sub> "
d	2"
e	9 <sup>9</sup> / <sub>32</sub> "
f	27"
g	3"
h	9"
k	30"

- Top drawers are a false, non-working drawers



**TOP VIEW**

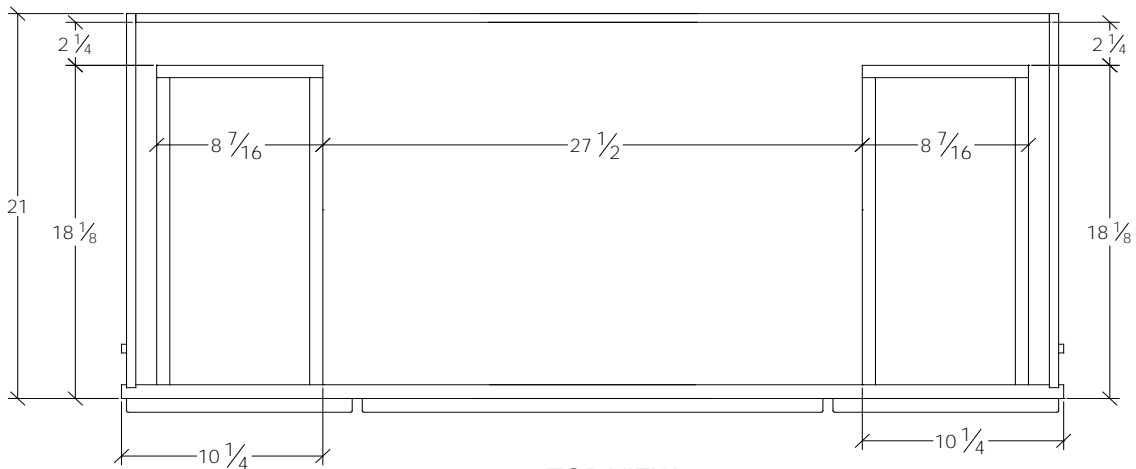
## VNS-V4821D



- 2 Door / 4 Drawer Vanity
- Door Opening: 21"W x 20 <sup>11</sup>/<sub>32</sub>"H
- Drawer Inner Dimensions: 7 <sup>1</sup>/<sub>8</sub>"W x 16 <sup>3</sup>/<sub>4</sub>"D x 7"H
- Drawer Outer Dimensions: 8 <sup>7</sup>/<sub>16</sub>"W x 18 <sup>1</sup>/<sub>8</sub>"D x 7 <sup>3</sup>/<sub>4</sub>"H
- Door Size: 11 <sup>11</sup>/<sub>16</sub>"W x 22 <sup>1</sup>/<sub>4</sub>"H
- Drawer Head Size: 11 <sup>1</sup>/<sub>2</sub>"W x 11"H
- Large False Drawer Head Size: 23 <sup>1</sup>/<sub>2</sub>"W x 6 <sup>1</sup>/<sub>2</sub>"H
- Small False Drawer Head Size: 11 <sup>1</sup>/<sub>2</sub>"W x 6 <sup>1</sup>/<sub>2</sub>"H
- Cabinet Bottom Panel: 46 <sup>7</sup>/<sub>8</sub>"W x 20"D x <sup>3</sup>/<sub>8</sub>"T
- Toe kick: 48"W x 4 <sup>1</sup>/<sub>2</sub>"H x <sup>1</sup>/<sub>2</sub>"T

a	1 <sup>1</sup> / <sub>2</sub> "
b	5 <sup>5</sup> / <sub>32</sub> "
c	9 <sup>1</sup> / <sub>16</sub> "
d	2"
e	9 <sup>9</sup> / <sub>32</sub> "
f	21"
g	3"
h	9"
i	30"

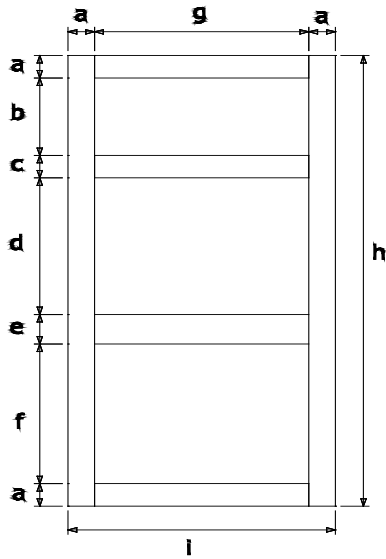
- Top drawers are a false, non-working drawers



TOP VIEW



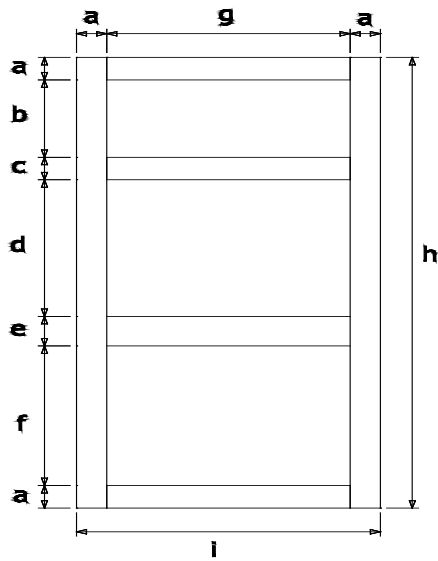
**VNS-VDB1221**



a	1 1/2"
b	5 5/32"
c	1 1/2"
d	9 1/16"
e	2"
f	9 9/32"
g	9"
h	30"
i	12"

- 3 Drawer Base
- Top Drawer Head Size                    11 1/2"W x 6 1/2"H
- Bottom Drawer Head Size                11 1/2"W x 11"H
- Top Drawer Inner Dim.                    7 1/8"W x 16 3/4"D x 3 1/4"H
- Bottom Drawer Inner Dim.                7 1/8"W x 16 3/4"D x 7"H
- Top Drawer Outer Dim.                    8 7/16"W x 18 1/8"D x 4"H
- Bottom Drawer Outer Dim.                8 7/16"W x 18 1/8"D x 7 3/4"H

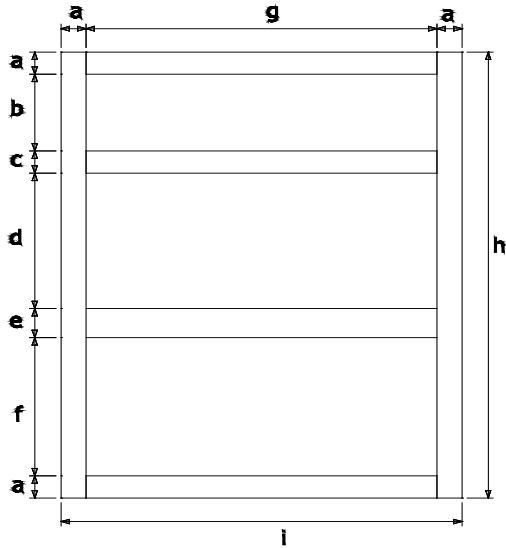
**VNS-VDB1521**



a	1 1/2"
b	5 5/32"
c	1 1/2"
d	9 1/16"
e	2"
f	9 9/32"
g	12"
h	30"
i	15"

- 3 Drawer Base
- Top Drawer Head Size 14 1/2"W x 6 1/2"H
- Bottom Drawer Head Size 14 1/2"W x 11"H
- Top Drawer Inner Dim. 10 1/8"W x 16 3/4"D x 3 1/4"H
- Bottom Drawer Inner Dim. 10 1/8"W x 16 3/4"D x 7"H
- Top Drawer Outer Dim. 11 7/16"W x 18 1/8"D x 4"H
- Bottom Drawer Outer Dim. 11 7/16"W x 18 1/8"D x 7 3/4"H

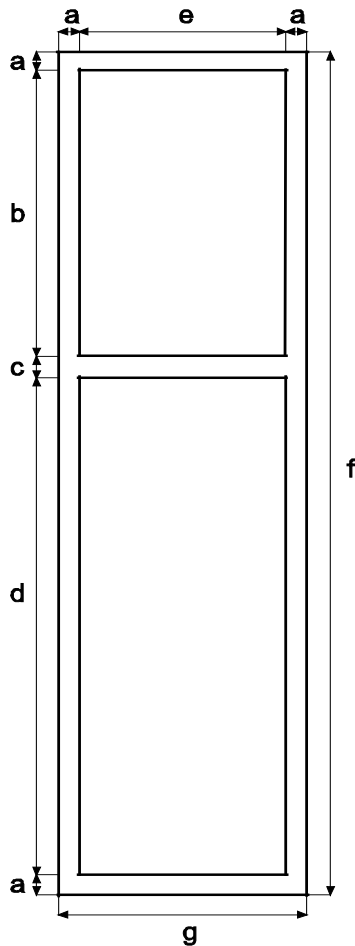
**VNS-VDB1821**



a	1 1/2"
b	5 5/32"
c	1 1/2"
d	9 1/16"
e	2"
f	9 9/32"
g	15"
h	30"
i	18"

- 3 Drawer Base
- Top Drawer Head Size 17 1/2"W x 6 1/2"H
- Bottom Drawer Head Size 17 1/2"W x 11"H
- Top Drawer Inner Dim. 13 1/8"W x 16 3/4"D x 3 1/4"H
- Bottom Drawer Inner Dim. 13 1/8"W x 16 3/4"D x 7"H
- Top Drawer Outer Dim. 14 7/16"W x 18 1/8"D x 4"H
- Bottom Drawer Outer Dim. 14 7/16"W x 18 1/8"D x 7 3/4"H

## VNS-VLC1884



a	1 1/2"
b	27 3/4"
c	1 1/2"
d	47 1/4"
e	15"
f	79 1/2"
g	18"

- 2 Door Linen Closet
- Upper Inner Dimensions: 16 1/2"W x 28 1/8"H x 19 3/4"D
- Bottom Inner Dimensions: 16 1/2"W x 48 1/4"H x 19 3/4"D
- Upper Door Size: 17 1/2"W x 28 3/4"H
- Bottom Door Size: 17 1/2"W x 49 1/4"H
- Shelf Size:\* 16 5/16"W x 19 1/2"D

\* VLC1884 has 3 adjustable selves, 1 behind top door and 2 behind bottom door

- Doors are reversible
- Matching toe kick

## Trenton Slab (VTS)

### General Specifications:

- Material: Frame and door are solid maple, cabinet box is plywood
- Finish: Ivory Paint
- Interior: Natural maple finish
- Door design: Full overlay
- Door panel:  $\frac{3}{16}$ " MDF recessed panel
- Drawer head design: Slab
- Hardware: Not included

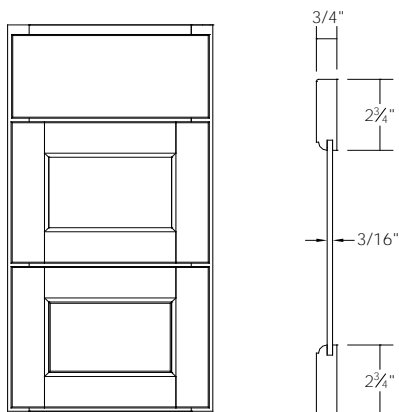
### Cabinet Specifications:

- Cabinet height:  $34 \frac{1}{2}$ "
- Vanity depth: 21"
- Face frame:  $\frac{3}{4}$ " x  $1 \frac{1}{2}$ " Mortise & Tenon
- Side panels:  $\frac{1}{2}$ " plywood with wood veneer on both sides
- Back panel:  $\frac{1}{2}$ " plywood, open back for easy plumbing installation
- Bottom panel:  $\frac{3}{8}$ " plywood with wood veneer on one side
- Toe kick:  $\frac{1}{2}$ " x  $4 \frac{1}{2}$ " plywood finished to match
- Center style: There is no center style on double door units
- Hinge: Soft closing, concealed cup hinge with a 110 degree opening and 3-dimensional adjustment (side, depth and height adjustment)

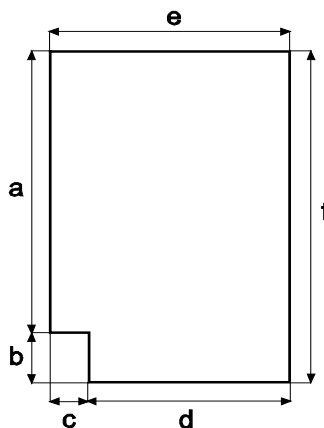
### Drawer Construction:

- Drawer design: Dovetail drawer
- Drawer sides:  $\frac{3}{4}$ " solid wood
- Drawer bottom:  $\frac{3}{8}$ " plywood with wood veneer
- Drawer glides: Under mount, full extension, soft closing glides
- Availability: Drawers are available on the left and right
- Upgrade: BLUM glides available

### Door Style:

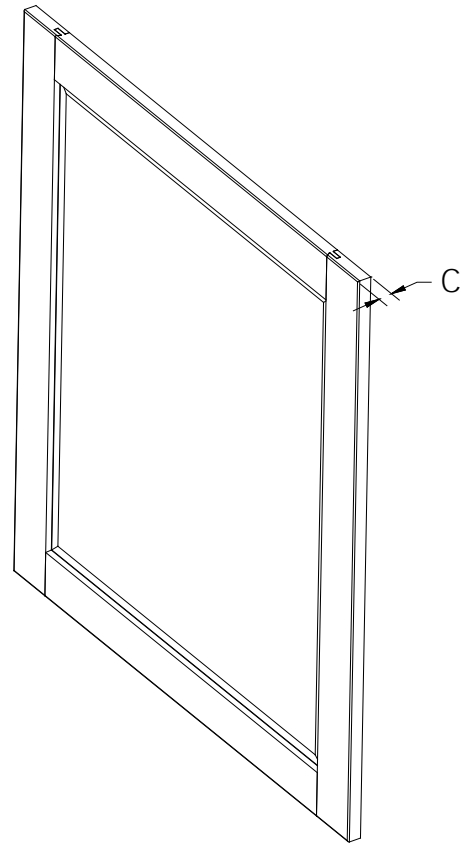
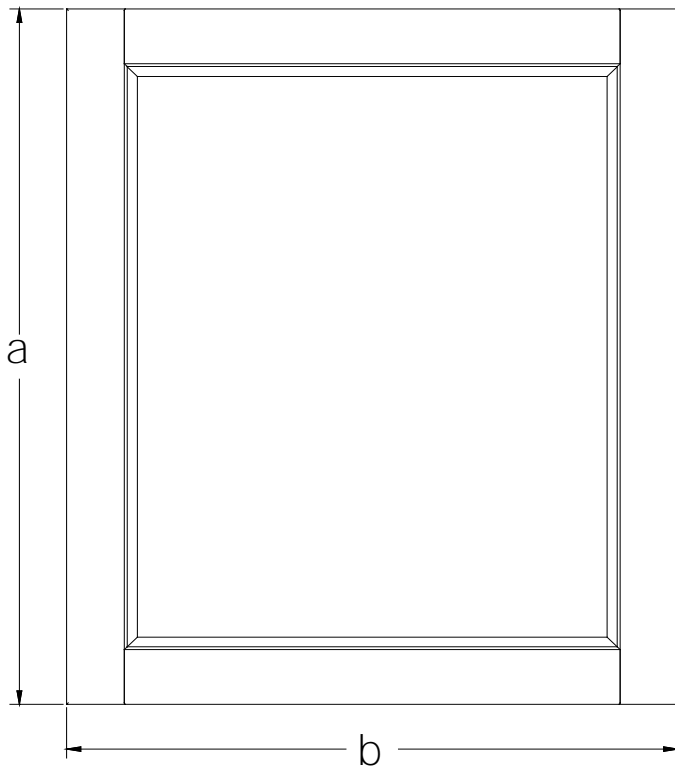


### Side Panel Dimensions:



a	30"
b	$4 \frac{1}{2}$ "
c	$2 \frac{3}{8}$ "
d	18"
e	$20 \frac{3}{8}$ "
f	$34 \frac{1}{2}$ "

**VTS-MR3036**

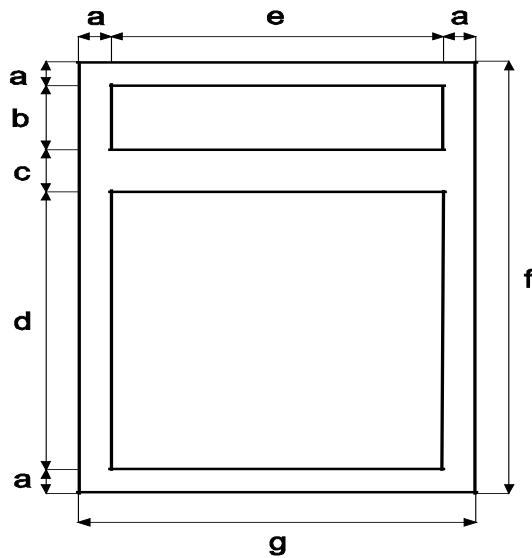


a	36"
b	30"
c	$\frac{3}{4}$ "

Glass Dimensions: 25  $\frac{1}{8}$ "W x 31  $\frac{1}{8}$ "H

- Mirror glass is beveled

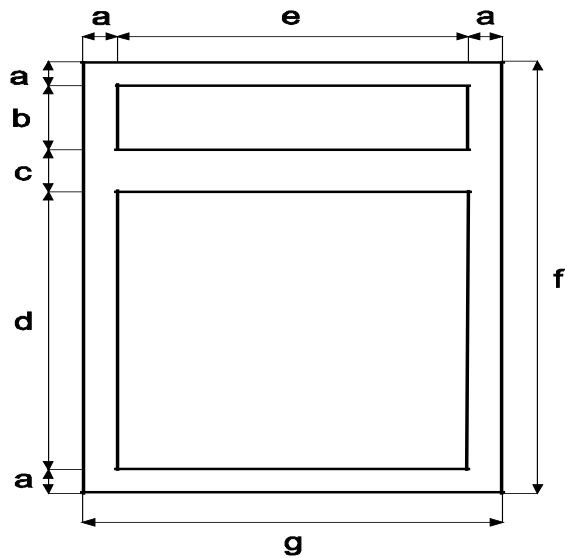
**VTS-V2421B**



a	1 1/2"
b	5 5/32"
c	1 1/2"
d	20 11/32"
e	21"
f	30"
g	24"

- 2 Door Vanity
- Door Opening: 21"W x 20 11/32"H
- Cabinet Inner Dimensions: 22 1/2"W x 19 3/4"D x 28 3/4"H
- Door Size: 11 11/16"W x 22 1/4"H
- False Drawer Head Size: 23 1/2"W x 6 1/2"H
- Cabinet Bottom Panel: 22 7/8"W x 20"D x 3/8"T
- Toe kick: 24"W x 4 1/2"H x 1/2"T

**VTS-V3021B**

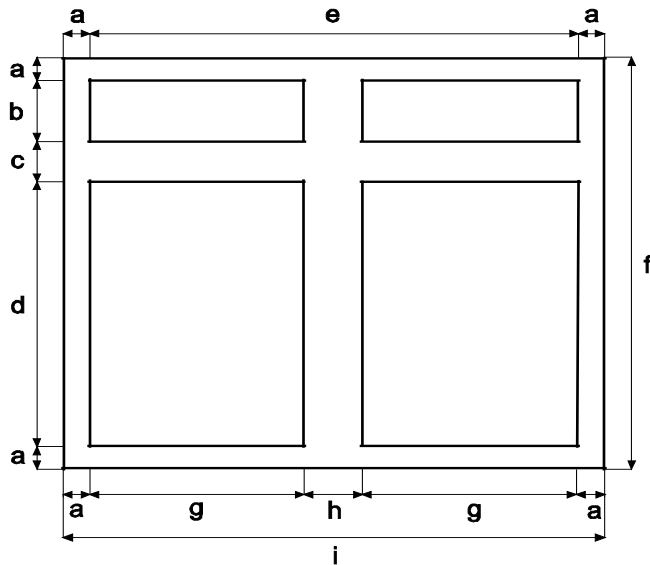


a	1 1/2"
b	5 5/32"
c	1 1/2"
d	20 11/32"
e	27"
f	30"
g	30"

- 2 Door Vanity
- Door Opening: 27"W x 20 11/32"H
- Cabinet Inner Dimensions: 28 1/2"W x 19 3/4"D x 28 3/4"H
- Door Size: 14 11/16"W x 22 1/4"H
- False Drawer Head Size: 29 1/2"W x 6 1/2"H
- Cabinet Bottom Panel: 28 7/8"W x 20"D x 3/8"T
- Toe kick: 30"W x 4 1/2"H x 1/2"T



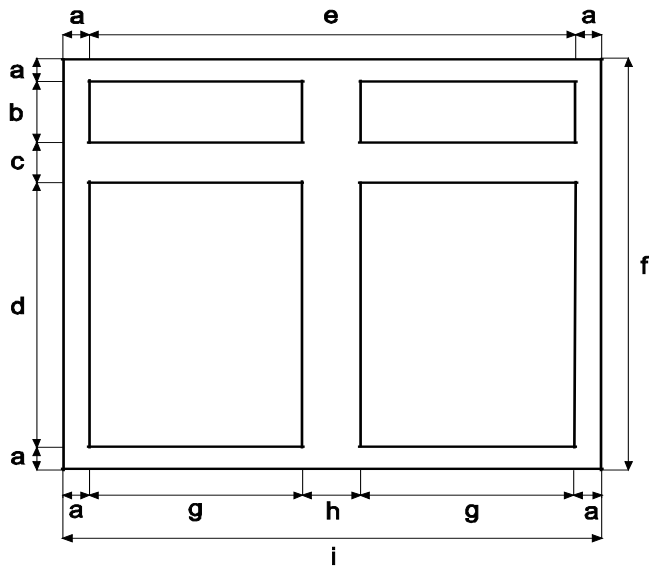
**VTS-V3621**



a	1 1/2"
b	5 5/32"
c	1 1/2"
d	20 11/32"
e	33"
f	30"
g	15"
h	3"
i	36"

- 2 Door Vanity
- Door Opening: 15"W x 20 11/32"H
- Cabinet Inner Dimensions: 34 1/2"W x 19 3/4"D x 28 3/4"H
- Door Size: 17 1/2"W x 22 1/4"H
- False Drawer Head Size: 17 1/2"W x 6 1/2"H
- Cabinet Bottom Panel: 34 7/8"W x 20"D x 3/8"T
- Toe kick: 36"W x 4 1/2"H x 1/2"T

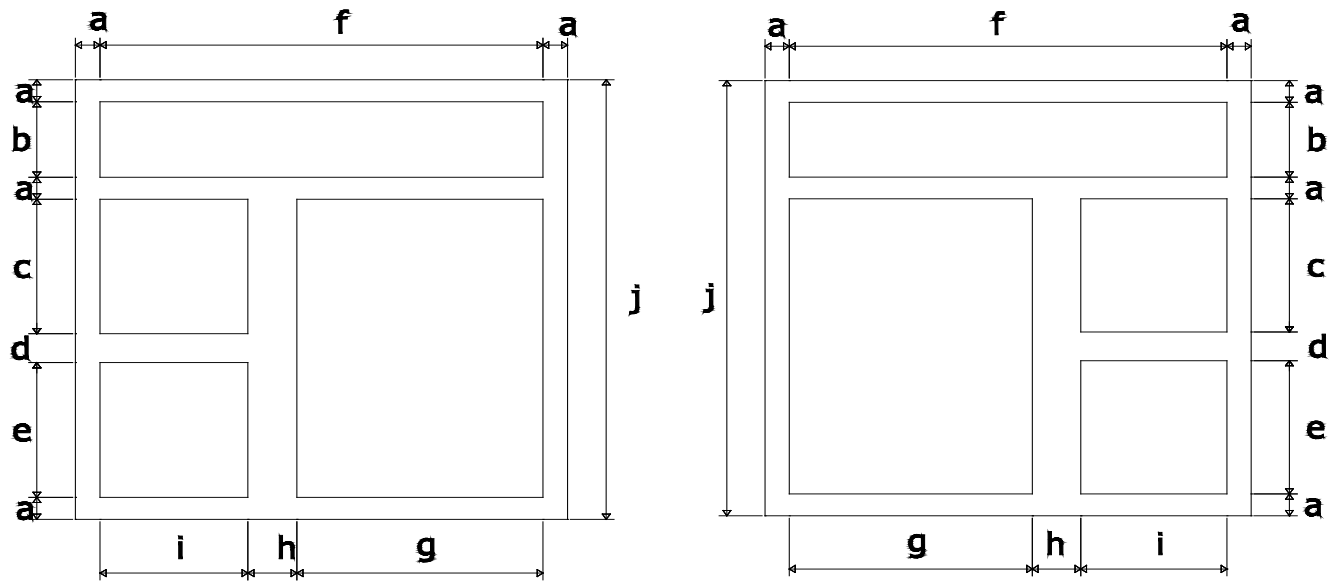
**VTS-V4221**



a	1 1/2"
b	5 5/32"
c	1 1/2"
d	20 11/32"
e	39"
f	30"
g	18"
h	3"
i	42"

- 2 Door Vanity
- Door Opening: 18"W x 20 11/32"H
- Cabinet Inner Dimensions: 40 1/2"W x 19 3/4"D x 28 3/4"H
- Door Size: 20 1/2"W x 22 1/4"H
- False Drawer Head Size: 20 1/2"W x 6 1/2"H
- Cabinet Bottom Panel: 40 7/8"W x 20"D x 3/8"T
- Toe kick: 42"W x 4 1/2"H x 1/2"T

**VTS-V3021D**



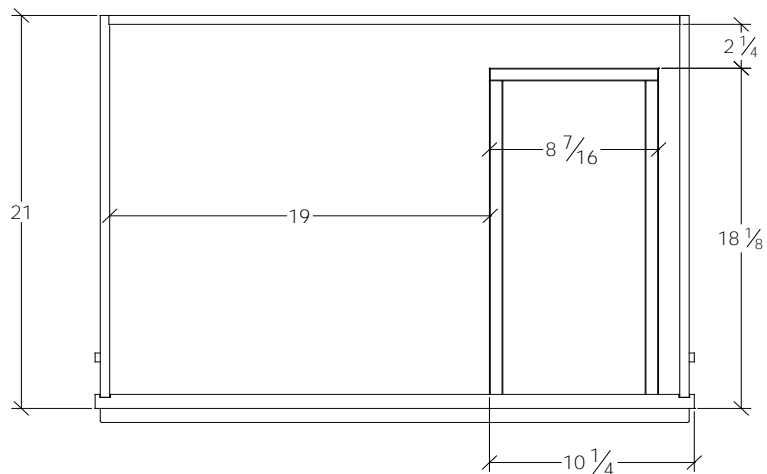
**VTS-V3021D-L**

**VTS-V3021D-R**

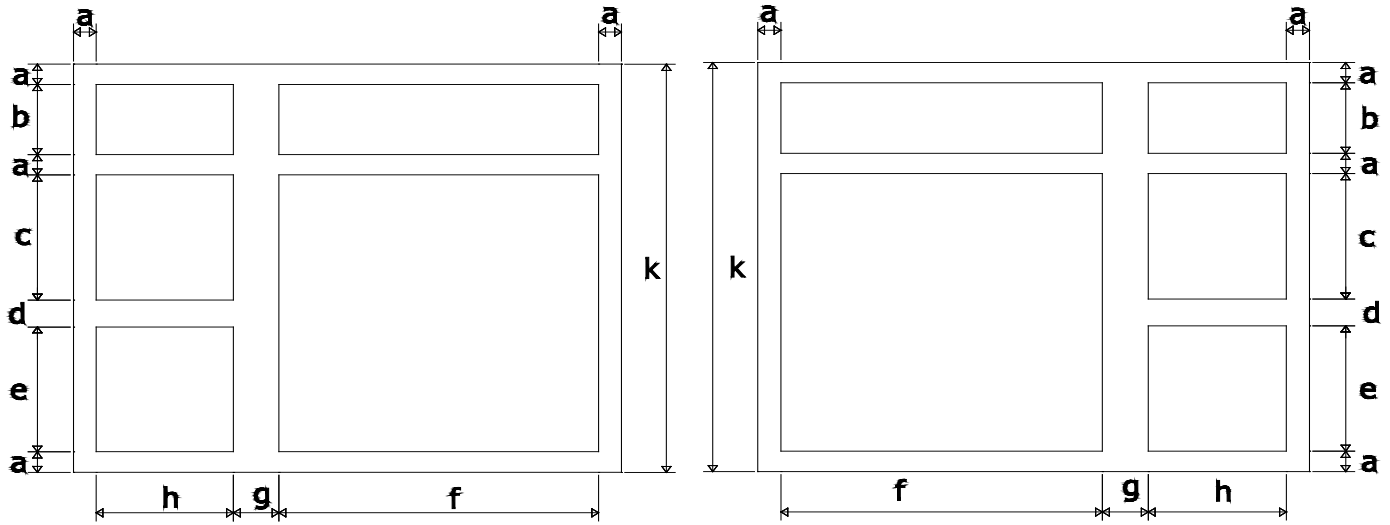
- 1 Door / 2 Drawer Vanity
- Door Opening: 15"W x 20 <sup>11</sup>/<sub>32</sub>"H
- Drawer Inner Dimensions: 7 <sup>1</sup>/<sub>8</sub>"W x 16 <sup>3</sup>/<sub>4</sub>"D x 7"H
- Drawer Outer Dimensions: 8 <sup>7</sup>/<sub>16</sub>"W x 18 <sup>1</sup>/<sub>8</sub>"D x 7 <sup>3</sup>/<sub>4</sub>"H
- Door Size: 17 <sup>1</sup>/<sub>2</sub>"W x 22 <sup>1</sup>/<sub>4</sub>"H
- Drawer Head Size: 11 <sup>1</sup>/<sub>2</sub>"W x 11"H
- False Drawer Head Size: 29 <sup>1</sup>/<sub>2</sub>"W x 6 <sup>1</sup>/<sub>2</sub>"H
- Cabinet Bottom Panel: 28 <sup>7</sup>/<sub>8</sub>"W x 20"D x <sup>3</sup>/<sub>8</sub>"T
- Toe kick: 30"W x 4 <sup>1</sup>/<sub>2</sub>"H x <sup>1</sup>/<sub>2</sub>"T

a	1 <sup>1</sup> / <sub>2</sub> "
b	5 <sup>5</sup> / <sub>32</sub> "
c	9 <sup>1</sup> / <sub>16</sub> "
d	2"
e	9 <sup>9</sup> / <sub>32</sub> "
f	27"
g	15"
h	3"
i	9"
j	30"

- Top drawer is a false, non-working drawer



**VTS-V3621D**



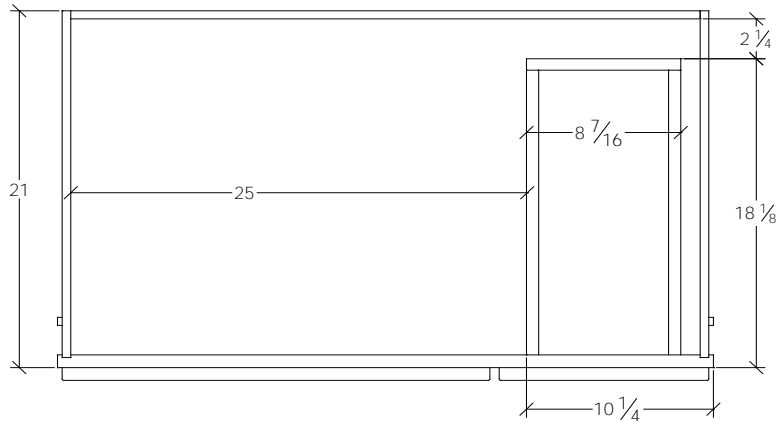
**VTS-V3621D-L**

**VTS-V3621D-R**

- 2 Door / 2 Drawer Vanity
- Door Opening: 21"W x 20 <sup>11</sup>/<sub>32</sub>"H
- Drawer Inner Dimensions: 7 <sup>1</sup>/<sub>8</sub>"W x 16 <sup>3</sup>/<sub>4</sub>"D x 7"H
- Drawer Outer Dimensions: 8 <sup>7</sup>/<sub>16</sub>"W x 18 <sup>1</sup>/<sub>8</sub>"D x 7 <sup>3</sup>/<sub>4</sub>"H
- Door Size: 11 <sup>11</sup>/<sub>16</sub>"W x 22 <sup>1</sup>/<sub>4</sub>"H
- Drawer Head Size: 11 <sup>1</sup>/<sub>2</sub>"W x 11"H
- Large False Drawer Head Size: 23 <sup>1</sup>/<sub>2</sub>"W x 6 <sup>1</sup>/<sub>2</sub>"H
- Small False Drawer Head Size: 11 <sup>1</sup>/<sub>2</sub>"W x 6 <sup>1</sup>/<sub>2</sub>"H
- Cabinet Bottom Panel: 34 <sup>7</sup>/<sub>8</sub>"W x 20"D x <sup>3</sup>/<sub>8</sub>"T
- Toe kick: 36"W x 4 <sup>1</sup>/<sub>2</sub>"H x <sup>1</sup>/<sub>2</sub>"T

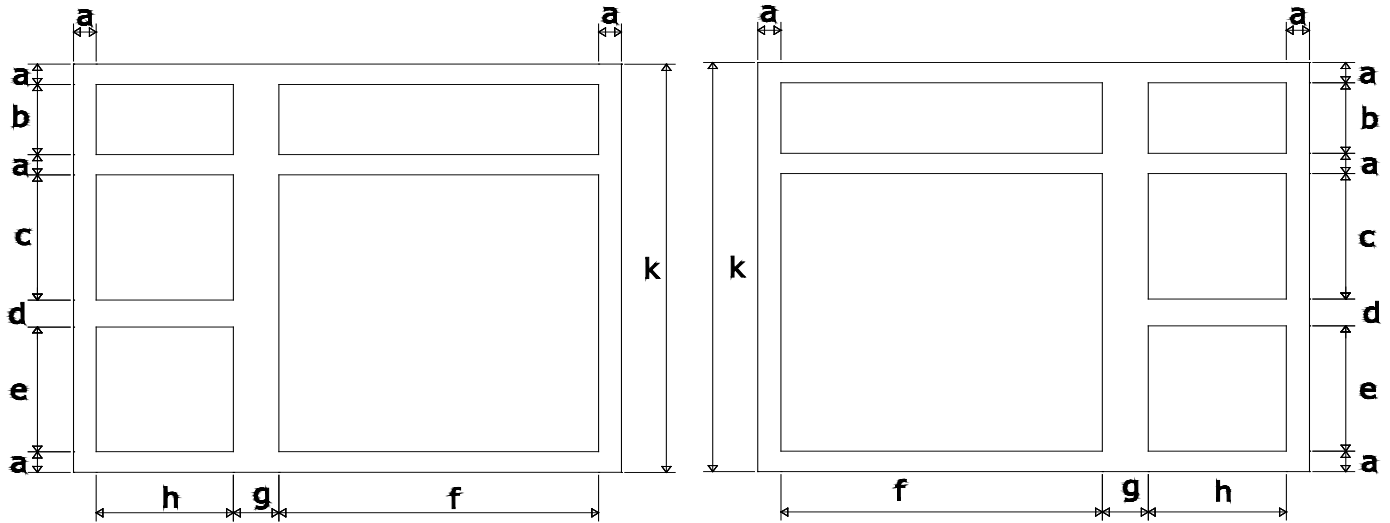
a	1 <sup>1</sup> / <sub>2</sub> "
b	5 <sup>5</sup> / <sub>32</sub> "
c	9 <sup>1</sup> / <sub>16</sub> "
d	2"
e	9 <sup>9</sup> / <sub>32</sub> "
f	21"
g	3"
h	9"
k	30"

- Top drawers are a false, non-working drawers



**TOP VIEW**

## VTS-V4221D



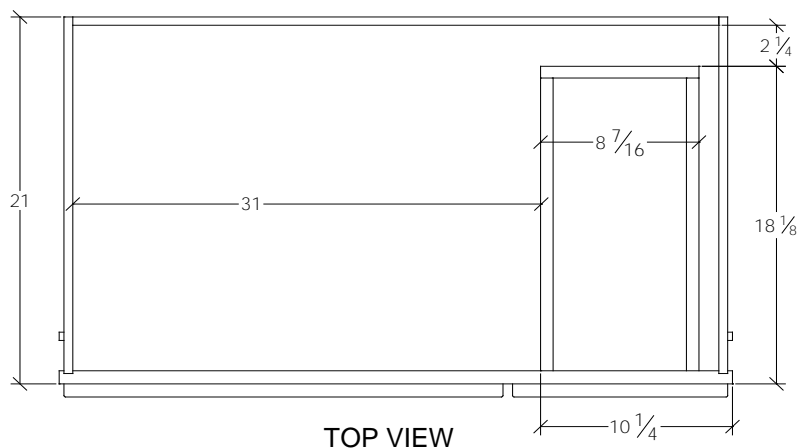
**VTS-V4221D-L**

**VTS-V4221D-R**

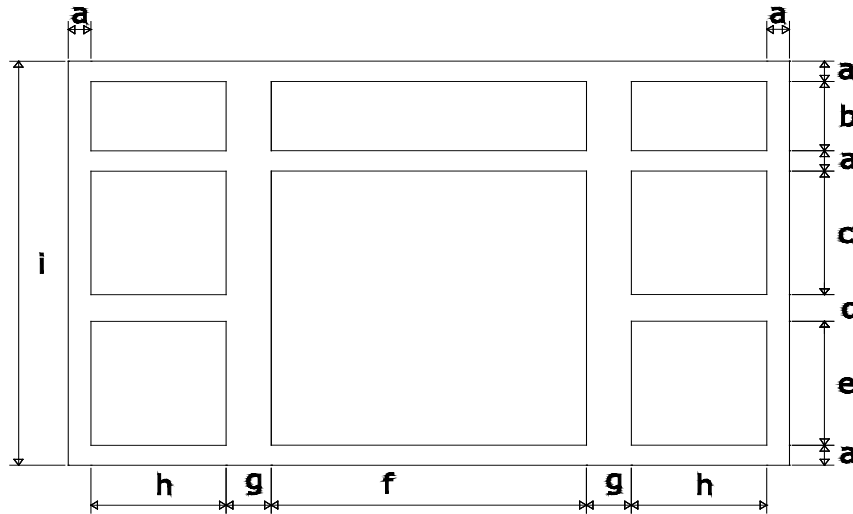
- 2 Door / 2 Drawer Vanity
- Door Opening: 21"W x 20 <sup>11</sup>/<sub>32</sub>"H
- Drawer Inner Dimensions: 7 <sup>1</sup>/<sub>8</sub>"W x 16 <sup>3</sup>/<sub>4</sub>"D x 7"H
- Drawer Outer Dimensions: 8 <sup>7</sup>/<sub>16</sub>"W x 18 <sup>1</sup>/<sub>8</sub>"D x 7 <sup>3</sup>/<sub>4</sub>"H
- Door Size: 11 <sup>11</sup>/<sub>16</sub>"W x 22 <sup>1</sup>/<sub>4</sub>"H
- Drawer Head Size: 11 <sup>1</sup>/<sub>2</sub>"W x 11"H
- Large False Drawer Head Size: 23 <sup>1</sup>/<sub>2</sub>"W x 6 <sup>1</sup>/<sub>2</sub>"H
- Small False Drawer Head Size: 11 <sup>1</sup>/<sub>2</sub>"W x 6 <sup>1</sup>/<sub>2</sub>"H
- Cabinet Bottom Panel: 34 <sup>7</sup>/<sub>8</sub>"W x 20"D x <sup>3</sup>/<sub>8</sub>"T
- Toe kick: 36"W x 4 <sup>1</sup>/<sub>2</sub>"H x <sup>1</sup>/<sub>2</sub>"T

a	1 <sup>1</sup> / <sub>2</sub> "
b	5 <sup>5</sup> / <sub>32</sub> "
c	9 <sup>1</sup> / <sub>16</sub> "
d	2"
e	9 <sup>9</sup> / <sub>32</sub> "
f	27"
g	3"
h	9"
k	30"

- Top drawers are a false, non-working drawers



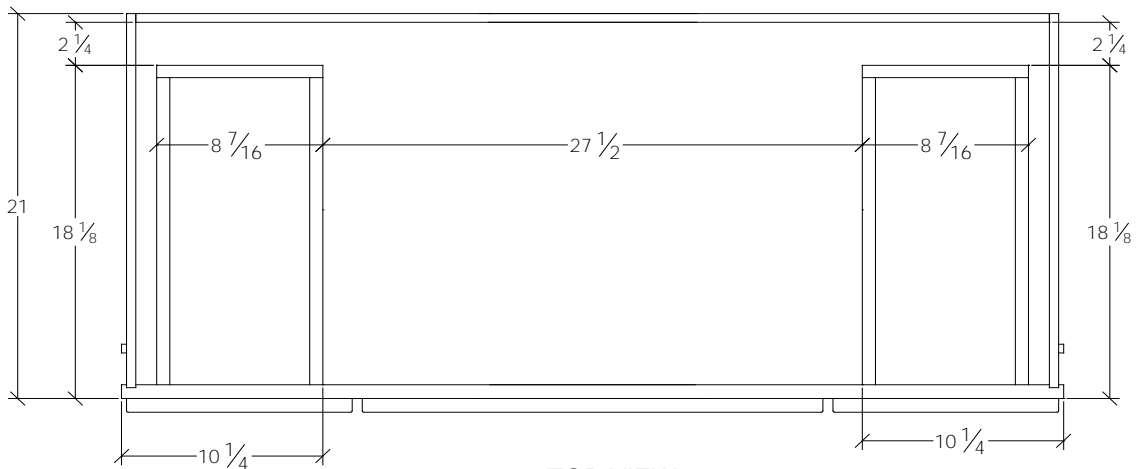
## VTS-V4821D



- 2 Door / 4 Drawer Vanity
- Door Opening: 21"W x 20 <sup>11</sup>/<sub>32</sub>"H
- Drawer Inner Dimensions: 7 <sup>1</sup>/<sub>8</sub>"W x 16 <sup>3</sup>/<sub>4</sub>"D x 7"H
- Drawer Outer Dimensions: 8 <sup>7</sup>/<sub>16</sub>"W x 18 <sup>1</sup>/<sub>8</sub>"D x 7 <sup>3</sup>/<sub>4</sub>"H
- Door Size: 11 <sup>11</sup>/<sub>16</sub>"W x 22 <sup>1</sup>/<sub>4</sub>"H
- Drawer Head Size: 11 <sup>1</sup>/<sub>2</sub>"W x 11"H
- Large False Drawer Head Size: 23 <sup>1</sup>/<sub>2</sub>"W x 6 <sup>1</sup>/<sub>2</sub>"H
- Small False Drawer Head Size: 11 <sup>1</sup>/<sub>2</sub>"W x 6 <sup>1</sup>/<sub>2</sub>"H
- Cabinet Bottom Panel: 46 <sup>7</sup>/<sub>8</sub>"W x 20"D x <sup>3</sup>/<sub>8</sub>"T
- Toe kick: 48"W x 4 <sup>1</sup>/<sub>2</sub>"H x <sup>1</sup>/<sub>2</sub>"T

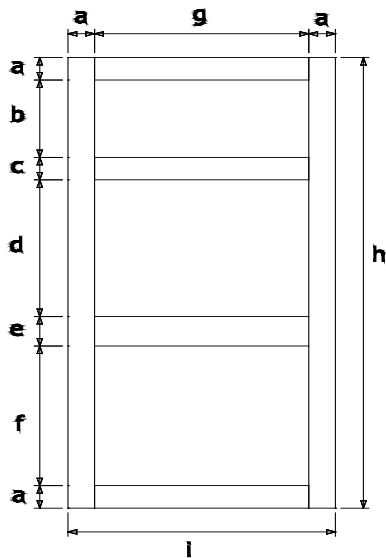
a	1 <sup>1</sup> / <sub>2</sub> "
b	5 <sup>5</sup> / <sub>32</sub> "
c	9 <sup>1</sup> / <sub>16</sub> "
d	2"
e	9 <sup>9</sup> / <sub>32</sub> "
f	21"
g	3"
h	9"
i	30"

- Top drawers are a false, non-working drawers



TOP VIEW

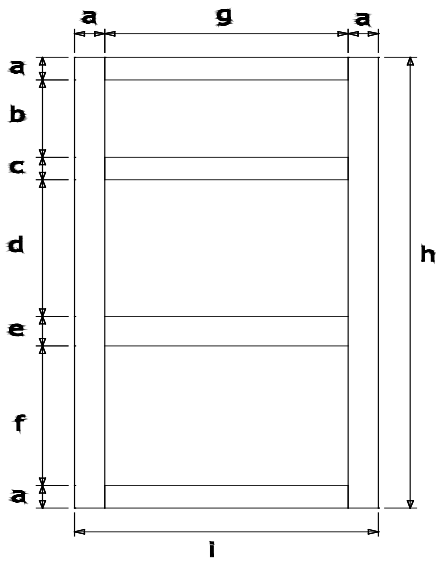
**VTS-VDB1221**



a	1 1/2"
b	5 5/32"
c	1 1/2"
d	9 1/16"
e	2"
f	9 9/32"
g	9"
h	30"
i	12"

- 3 Drawer Base
- Top Drawer Head Size 11 1/2"W x 6 1/2"H
- Bottom Drawer Head Size 11 1/2"W x 11"H
- Top Drawer Inner Dim. 7 1/8"W x 16 3/4"D x 3 1/4"H
- Bottom Drawer Inner Dim. 7 1/8"W x 16 3/4"D x 7"H
- Top Drawer Outer Dim. 8 7/16"W x 18 1/8"D x 4"H
- Bottom Drawer Outer Dim. 8 7/16"W x 18 1/8"D x 7 3/4"H

**VTS-VDB1521**

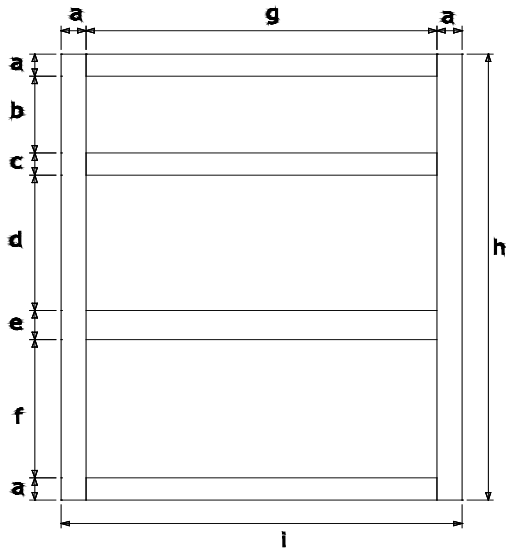


a	1 1/2"
b	5 5/32"
c	1 1/2"
d	9 1/16"
e	2"
f	9 9/32"
g	12"
h	30"
i	15"

- 3 Drawer Base
- Top Drawer Head Size 14 1/2"W x 6 1/2"H
- Bottom Drawer Head Size 14 1/2"W x 11"H
- Top Drawer Inner Dim. 10 1/8"W x 16 3/4"D x 3 1/4"H
- Bottom Drawer Inner Dim. 10 1/8"W x 16 3/4"D x 7"H
- Top Drawer Outer Dim. 11 7/16"W x 18 1/8"D x 4"H
- Bottom Drawer Outer Dim. 11 7/16"W x 18 1/8"D x 7 3/4"H



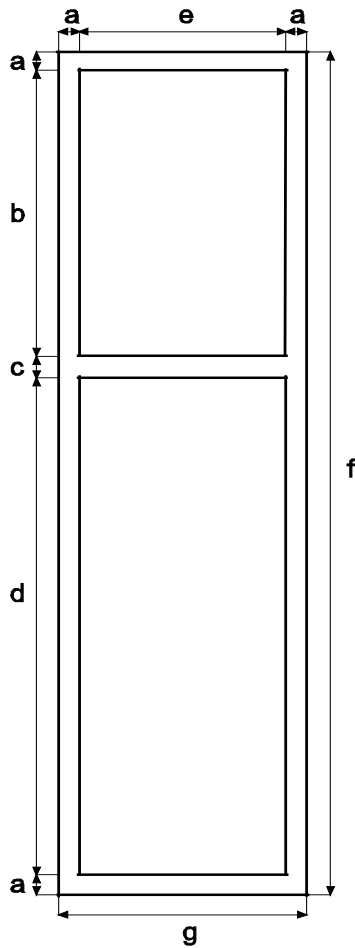
**VTS-VDB1821**



a	1 1/2"
b	5 5/32"
c	1 1/2"
d	9 1/16"
e	2"
f	9 9/32"
g	15"
h	30"
i	18"

- 3 Drawer Base
- Top Drawer Head Size 17 1/2"W x 6 1/2"H
- Bottom Drawer Head Size 17 1/2"W x 11"H
- Top Drawer Inner Dim. 13 1/8"W x 16 3/4"D x 3 1/4"H
- Bottom Drawer Inner Dim. 13 1/8"W x 16 3/4"D x 7"H
- Top Drawer Outer Dim. 14 7/16"W x 18 1/8"D x 4"H
- Bottom Drawer Outer Dim. 14 7/16"W x 18 1/8"D x 7 3/4"H

## VTS-VLC1884



a	1 1/2"
b	27 3/4"
c	1 1/2"
d	47 1/4"
e	15"
f	79 1/2"
g	18"

- 2 Door Linen Closet
- Upper Inner Dimensions: 16 1/2"W x 28 1/8"H x 19 3/4"D
- Bottom Inner Dimensions: 16 1/2"W x 48 1/4"H x 19 3/4"D
- Upper Door Size: 17 1/2"W x 28 3/4"H
- Bottom Door Size: 17 1/2"W x 49 1/4"H
- Shelf Size:\* 16 5/16"W x 19 1/2"D

\* VLC1884 has 3 adjustable selves, 1 behind top door and 2 behind bottom door

- Doors are reversible
- Matching toe kick

## Trenton Tapered Leg

VT-VF2421, VT-VF3021, VT-VF3621, VT-VDB1221

### General Specifications:

- Material: Solid maple frame and door stiles, plywood cabinet box
- Stain: Ivory paint
- Interior: Natural Maple finish
- Door design: Full overlay, Full height doors
- Door panel: MDF recessed, square on both wall and base cabinets
- Drawer head design: 5 piece with recessed panel
- Hardware: Not included

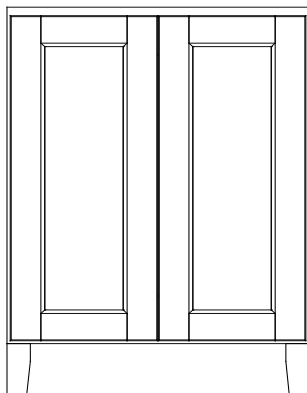
### Cabinet Specifications:

- Cabinet height: 34 1/2"
- Vanity depth: 21"
- Face frame: 3/4" x 1 1/2" Mortise & Tenon
- Side panels: 1/2" plywood with wood veneer on both sides
- Back panel: 1/2" plywood, open back for easy plumbing installation
- Bottom panel: 3/8" plywood with wood veneer on one side
- Legs: 1 7/8" x 1 7/8" x 4 1/2" solid wood
- Center style: There is no center style on double door units
- Hinge: Concealed cup hinge with a 110 degree opening and 3-dimensional adjustment (side, depth and height adjustment)

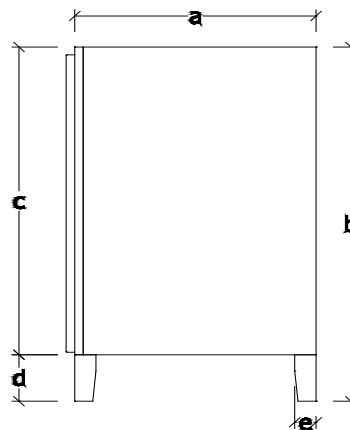
### Drawer Construction:

- Drawer design: Dovetail drawer
- Drawer sides: 3/4" solid wood
- Drawer bottom: 3/8" plywood with wood veneer
- Drawer glides: Side mount, full extension glides
- Upgrade: None.

### Door Style:



### Side Panel Dimensions:



a	21"
b	34 1/2"
c	30"
d	4 1/2"
e	1 7/8"

## Trenton Shelf Vanity

VT-SV3621, VT-SV4821, VT-SV5421, VT-SV6021

### General Specifications:

- Material: Solid maple frame and door stiles, plywood cabinet box
- Stain: Ivory paint
- Interior: Natural Maple finish
- Door design: Inset door
- Door panel: MDF recessed, square on both wall and base cabinets
- Drawer head design: 5 piece with recessed panel
- Hardware: Not included

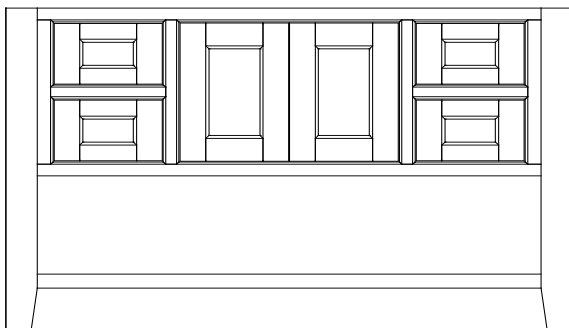
### Cabinet Specifications:

- Cabinet height: 34 1/2"
- Vanity depth: 21 3/4" with the legs
- Face frame: 3/4" x 1 1/2" Mortise & Tenon
- Side panels: 1/2" plywood with wood veneer on both sides
- Back panel: 1/2" plywood with wood veneer on the inside
- Bottom panel: 1/2" plywood with wood veneer on one side
- Legs: 3" x 2 9/16" x 34 1/2" solid wood
- Center style: There is no center style on double door units
- Hinge: Concealed cup hinge with a 110 degree opening and 3-dimensional adjustment (side, depth and height adjustment)

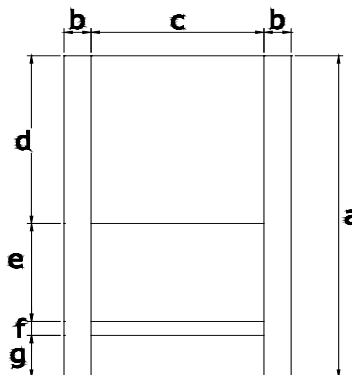
### Drawer Construction:

- Drawer design: Dovetail drawer
- Drawer sides: 3/4" solid wood
- Drawer bottom: 3/8" plywood with wood veneer
- Drawer glides: Side mount, full extension glides
- Upgrade: None.

### Door Style:

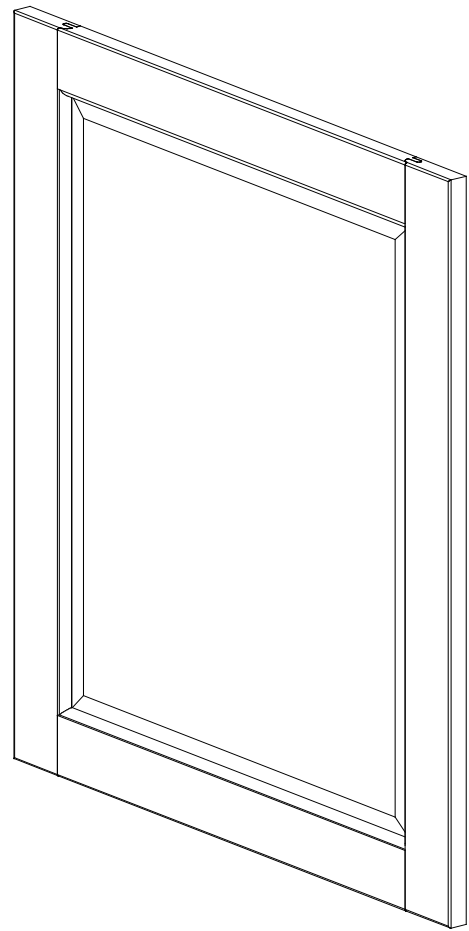
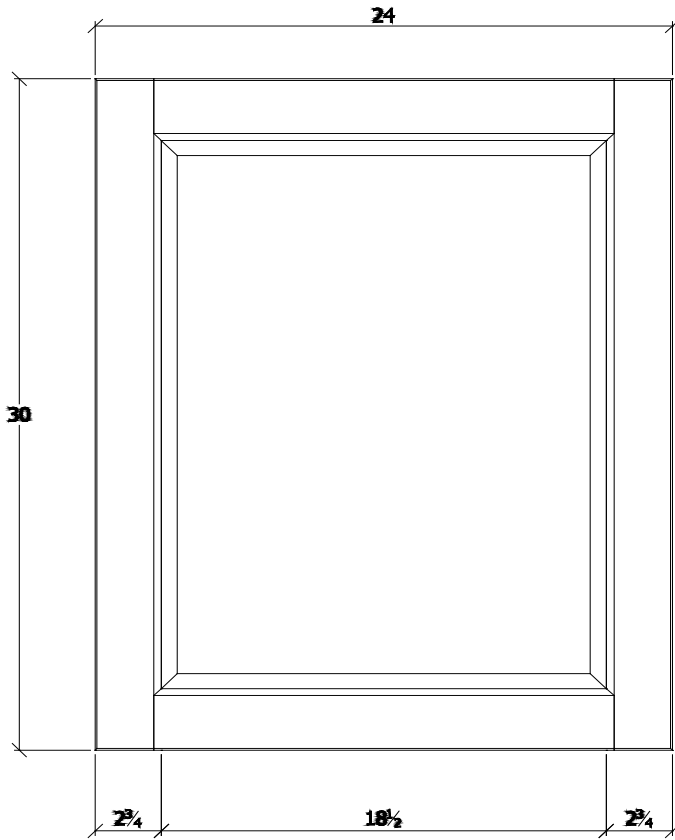


### Side Panel Dimensions:



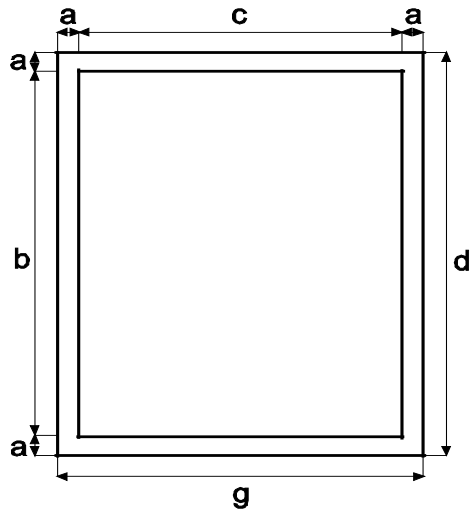
a	34 1/2"
b	2 9/16"
c	16 5/8"
d	18"
e	10 1/2"
f	1 1/2"
g	4 1/2"

**VT-MR2430**



- Mirror glass is beveled
- Glass Dimensions: 19 1/4"W x 25 1/8"H

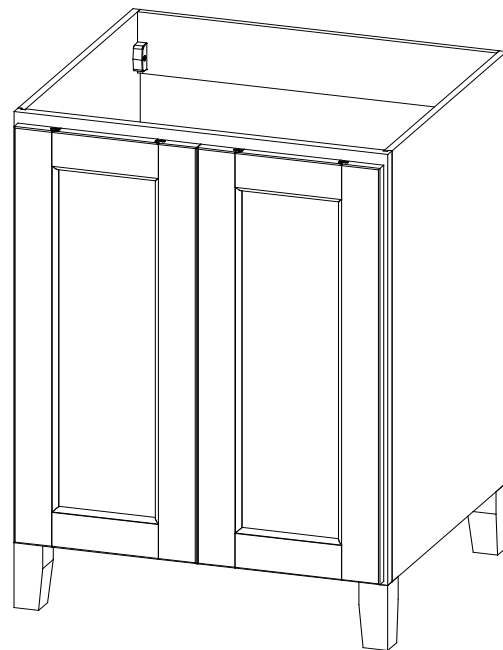
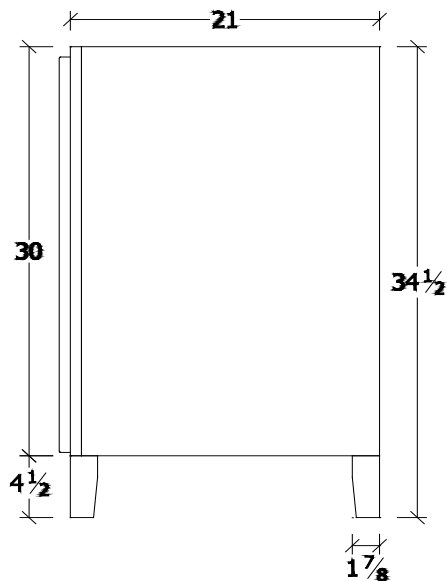
**VT-VF2421**



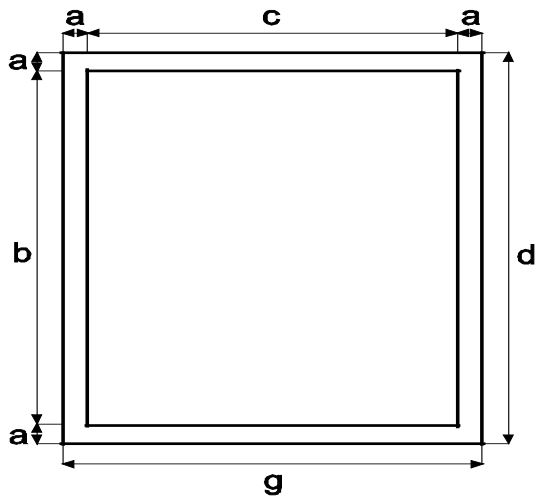
a	1 1/2"
b	27"
c	21"
d	30"
g	24"

- 2 Door Vanity
- Door Opening: 21"W x 27"H
- Cabinet Inner Dimensions: 22 1/2"W x 19 3/4"D x 28 3/4"H
- Door Size: 11 11/16"W x 29"H
- Legs: 1 7/8" x 1 7/8" x 4 1/2"
- Cabinet Bottom Panel: 22 7/8"W x 20"D x 3/8"T

\* Legs are removable.  
\* Side panels are flush with frame.



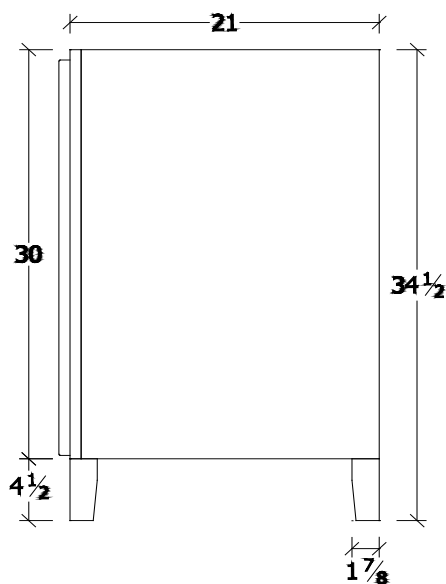
**VT-VF3021**



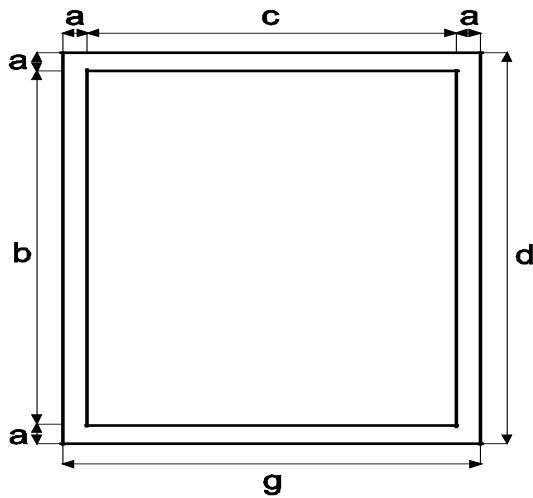
a	1 1/2"
b	27"
c	27"
d	30"
g	30"

- 2 Door Vanity
- Door Opening: 27"W x 27"H
- Cabinet Inner Dimensions: 28 1/2"W x 19 3/4"D x 28 3/4"H
- Door Size: 14 11/16"W x 29"H
- Legs: 1 7/8" x 1 7/8" x 4 1/2"
- Cabinet Bottom Panel: 28 7/8"W x 20"D x 3/8"T

\* Legs are removable.  
\* Side panels are flush with frame.



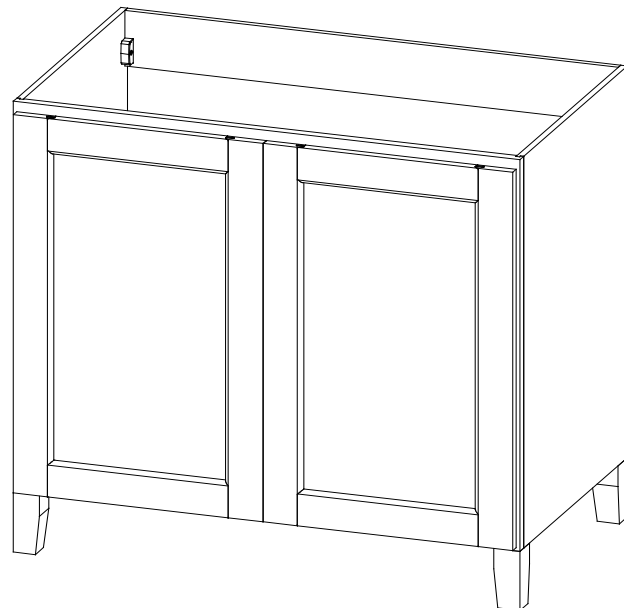
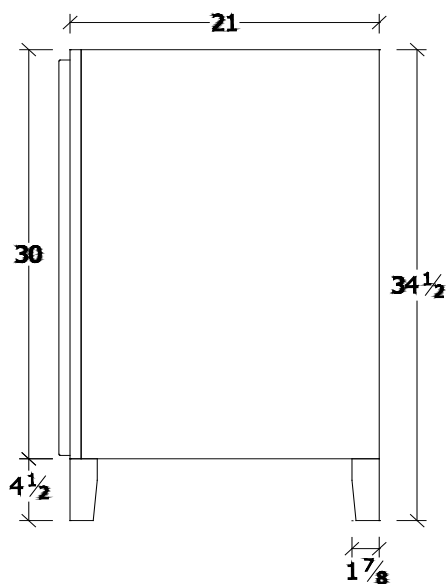
**VT-VF3621**



a	1 1/2"
b	27"
c	33"
d	30"
g	36"

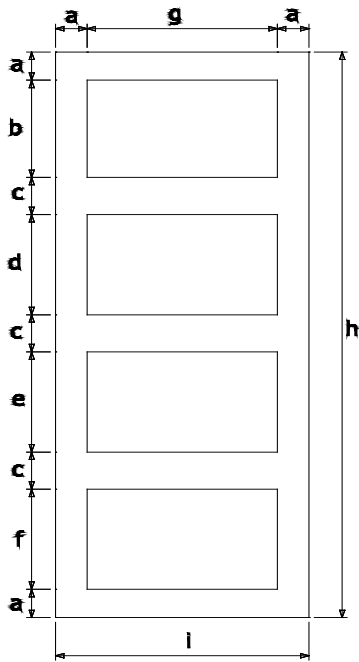
- 2 Door Vanity
- Door Opening: 33"W x 27"H
- Cabinet Inner Dimensions: 34 1/2"W x 19 3/4"D x 28 3/4"H
- Door Size: 17 11/16"W x 29"H
- Legs: 1 7/8" x 1 7/8" x 4 1/2"
- Cabinet Bottom Panel: 34 7/8"W x 20"D x 3/8"T

\* Legs are removable.  
\* Side panels are flush with frame.





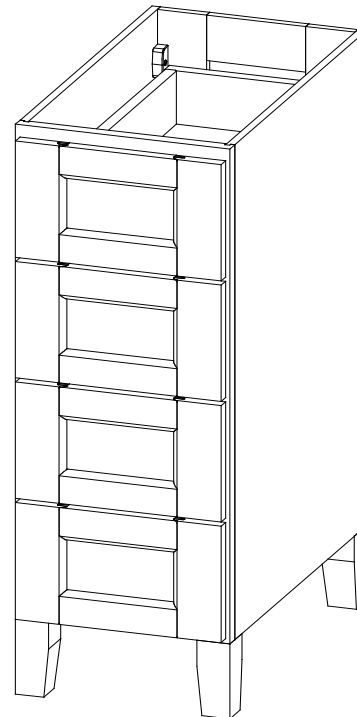
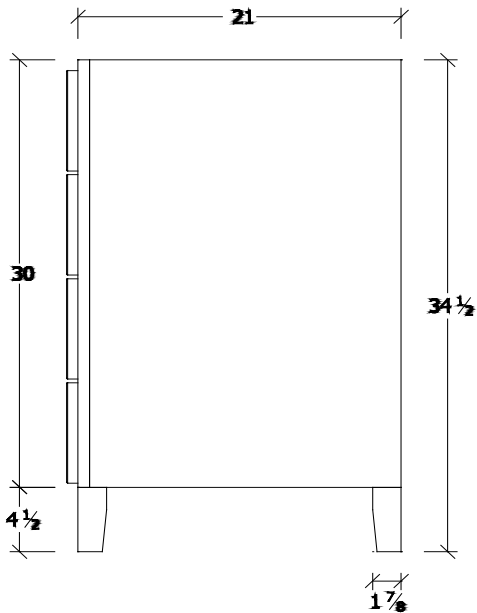
**VT-VDB1221**



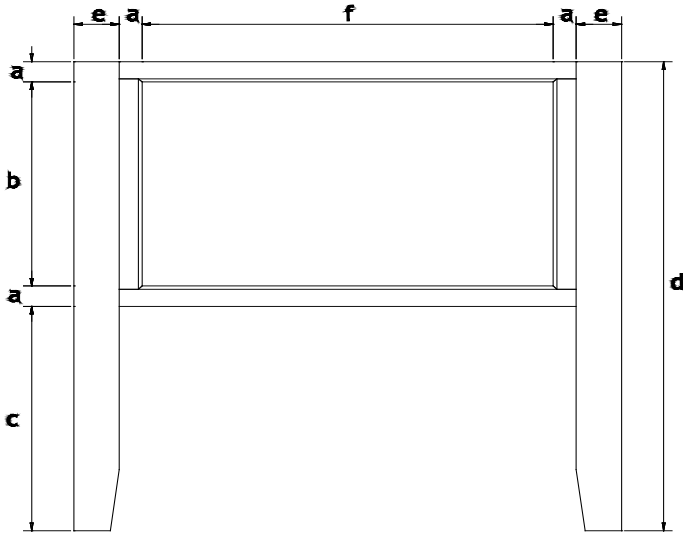
a	1 1/2"
b	5 5/32"
c	2"
d	5 5/16"
e	5 5/16"
f	5 5/16"
g	9"
h	30"
i	12"

- 4 Drawer Base
- Drawer Head Size 11 1/2"W x 7 1/16"H
- Drawer Inner Dim. 6 5/8"W x 16 3/4"D x 3 1/4" H
- Drawer Outer Dim. 8"W x 18 1/8"D x 4" H

\* Legs are removable.  
\* Side panels are flush with frame.



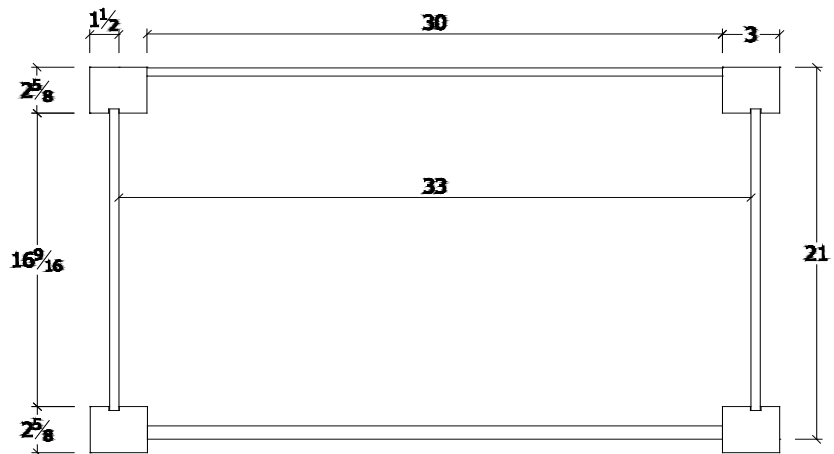
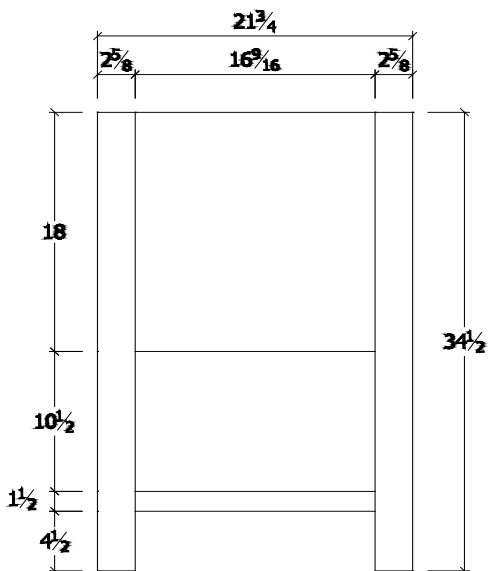
**VT-SV3621**



a	1 1/2"
b	15"
c	16 1/2"
d	34 1/2"
e	3"
f	27"

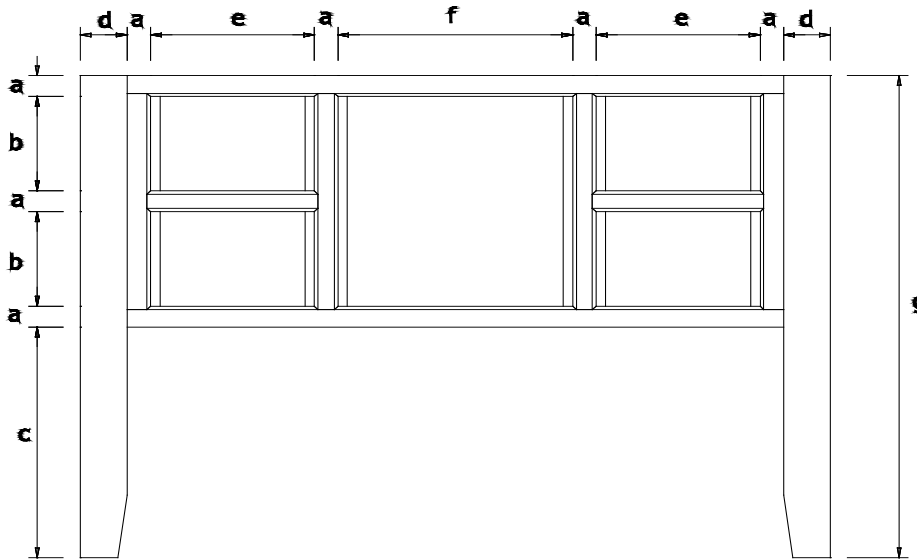
- 2 Door Vanity
- Door Opening: 27"W x 15"H
- Door Size: 13 3/8"W x 14 7/8"H
- Cabinet Bottom Panel: 33 7/16"W x 20"D x 1/2"T
- Shelf: 30"W x 21"D

- \* Open shelf
- \* Inset doors
- \* Solid wood legs



TOP VIEW

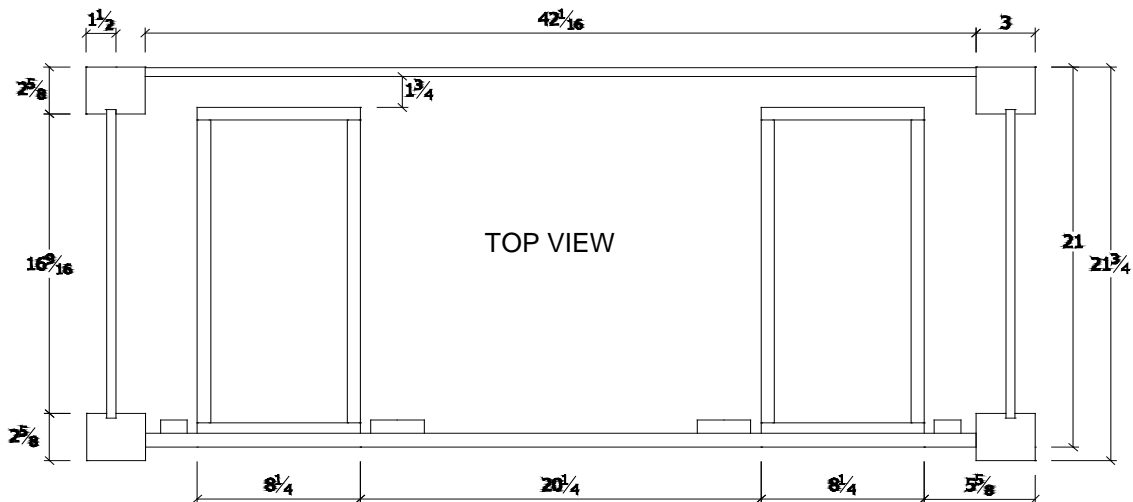
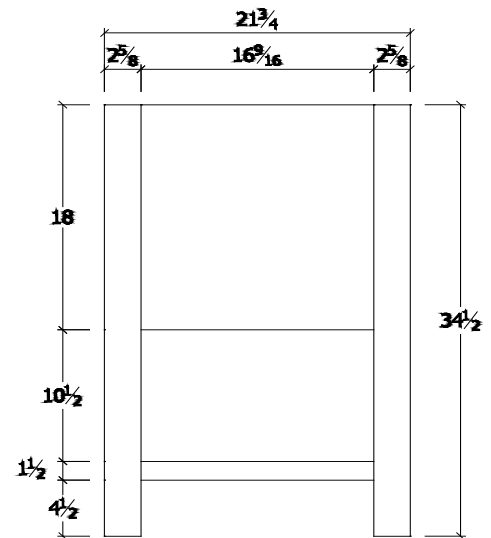
**VT-SV4821D**



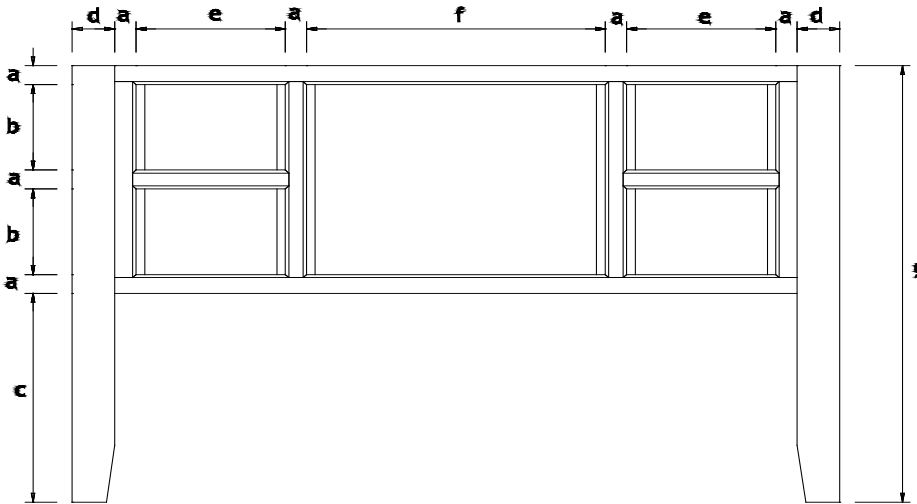
a	1 1/2"
b	6 3/4"
c	16 1/2"
d	3"
e	10 1/2"
f	15"
g	34 1/2"

- 1 Door / 4 Drawer Vanity
- Door Opening: 15"W x 15"H
- Drawer Inner Dimensions: 6 7/8"W x 16 3/4"D x 3 1/4"H
- Drawer Outer Dimensions: 8 1/4"W x 18 1/8"D x 4"H
- Door Size: 14 11/16" x 14 13/16"
- Drawer Head Size: 10 5/16" x 6 1/2"
- Cabinet Bottom Panel: 45 7/16"W x 20"D x 1/2"T
- Shelf: 42"W x 21"D

- \* Open shelf
- \* Inset doors
- \* Solid wood legs



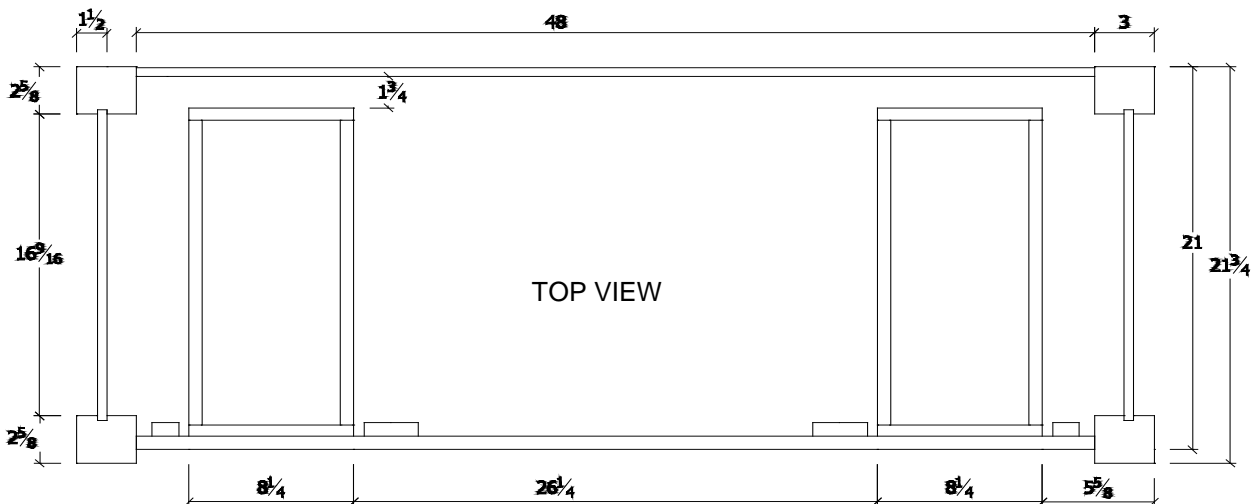
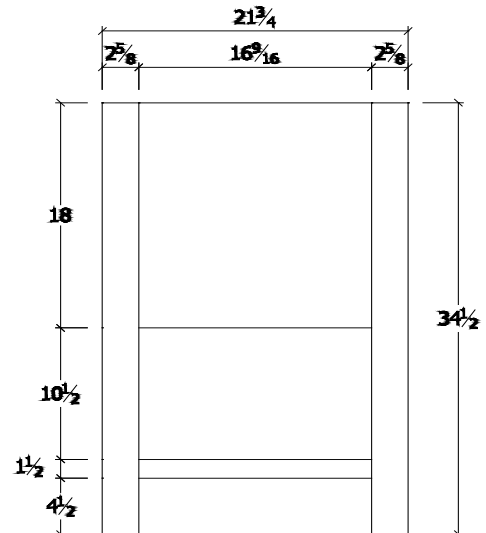
**VT-SV5421D**



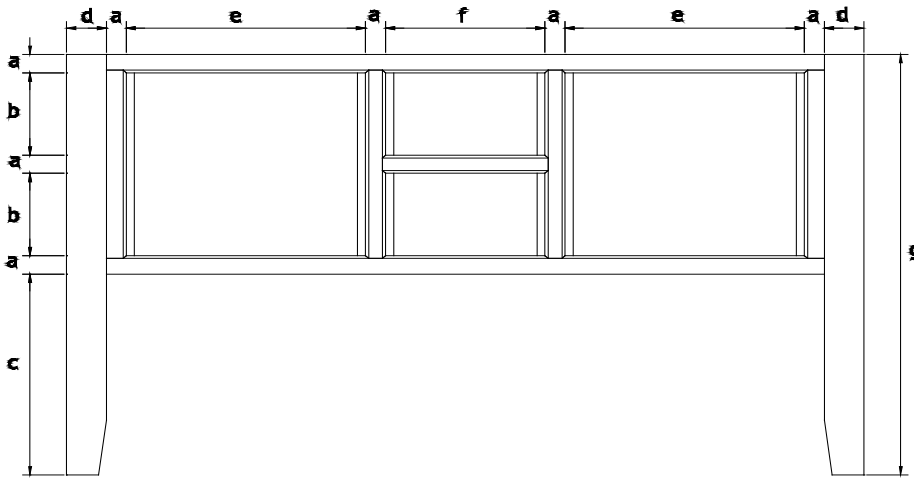
a	1 1/2"
b	6 3/4"
c	16 1/2"
d	3"
e	10 1/2"
f	21"
g	34 1/2"

- 2 Door / 4 Drawer Vanity
- Door Opening: 21"W x 15"H
- Drawer Inner Dimensions: 6 7/8"W x 16 3/4"D x 3 1/4"H
- Drawer Outer Dimensions: 8 1/4"W x 18 1/8"D x 4"H
- Door Size: 10 3/8" x 14 13/16"
- Drawer Head Size: 10 5/16" x 6 1/2"
- Cabinet Bottom Panel: 51 7/16"W x 20"D x 1/2"T
- Shelf: 48"W x 21"D

- \* Open shelf
- \* Inset doors
- \* Solid wood legs



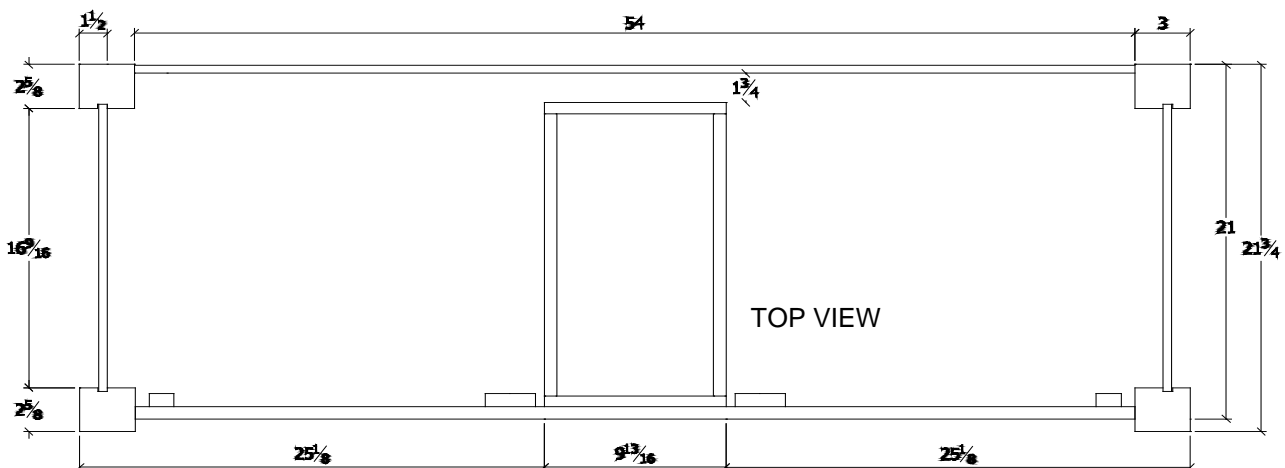
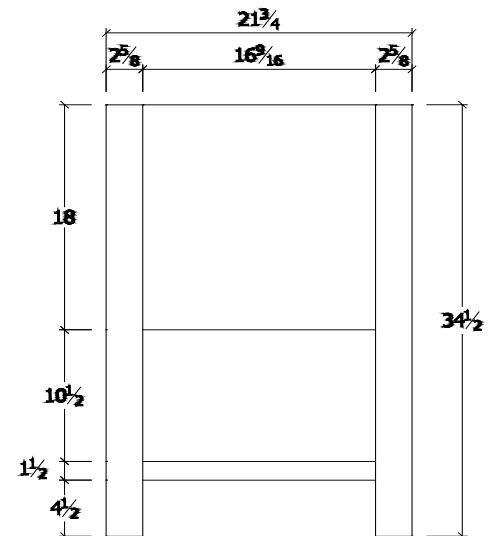
**VT-SV6021D**



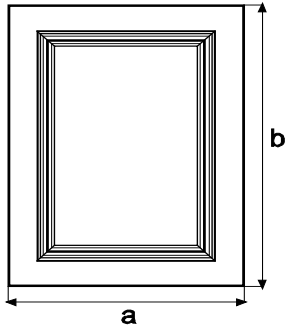
a	1 1/2"
b	6 3/4"
c	16 1/2"
d	3"
e	18"
f	12"
g	34 1/2"

- 2 Door / 2 Drawer Vanity
- Door Opening: 18"W x 15"H
- Drawer Inner Dimensions: 8 7/16"W x 16 3/4"D x 3 1/4"H
- Drawer Outer Dimensions: 9 13/16"W x 18 1/8"D x 4"H
- Door Size: 17 13/16" x 14 13/16"
- Drawer Head Size: 11 7/8" x 6 1/2"
- Cabinet Bottom Panel: 57 7/16"W x 20"D x 1/2"T
- Shelf: 54"W x 21"D

- \* Open shelf
- \* Inset doors
- \* Solid wood legs



### SD



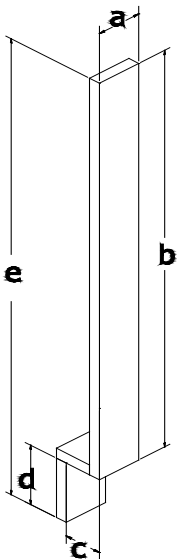
	VDW
a	13"
b	15 3/8"

- VD, VBS, VDC, VDL, VNS, VTS and VT sample doors are the same (and should be ordered) as KD-SD, KB-SD, KDC-SD, KDL-SD, KN-SD and KT-SD

### TUK

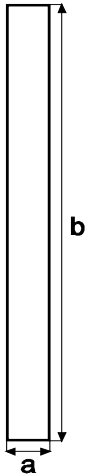
- Touch up kits contain a putty crayon, a stain marker and a blending pad
- Touch up kits are available in VDW, VC
- VD, VBS, VDC, VDL, VNS, VTS and VT touch up kits are the same (and should be ordered) as KD-TUK, KBS-TUK, KDC-TUK, KDL-TUK, KNS-TUK and KTS-TUK

### VBF3



	VD, VBS, VDC, VDL, VNS, VTS
a	3"
b	30"
c	2 1/2"
d	4 1/2"
e	34 1/2"

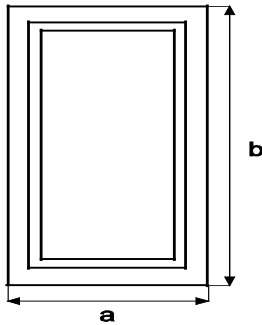
### TK8



<b>a</b>	4 1/2"
<b>b</b>	8"
<b>Thickness:</b>	1/2"

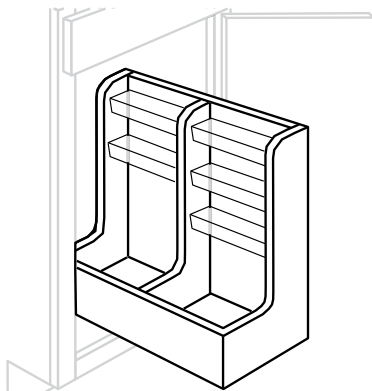
- VD, VBS, VDC, VDL, VNS and VTS toe kicks are the same (and should be ordered) as KD-TK8, KBS-TK8, KDC-TK8, KDL-TK8, KNS-TK8 and KTS-TK8
- VDW toe kick is the same (and should be ordered) as KD-TK8

### SVDEC



<b>a</b>	<b>b</b>
16 1/2"	18"

### SFTLVPULL



Width	Depth	Height
8 <sup>3</sup> / <sub>4</sub>	18 <sup>3</sup> / <sub>4</sub>	18 <sup>13</sup> / <sub>16</sub>

- Designed for 24" vanity sink base cabinets
- Fits all standard vanity with door(s)
- Mounts to cabinet floor
- Non-skid vinyl lining on lower level
- (6) acrylic bins for upper level
- Comes complete with Blumotion soft-close undermount slides
- Specify wich side to be installed
- Do not fit in VT Shelf vanity

## Vanity Door and Drawer Head Sizes

	VD, VBS, VDC, VDL, VNS, VTS		VDW	
<b>V2421</b>	11 <sup>11</sup> / <sub>16</sub>	22 <sup>1</sup> / <sub>4</sub> "		10 <sup>1</sup> / <sub>16</sub> 20 <sup>5</sup> / <sub>16</sub> "
<b>V3021</b>	14 <sup>11</sup> / <sub>16</sub>	22 <sup>1</sup> / <sub>4</sub> "		13 <sup>1</sup> / <sub>16</sub> 20 <sup>5</sup> / <sub>16</sub> "
<b>V3621</b>	17 <sup>1</sup> / <sub>2</sub>	22 <sup>1</sup> / <sub>4</sub> "		16 <sup>1</sup> / <sub>16</sub> 20 <sup>5</sup> / <sub>16</sub> "
<b>V4221</b>	20 <sup>1</sup> / <sub>2</sub>	22 <sup>1</sup> / <sub>4</sub> "		19 <sup>5</sup> / <sub>8</sub> 20 <sup>5</sup> / <sub>16</sub> "
<b>V3021D-L</b>	17 <sup>1</sup> / <sub>2</sub>	22 <sup>1</sup> / <sub>4</sub> "	11 <sup>1</sup> / <sub>2</sub> 11	16 <sup>5</sup> / <sub>8</sub> 20 <sup>5</sup> / <sub>16</sub> " 9 <sup>1</sup> / <sub>2</sub> 5 <sup>7</sup> / <sub>8</sub> "
<b>V3021D-R</b>	17 <sup>1</sup> / <sub>2</sub>	22 <sup>1</sup> / <sub>4</sub> "	11 <sup>1</sup> / <sub>2</sub> 11	16 <sup>5</sup> / <sub>8</sub> 20 <sup>5</sup> / <sub>16</sub> " 9 <sup>1</sup> / <sub>2</sub> 5 <sup>7</sup> / <sub>8</sub> "
<b>V3621D-L</b>	11 <sup>11</sup> / <sub>16</sub>	22 <sup>1</sup> / <sub>4</sub> "	11 <sup>1</sup> / <sub>2</sub> 11	10 <sup>5</sup> / <sub>8</sub> 20 <sup>5</sup> / <sub>16</sub> " 9 <sup>1</sup> / <sub>2</sub> 5 <sup>7</sup> / <sub>8</sub> "
<b>V3621D-R</b>	11 <sup>11</sup> / <sub>16</sub>	22 <sup>1</sup> / <sub>4</sub> "	11 <sup>1</sup> / <sub>2</sub> 11	10 <sup>5</sup> / <sub>8</sub> 20 <sup>5</sup> / <sub>16</sub> " 9 <sup>1</sup> / <sub>2</sub> 5 <sup>7</sup> / <sub>8</sub> "
<b>V4221D-L</b>	14 <sup>11</sup> / <sub>16</sub>	22 <sup>1</sup> / <sub>4</sub> "	11 <sup>1</sup> / <sub>2</sub> 11	13 <sup>5</sup> / <sub>8</sub> 20 <sup>5</sup> / <sub>16</sub> " 9 <sup>1</sup> / <sub>2</sub> 5 <sup>7</sup> / <sub>8</sub> "
<b>V4221D-R</b>	14 <sup>11</sup> / <sub>16</sub>	22 <sup>1</sup> / <sub>4</sub> "	11 <sup>1</sup> / <sub>2</sub> 11	13 <sup>5</sup> / <sub>8</sub> 20 <sup>5</sup> / <sub>16</sub> " 9 <sup>1</sup> / <sub>2</sub> 5 <sup>7</sup> / <sub>8</sub> "
<b>V4821D</b>	11 <sup>11</sup> / <sub>16</sub>	22 <sup>1</sup> / <sub>4</sub> "	11 <sup>1</sup> / <sub>2</sub> 11	11 <sup>7</sup> / <sub>32</sub> 20 <sup>5</sup> / <sub>16</sub> " 9 <sup>1</sup> / <sub>2</sub> 5 <sup>7</sup> / <sub>8</sub> "
<b>VDB1221 Small</b>			11 <sup>1</sup> / <sub>2</sub> 6 <sup>1</sup> / <sub>2</sub> "	9 <sup>7</sup> / <sub>16</sub> 5 <sup>7</sup> / <sub>8</sub> "
<b>VDB1221 Large</b>			11 <sup>1</sup> / <sub>2</sub> 11	9 <sup>7</sup> / <sub>16</sub> 5 <sup>7</sup> / <sub>8</sub> "
<b>VDB1521 Small</b>			14 <sup>1</sup> / <sub>2</sub> 6 <sup>1</sup> / <sub>2</sub> "	12 <sup>7</sup> / <sub>16</sub> 5 <sup>7</sup> / <sub>8</sub> "
<b>VDB1521 Large</b>			14 <sup>1</sup> / <sub>2</sub> 11	12 <sup>7</sup> / <sub>16</sub> 5 <sup>7</sup> / <sub>8</sub> "
<b>VDB1821 Small</b>			17 <sup>1</sup> / <sub>2</sub> 6 <sup>1</sup> / <sub>2</sub> "	15 <sup>7</sup> / <sub>16</sub> 5 <sup>7</sup> / <sub>8</sub> "
<b>VDB1821 Large</b>			17 <sup>1</sup> / <sub>2</sub> 11	15 <sup>7</sup> / <sub>16</sub> 5 <sup>7</sup> / <sub>8</sub> "
<b>VLC1884 Small</b>	17 <sup>1</sup> / <sub>2</sub>	28 <sup>3</sup> / <sub>4</sub> "		15 <sup>7</sup> / <sub>16</sub> 29 <sup>7</sup> / <sub>8</sub> "
<b>VLC1884 Large</b>	17 <sup>1</sup> / <sub>2</sub>	49 <sup>1</sup> / <sub>4</sub> "		15 <sup>7</sup> / <sub>16</sub> 45 <sup>13</sup> / <sub>16</sub> "

4

	Trenton Tapered Leg		Trenton Open Shelf	
<b>SV3621</b>			13 <sup>3</sup> / <sub>8</sub> 14 <sup>7</sup> / <sub>8</sub> "	
<b>SV4821D</b>			14 <sup>11</sup> / <sub>16</sub> 14 <sup>13</sup> / <sub>16</sub> "	10 <sup>5</sup> / <sub>16</sub> 6 <sup>1</sup> / <sub>2</sub> "
<b>SV5421D</b>			10 <sup>3</sup> / <sub>8</sub> 14 <sup>13</sup> / <sub>16</sub> "	10 <sup>5</sup> / <sub>16</sub> 6 <sup>1</sup> / <sub>2</sub> "
<b>SV6021D</b>			17 <sup>13</sup> / <sub>16</sub> 14 <sup>13</sup> / <sub>16</sub> "	11 <sup>7</sup> / <sub>8</sub> 6 <sup>1</sup> / <sub>2</sub> "
<b>SVDEC</b>			16 <sup>1</sup> / <sub>2</sub> 18	
<b>VDB1221</b>		11 <sup>1</sup> / <sub>2</sub> 7		
<b>VF2421</b>	11 <sup>11</sup> / <sub>16</sub>	29		
<b>VF3021</b>	14 <sup>11</sup> / <sub>16</sub>	29		
<b>VF3621</b>	17 <sup>11</sup> / <sub>16</sub>	29		



## Item Availability Chart

	<i>Bristol</i>	<i>Salem</i>	<i>Amsbury</i>	<i>Quincy</i>	<i>Plymouth</i>
AB24			✓	✓	✓
AW30			✓	✓	✓
AW36			✓	✓	✓
AW42			✓	✓	✓
APPULL	✓	✓	✓	✓	✓
B12	✓	✓	✓	✓	✓
B15	✓	✓	✓	✓	✓
B15RT	✓	✓	✓	✓	✓
B15SCRT			✓	✓	✓
B15SFTTR-DMK			✓	✓	✓
B18	✓	✓	✓	✓	✓
B18RT	✓	✓	✓	✓	✓
B18SCRT			✓	✓	✓
B18TR	✓	✓	✓	✓	✓
B18TR-DMK	✓	✓	✓	✓	✓
B18SFTTR-DMK			✓	✓	✓
B18CHGDR18			✓	✓	✓
B18TTCD18			✓	✓	✓
B21	✓	✓	✓	✓	✓
B21RT	✓	✓	✓	✓	✓
B21SCRT			✓	✓	✓
B24B	✓	✓	✓	✓	✓
B24BRT	✓	✓	✓	✓	✓
B24BSCRT			✓	✓	✓
B27B	✓	✓	✓	✓	✓
B27BRT	✓	✓	✓	✓	✓
B30B	✓	✓	✓	✓	✓
B30BRT	✓	✓	✓	✓	✓
B30BSCRT			✓	✓	✓
B33	✓	✓	✓	✓	✓
B36	✓	✓	✓	✓	✓
B36RT	✓	✓	✓	✓	✓
B36SCRT			✓	✓	✓
B42	✓	✓	✓	✓	✓
B42RT	✓	✓	✓	✓	✓
B42SCRT			✓	✓	✓
BBC36/39	✓	✓	✓	✓	✓

## Item Availability Chart

	<i>Bristol</i>	<i>Salem</i>	<i>Amsbury</i>	<i>Quincy</i>	<i>Plymouth</i>
BBC42/45	✓	✓	✓	✓	✓
BDEC			✓	✓	✓
BF09	✓	✓	✓	✓	✓
BF09PO	✓	✓	✓	✓	✓
BF09TRAYDIVPO			✓	✓	✓
BF3PULL	✓	✓	✓	✓	✓
BF3PULL-SFTCLOSE	✓	✓	✓	✓	✓
BF6PULL-SFTCLOSE	✓	✓	✓	✓	✓
BSKIN	✓	✓	✓	✓	✓
BTM8	✓	✓	✓	✓	✓
CB			✓	✓	✓
CSF36	✓	✓	✓	✓	✓
CUTTRAY	✓	✓	✓	✓	✓
CM8-T	✓	✓	✓	✓	✓
CM8-S	✓	✓	✓	✓	✓
CCM8			✓	✓	✓
CHGDR18			✓	✓	✓
DB12	✓	✓	✓	✓	✓
DB15	✓	✓	✓	✓	✓
DB18	✓	✓	✓	✓	✓
DB18CHGDR18			✓	✓	✓
DB18TTCD18			✓	✓	✓
DB21	✓	✓	✓	✓	✓
DB24	✓	✓	✓	✓	✓
DB30	✓	✓	✓	✓	✓
DB36	✓	✓	✓	✓	✓
DM4			✓	✓	✓
DWR3	✓	✓	✓	✓	✓
FBM8-T	✓	✓	✓	✓	✓
FBM8-S	✓	✓	✓	✓	✓
GLDPULL	✓	✓	✓	✓	✓
ICM8	✓	✓	✓	✓	✓
LCM8			✓	✓	✓
LRM8-T			✓	✓	✓
LRM8-S			✓	✓	✓
LS33			✓	✓	✓
LS36	✓	✓	✓	✓	✓

## Item Availability Chart

	Bristol	Salem	Amesbury	Quincy	Plymouth
LS36DR-BOTH			✓	✓	✓
LS36DR-TOP			✓	✓	✓
LS36DR-BOTTOM			✓	✓	✓
LSDR			✓	✓	✓
MB30			✓	✓	✓
MO3018			✓	✓	✓
OC3384			✓	✓	✓
OC3390			✓	✓	✓
OC3396			✓	✓	✓
COC3384			✓	✓	✓
DOC3384			✓	✓	✓
OM8	✓	✓	✓	✓	✓
PHLF	✓	✓	✓	✓	✓
PQTR	✓	✓	✓	✓	✓
PS39			✓	✓	✓
REF3096			✓	✓	✓
REF84 (1.5")	✓	✓	✓	✓	✓
REF96 (1.5")			✓	✓	✓
RM8			✓	✓	✓
SB24B*	✓	✓	✓	✓	✓
SB27B*	✓	✓	✓	✓	✓
SB30B	✓	✓	✓	✓	✓
SB30B-1TILT	✓	✓	✓	✓	✓
SB33	✓	✓	✓	✓	✓
SB33-2TILT	✓	✓	✓	✓	✓
SB36	✓	✓	✓	✓	✓
SB36-2TILT	✓	✓	✓	✓	✓
SB42	✓	✓	✓	✓	✓
SD	✓	✓	✓	✓	✓
SFTTRASHPO15			✓	✓	✓
SFTTRASHPO15			✓	✓	✓
SHM8	✓	✓	✓	✓	✓
SM8	✓	✓	✓	✓	✓
SPICETRAY			✓	✓	✓
TF396	✓	✓	✓	✓	✓
TF696	✓	✓	✓	✓	✓
TK8	✓	✓	✓	✓	✓

## Item Availability Chart

	<i>Bristol</i>	<i>Salem</i>	<i>Amsbury</i>	<i>Quincy</i>	<i>Plymouth</i>
TRAYDIV	✓	✓	✓	✓	✓
TRAYDIVPO			✓	✓	✓
TRASHPO18	✓	✓	✓	✓	✓
TRASHDMK	✓	✓	✓	✓	✓
TTCD18			✓	✓	✓
TUK	✓	✓	✓	✓	✓
VAL36	✓	✓	✓	✓	✓
VAL48	✓	✓	✓	✓	✓
W0930	✓	✓	✓	✓	✓
W0936			✓	✓	✓
W0942			✓	✓	✓
W1230	✓	✓	✓	✓	✓
W1236			✓	✓	✓
W1242			✓	✓	✓
W1530	✓	✓	✓	✓	✓
W1536			✓	✓	✓
W1542			✓	✓	✓
W1830	✓	✓	✓	✓	✓
W1836			✓	✓	✓
W1842			✓	✓	✓
W2130	✓	✓	✓	✓	✓
W2136			✓	✓	✓
W2142			✓	✓	✓
W2412B			✓	✓	✓
W2418B			✓	✓	✓
W2424B			✓	✓	✓
W2430B	✓	✓	✓	✓	✓
W2436B			✓	✓	✓
W2442B			✓	✓	✓
W2730B	✓	✓	✓	✓	✓
W2736B			✓	✓	✓
W2742B			✓	✓	✓
W3012B	✓	✓	✓	✓	✓
W3015B	✓	✓	✓	✓	✓
W3018B	✓	✓	✓	✓	✓
W3024B	✓	✓	✓	✓	✓
W3030B	✓	✓	✓	✓	✓
W3036B			✓	✓	✓

## Item Availability Chart

	Bristol	Salem	Ambsbury	Quincy	Plymouth
W3042B			✓	✓	✓
W3312			✓	✓	✓
W3315	✓	✓	✓	✓	✓
W3318	✓	✓	✓	✓	✓
W3324			✓	✓	✓
W3330	✓	✓	✓	✓	✓
W3336			✓	✓	✓
W3342			✓	✓	✓
W3612	✓	✓	✓	✓	✓
W361224			✓	✓	✓
W3615	✓	✓	✓	✓	✓
W361524			✓	✓	✓
W3618	✓	✓	✓	✓	✓
W361824			✓	✓	✓
W361824APPULL			✓	✓	✓
W3624	✓	✓	✓	✓	✓
W362424			✓	✓	✓
W362424APPULL	✓	✓	✓	✓	✓
W3630	✓	✓	✓	✓	✓
W3636			✓	✓	✓
W3642			✓	✓	✓
W4230	✓	✓	✓	✓	✓
W4236			✓	✓	✓
W4242			✓	✓	✓
W42SKIN	✓	✓	✓	✓	✓
WBC2730	✓	✓	✓	✓	✓
WBC2736			✓	✓	✓
WBC2742			✓	✓	✓
WDC2430	✓	✓	✓	✓	✓
WDC2436			✓	✓	✓
WDC2442			✓	✓	✓
WDEC30			✓	✓	✓
WDEC36			✓	✓	✓
WDEC42			✓	✓	✓
WF330	✓	✓	✓	✓	✓
WF330PULL-SFTCLOSE			✓	✓	✓
WF336			✓	✓	✓
WF336PULL-SFTCLOSE			✓	✓	✓

## Item Availability Chart

	Bristol	Salem	Amsbury	Quincy	Plymouth
WF342			✓	✓	✓
WF342PULL-SFTCLOSE			✓	✓	✓
WF3PULL	✓	✓	✓	✓	✓
WF630	✓	✓	✓	✓	✓
WF630PULL-SFTCLOSE			✓	✓	✓
WF636			✓	✓	✓
WF636PULL-SFTCLOSE			✓	✓	✓
WF642			✓	✓	✓
WF642PULL-SFTCLOSE			✓	✓	✓
WR1818			✓	✓	✓
WP1884	✓	✓	✓	✓	✓
WP1884RT	✓	✓	✓	✓	✓
WP1884SCRT			✓	✓	✓
WP1890			✓	✓	✓
WP1890RT			✓	✓	✓
WP1890SCRT			✓	✓	✓
WP1896			✓	✓	✓
WP1896RT			✓	✓	✓
WP1896SCRT			✓	✓	✓
WP2484B	✓	✓	✓	✓	✓
WP2484BRT	✓	✓	✓	✓	✓
WP2484BSCRT			✓	✓	✓
WP2490B			✓	✓	✓
WP2490BRT			✓	✓	✓
WP2490BSCRT			✓	✓	✓
WP2496B			✓	✓	✓
WP2496BRT			✓	✓	✓
WP2496BSCRT			✓	✓	✓
WP3084B			✓	✓	✓
WP3084BRT			✓	✓	✓
WP3084BSCRT			✓	✓	✓
WP3090B			✓	✓	✓
WP3090BRT			✓	✓	✓
WP3090BSCRT			✓	✓	✓
WP3096B			✓	✓	✓
WP3096BRT			✓	✓	✓
WP3096BSCRT			✓	✓	✓
UTLTRAY			✓	✓	✓

# **Premier & Craftsman Kitchens**

## Bristol Kitchen

### General Specifications:

- Material: Solid maple frame and door stiles, plywood cabinet box
- Stain: Cherry or Brown
- Interior: Natural Maple finish
- Small drawer head design: One piece (Slab)
- Large drawer head design: 5 piece
- Door design: Standard (1/2") overlay
- Door & large drawer panel: Veneered MDF recessed, square on both wall and base cabinets
- Door reversibility: Doors on all single door cabinets can be reversed

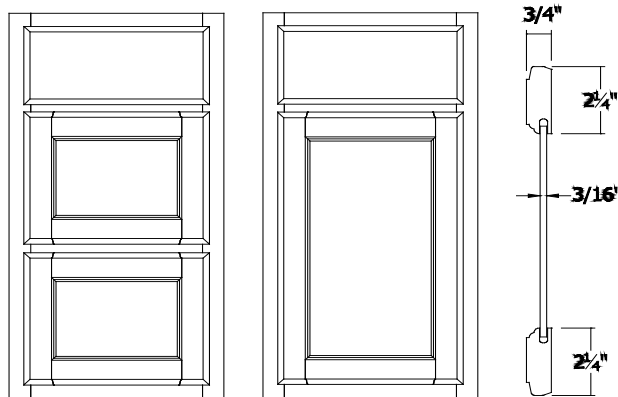
### Cabinet Specifications:

- Face frame: 3/4" x 1 1/2" Mortise & Tenon
- Side panels: 1/2" plywood with wood veneer on both sides
- Back panel: 1/2" plywood with wood veneer on the inside
- Wall tops and bottoms: 1/2" plywood with wood veneer on both sides
- Toe kick: 1/2" x 4 1/2" Unfinished plywood, recessed
- Hinge: Concealed cup hinge with a 105 degree opening and 3-dimensional adjustment (side, depth and height adjustment)
- Shelves: 5/8" thick plywood with wood veneer, edge banded front
- Shelf clips: 8 mm bore steel shelf support
- Door Bumpers: Clear Quietex bumpers
- Base cabinet height: 34 1/2"
- Base cabinet depth: 24"
- Wall cabinet depth: 12"

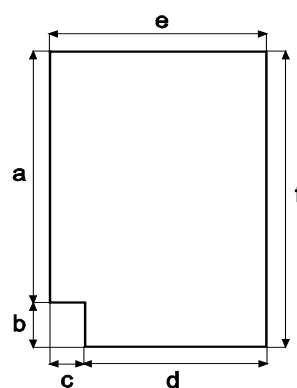
### Drawer Construction:

- Drawer design: Rabbet joint drawer
- Drawer sides: 5/8" plywood with wood veneer on both sides
- Drawer bottom: 1/4" plywood with wood veneer
- Drawer glides: 3/4" extension, side mount, epoxy-coated drawer glides

### Door Design:



### Base Side Panel Dimensions:



a	30"
b	4 1/2"
c	2 3/8"
d	21"
e	23 3/8"
f	34 1/2"



## Salem Kitchen

### General Specifications:

- Material: Solid maple frame and door stiles, plywood cabinet box
- Stain: Cherry or Brown
- Interior: Natural Maple finish
- Small drawer head design: One piece (Slab)
- Large drawer head design: 5 piece
- Door design: Standard ( $\frac{1}{2}$ " ) overlay
- Door & large drawer panel: Veneered MDF recessed, square on both wall and base cabinets
- Door reversibility: Doors on all single door cabinets can be reversed

### Cabinet Specifications:

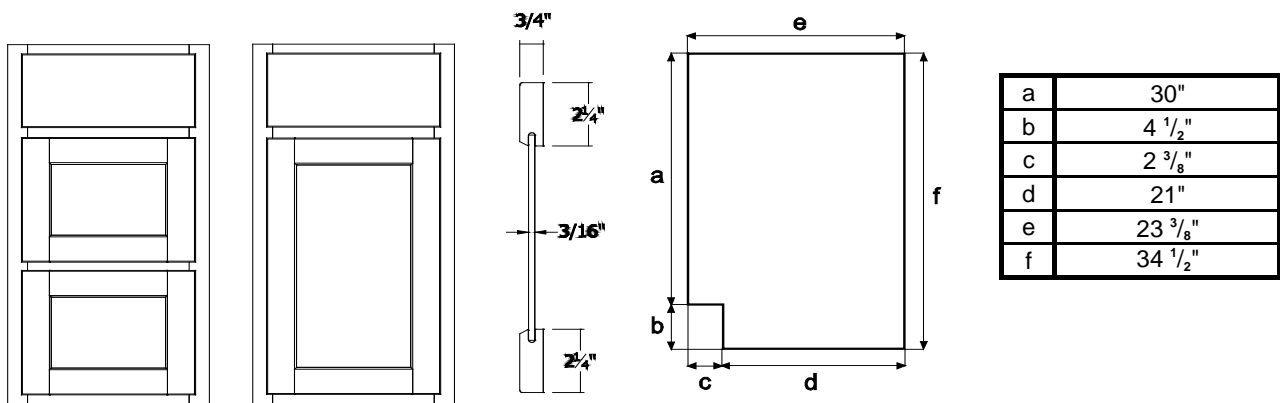
- Face frame:  $\frac{3}{4}$ " x  $1\frac{1}{2}$ " Mortise & Tenon
- Side panels:  $\frac{1}{2}$ " plywood with wood veneer on both sides
- Back panel:  $\frac{1}{2}$ " plywood with wood veneer on the inside
- Wall tops and bottoms:  $\frac{1}{2}$ " plywood with wood veneer on both sides
- Toe kick:  $\frac{1}{2}$ " x  $4\frac{1}{2}$ " Unfinished plywood, recessed
- Hinge: Concealed cup hinge with a 105 degree opening and 3-dimensional adjustment (side, depth and height adjustment)
- Shelves:  $\frac{5}{8}$ " thick plywood with Poplar wood veneer, edge banded front
- Shelf clips: 8 mm bore steel shelf support
- Door Bumpers: Clear Quietex bumpers
- Base cabinet height:  $34\frac{1}{2}$ "
- Base cabinet depth: 24"
- Wall cabinet depth: 12"

### Drawer Construction:

- Drawer design: Rabbet joint drawer
- Drawer sides:  $\frac{5}{8}$ " plywood with wood veneer on both sides
- Drawer bottom:  $\frac{1}{4}$ " plywood with wood veneer
- Drawer glides:  $\frac{3}{4}$ " extension, side mount, epoxy-coated drawer glides

### Door Design:

### Base Side Panel Dimensions:



## Amesbury Kitchen

### General Specifications:

- Material: Solid maple frame and door stiles, plywood cabinet box
- Stain: Espresso, Cherry, Brown, Mist, White
- Interior: Natural Maple finish
- Small drawer head design: One piece (Slab)
- Large drawer head design: 5 piece
- Door design: Full Overlay (1 1/4") overlay
- Door & large drawer panel: Veneered MDF recessed, square on both wall and base cabinets
- Door reversibility: Doors on all single door cabinets can be reversed

### Cabinet Specifications:

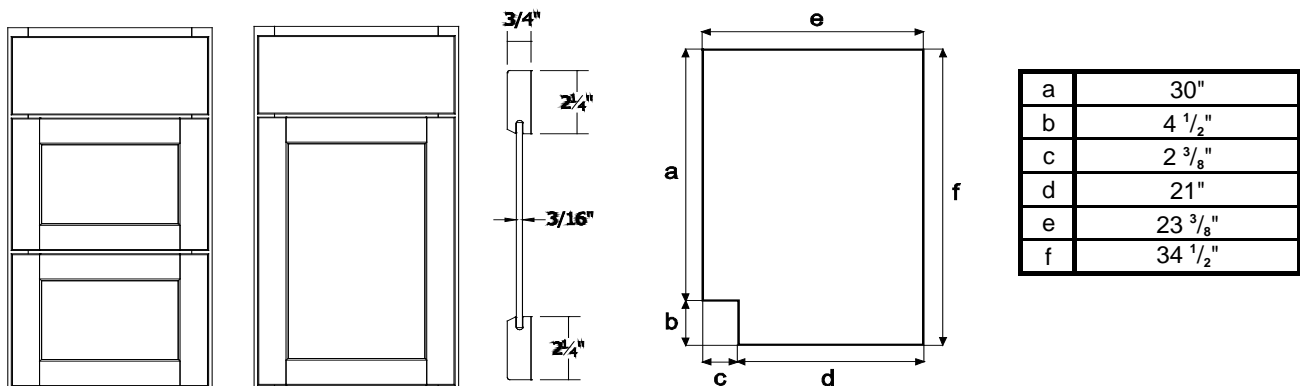
- Face frame: 3/4" x 1 1/2" Mortise & Tenon
- Side panels: 1/2" plywood with wood veneer on both sides
- Back panel: 1/2" plywood with wood veneer on the inside
- Wall tops and bottoms: 1/2" plywood with wood veneer on both sides
- Toe kick: 1/2" x 4 1/2" Unfinished plywood, recessed
- Hinge: Soft closing concealed cup hinge with a 105 degree opening and 3-dimensional adjustment (side, depth and height adjustment)
- Shelves: 5/8" thick plywood with Poplar wood veneer, edge banded front
- Shelf clips: 8 mm bore steel shelf support
- Door Bumpers: Clear Quietex bumpers
- Base cabinet height: 34 1/2"
- Base cabinet depth: 24"
- Wall cabinet depth: 12"

### Drawer Construction:

- Drawer design: Dovetail drawer
- Drawer sides: 3/4" solid wood
- Drawer bottom: 3/8" plywood with wood veneer
- Drawer glides: Steel undermount, full extension, soft-closing glides with clips

### Door Design:

### Base Side Panel Dimensions:



## Quincy Kitchen

### General Specifications:

- Material: Solid maple frame and door stiles, plywood cabinet box
- Stain: Espresso, Cherry, Brown
- Interior: Natural Maple finish
- Small drawer head design: 5 piece
- Large drawer head design: 5 piece
- Door design: Full Overlay (1 1/4") overlay
- Door & drawer panel: Veneered MDF recessed, square on both wall and base cabinets
- Door reversibility: Doors on all single door cabinets can be reversed

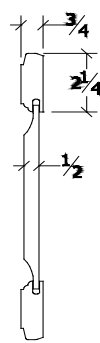
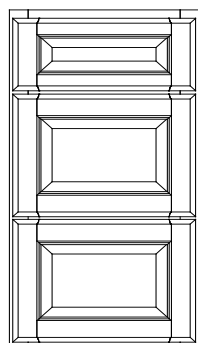
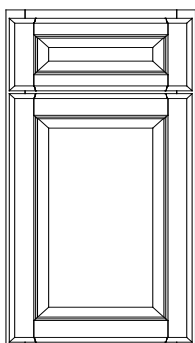
### Cabinet Specifications:

- Face frame: 3/4" x 1 1/2" Mortise & Tenon
- Side panels: 1/2" plywood with wood veneer on both sides
- Back panel: 1/2" plywood with wood veneer on the inside
- Wall tops and bottoms: 1/2" plywood with wood veneer on both sides
- Toe kick: 1/2" x 4 1/2" Unfinished plywood, recessed
- Hinge: Soft closing concealed cup hinge with a 105 degree opening and 3-dimensional adjustment (side, depth and height adjustment)
- Shelves: 5/8" thick plywood with Poplar wood veneer, edge banded front
- Shelf clips: 8 mm bore steel shelf support
- Door Bumpers: Clear Quietex bumpers
- Base cabinet height: 34 1/2"
- Base cabinet depth: 24"
- Wall cabinet depth: 12"

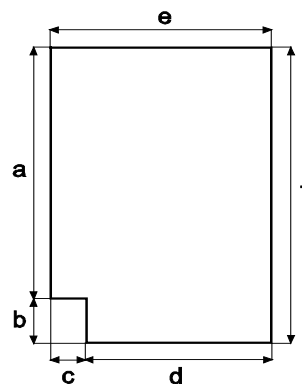
### Drawer Construction:

- Drawer design: Dovetail drawer
- Drawer sides: 3/4" solid wood
- Drawer bottom: 3/8" plywood with wood veneer
- Drawer glides: Steel undermount, full extension, soft-closing glides with clips

### Door Design:



### Base Side Panel Dimensions:



a	30"
b	4 1/2"
c	2 3/8"
d	21"
e	23 3/8"
f	34 1/2"

## Plymouth Kitchen

### General Specifications:

- Material: Solid maple frame and door stiles, plywood cabinet box
- Stain: White
- Interior: Natural Maple finish
- Small drawer head design: One piece (Slab)
- Large drawer head design: 5 piece
- Door design: Full Overlay (1 1/4") overlay
- Door & large drawer panel: MDF recessed, square on both wall and base cabinets
- Door reversibility: Doors on all single door cabinets can be reversed

### Cabinet Specifications:

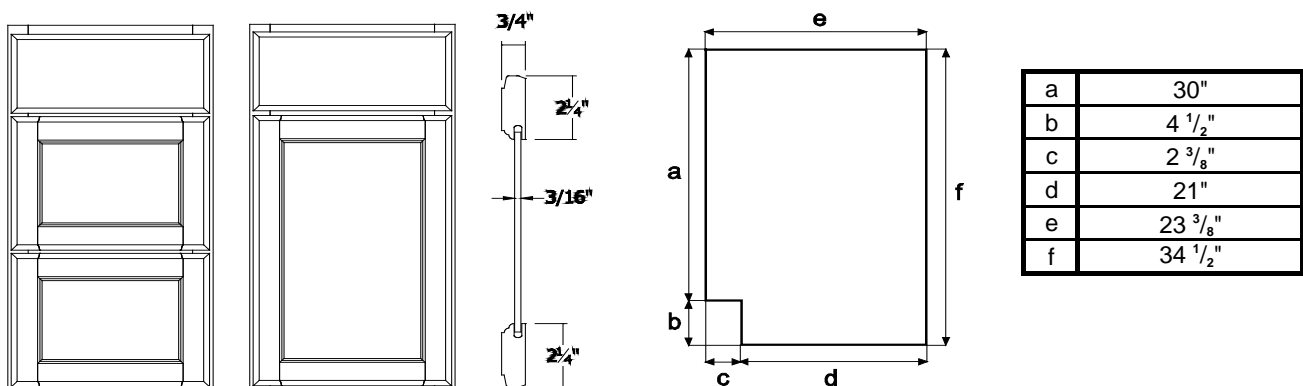
- Face frame: 3/4" x 1 1/2" Mortise & Tenon
- Side panels: 1/2" plywood with wood veneer on both sides
- Back panel: 1/2" plywood with wood veneer on the inside
- Wall tops and bottoms: 1/2" plywood with wood veneer on both sides
- Toe kick: 1/2" x 4 1/2" Unfinished plywood, recessed
- Hinge: Soft closing concealed cup hinge with a 105 degree opening and 3-dimensional adjustment (side, depth and height adjustment)
- Shelves: 5/8" thick plywood with Poplar wood veneer, edge banded front
- Shelf clips: 8 mm bore steel shelf support
- Door Bumpers: Clear Quietex bumpers
- Base cabinet height: 34 1/2"
- Base cabinet depth: 24"
- Wall cabinet depth: 12"

### Drawer Construction:

- Drawer design: Dovetail drawer
- Drawer sides: 3/4" solid wood
- Drawer bottom: 3/8" plywood with wood veneer
- Drawer glides: Steel undermount, full extension, soft-closing glides with clips

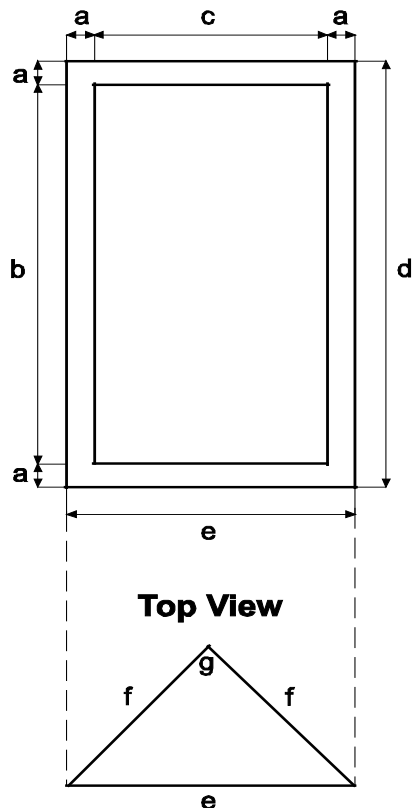
### Door Design:

### Base Side Panel Dimensions:



## AW30 / AW36 / AW42

### Face Frame Specifications



	Amesbury/ Quincy/ Plymouth	Bristol/ Salem	
<b>ALL SIZES</b>	a	1 1/2"	N / A
	c	14"	N / A
	e	17"	N / A
	f	12"	N / A
	g	90 °	N / A
<b>AW30</b>	b	27"	N / A
	d	30"	N / A
<b>AW36</b>	b	33"	N / A
	d	36"	N / A
<b>AW42</b>	b	39"	N / A
	d	42"	N / A

### Parts Specifications

#### ALL SIZES

	Amesbury/ Quincy/ Plymouth	Bristol/ Salem/ Feirfield
Shelf Count	2	N/A
Shelf Dimensions	13 3/4" W x 6 15/16" D	N/A

#### AW30

Door Size	16 1/2"W x 28 3/4"H	N/A
-----------	---------------------	-----

#### AW36

Door Size	16 1/2"W x 34 3/4"H	N/A
-----------	---------------------	-----

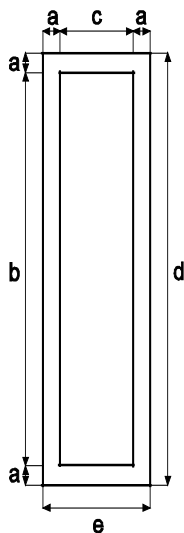
#### AW42

Door Size	16 1/2"W x 40 3/4"H	N/A
-----------	---------------------	-----

- Comes already assembled
- Shelves are fixed, not adjustable

## W0930 / W0936 / W0942

### Face Frame Specifications



	Amesbury/ Quincy/ Plymouth	Bristol/ Salem
<b>ALL SIZES</b>	a	1 1/2"
	c	6"
	e	9"
<b>W0930</b>	b	27"
	d	30"
<b>W0936</b>	b	33"
	d	36"
<b>W0942</b>	b	39"
	d	42"

### Parts Specifications

#### ALL SIZES

	Amesbury/ Quincy/ Plymouth	Bristol/ Salem
Bottom and Top Panel	7 13/16"W x 10 13/16"D	7 13/16"W x 10 13/16"D
Shelf Dimensions	7 5/16"W x 10 7/16"H	7 5/16"W x 10 7/16"H

#### W0930

Door Size	8 1/2"W x 28 3/4"H	7"W x 28"H
Back Panel	7 7/8"W x 30"H	7 7/8"W x 30"H
Shelf Count	2	2
Cabinet Inner Dimensions	7 1/2"W x 27 3/8"H x 10 11/16"D	7 1/2"W x 27 3/8"H x 10 11/16"D

#### W0936

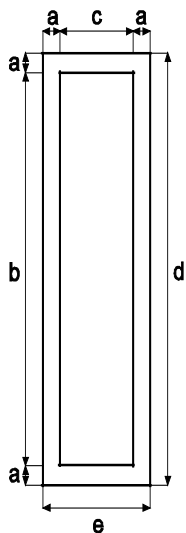
Door Size	8 1/2"W x 34 3/4"H	N/A
Back Panel	7 7/8"W x 36"H	N/A
Shelf Count	2	N/A
Cabinet Inner Dimensions	7 1/2"W x 33 3/8"H x 10 11/16"D	N/A

#### W0942

Door Size	8 1/2"W x 40 3/4"H	N/A
Back Panel	7 7/8"W x 42"H	N/A
Shelf Count	3	N/A
Cabinet Inner Dimensions	7 1/2"W x 39 3/8"H x 10 11/16"D	N/A

## W1230 / W1236 / W1242

### Face Frame Specifications



	Amesbury/ Quincy/ Plymouth	Bristol/ Salem
<b>ALL SIZES</b>	a	1 1/2"
	c	9"
	e	12"
<b>W1230</b>	b	27"
	d	30"
<b>W1236</b>	b	33"
	d	36"
<b>W1242</b>	b	39"
	d	42"

### Parts Specifications

#### ALL SIZES

	Amesbury/ Quincy/ Plymouth	Bristol/ Salem
Bottom and Top Panel	10 13/16"W x 10 13/16"D	10 13/16"W x 10 13/16"D
Shelf Dimensions	10 5/16"W x 10 7/16"H	10 5/16"W x 10 7/16"H

#### W1230

Door Size	11 1/2"W x 28 3/4"H	10"W x 28"H
Back Panel	10 7/8"W x 30"H	10 7/8"W x 30"H
Shelf Count	2	2
Cabinet Inner Dimensions	10 1/2"W x 27 3/8"H x 10 11/16"D	10 1/2"W x 27 3/8"H x 10 11/16"D

#### W1236

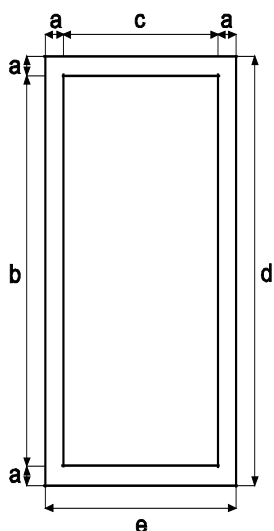
Door Size	11 1/2"W x 34 3/4"H	N/A
Back Panel	10 7/8"W x 36"H	N/A
Shelf Count	2	N/A
Cabinet Inner Dimensions	10 1/2"W x 33 3/8"H x 10 11/16"D	N/A

#### W1242

Door Size	11 1/2"W x 40 3/4"H	N/A
Back Panel	10 7/8"W x 42"H	N/A
Shelf Count	3	N/A
Cabinet Inner Dimensions	10 1/2"W x 39 3/8"H x 10 11/16"D	N/A

## W1530 / W1536 / W1542

### Face Frame Specifications



		Amesbury/ Quincy/ Plymouth	Bristol/ Salem
<b>ALL SIZES</b>	a	1 1/2"	1 1/2"
	c	12"	12"
	e	15"	15"
<b>W1530</b>	b	27"	27"
	d	30"	30"
<b>W1536</b>	b	33"	N/A
	d	36"	N/A
<b>W1542</b>	b	39"	N/A
	d	42"	N/A

### Parts Specifications

#### ALL SIZES

	Amesbury/ Quincy/ Plymouth	Bristol/ Salem
Bottom and Top Panel	13 13/16"W x 10 13/16"D	13 13/16"W x 10 13/16"D
Shelf Dimensions	13 5/16"W x 10 7/16"H	13 5/16"W x 10 7/16"H

#### W1530

Door Size	14 1/2"W x 28 3/4"H	13"W x 28"H
Back Panel	13 7/8"W x 30"H	13 7/8"W x 30"H
Shelf Count	2	2
Cabinet Inner Dimensions	13 1/2"W x 27 3/8"H x 10 11/16"D	13 1/2"W x 27 3/8"H x 10 11/16"D

#### W1536

Door Size	14 1/2"W x 34 3/4"H	N/A
Back Panel	13 7/8"W x 36"H	N/A
Shelf Count	2	N/A
Cabinet Inner Dimensions	13 1/2"W x 33 3/8"H x 10 11/16"D	N/A

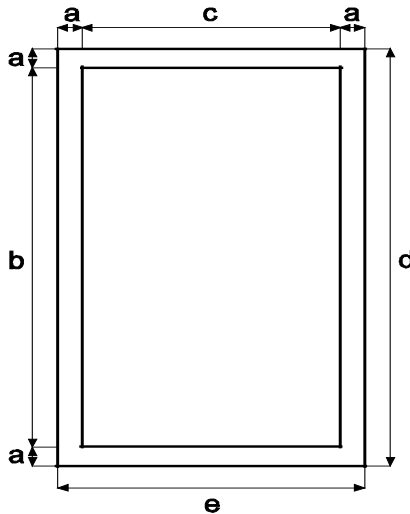
#### W1542

Door Size	14 1/2"W x 40 3/4"H	N/A
Back Panel	13 7/8"W x 42"H	N/A
Shelf Count	3	N/A
Cabinet Inner Dimensions	13 1/2"W x 39 3/8"H x 10 11/16"D	N/A



## W1830 / W1836 / W1842

### Face Frame Specifications



	Amesbury/ Quincy/ Plymouth	Bristol/ Salem	
<b>ALL SIZES</b>	a	1 1/2"	1 1/2"
	c	15"	15"
	e	18"	18"
<b>W1830</b>	b	27"	27"
	d	30"	30"
<b>W1836</b>	b	33"	N/A
	d	36"	N/A
<b>W1842</b>	b	39"	N/A
	d	42"	N/A

### Parts Specifications

#### ALL SIZES

	Amesbury/ Quincy/ Plymouth	Bristol/ Salem
Bottom and Top Panel	16 13/16"W x 10 13/16"D	16 13/16"W x 10 13/16"D
Shelf Dimensions	16 5/16"W x 10 7/16"H	16 5/16"W x 10 7/16"H

#### W1830

Door Size	17 1/2"W x 28 3/4"H	16"W x 28"H
Back Panel	16 7/8"W x 30"H	16 7/8"W x 30"H
Shelf Count	2	2
Cabinet Inner Dimensions	16 1/2"W x 27 3/8"H x 10 11/16"D	16 1/2"W x 27 3/8"H x 10 11/16"D

#### W1836

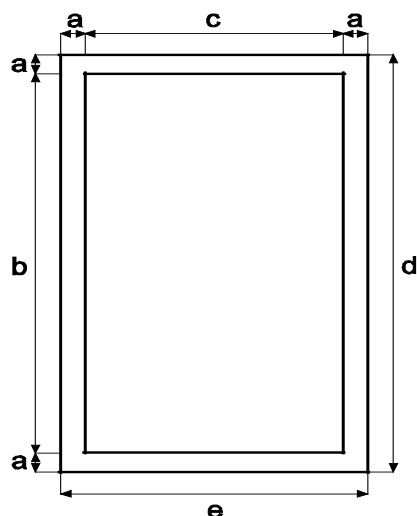
Door Size	17 1/2"W x 34 3/4"H	N/A
Back Panel	16 7/8"W x 36"H	N/A
Shelf Count	2	N/A
Cabinet Inner Dimensions	16 1/2"W x 33 3/8"H x 10 11/16"D	N/A

#### W1842

Door Size	17 1/2"W x 40 3/4"H	N/A
Back Panel	16 7/8"W x 42"H	N/A
Shelf Count	3	N/A
Cabinet Inner Dimensions	16 1/2"W x 39 3/8"H x 10 11/16"D	N/A

## W2130 / W2136 / W2142

### Face Frame Specifications



	Amesbury/ Quincy/ Plymouth	Bristol/ Salem	
<b>ALL SIZES</b>	a	1 1/2"	1 1/2"
	c	18"	18"
	e	21"	21"
<b>W2130</b>	b	27"	27"
	d	30"	30"
<b>W2136</b>	b	33"	N/A
	d	36"	N/A
<b>W2142</b>	b	39"	N/A
	d	42"	N/A

### Parts Specifications

#### ALL SIZES

	Amesbury/ Quincy/ Plymouth	Bristol/ Salem
Bottom and Top Panel	19 13/16"W x 10 13/16"D	19 13/16"W x 10 13/16"D
Shelf Dimensions	19 5/16"W x 10 7/16"H	19 5/16"W x 10 7/16"H

#### W2130

Door Size	20 1/2"W x 28 3/4"H	19"W x 28"H
Back Panel	19 7/8"W x 30"H	19 7/8"W x 30"H
Shelf Count	2	2
Cabinet Inner Dimensions	19 1/2"W x 27 3/8"H x 10 11/16"D	19 1/2"W x 27 3/8"H x 10 11/16"D

#### W2136

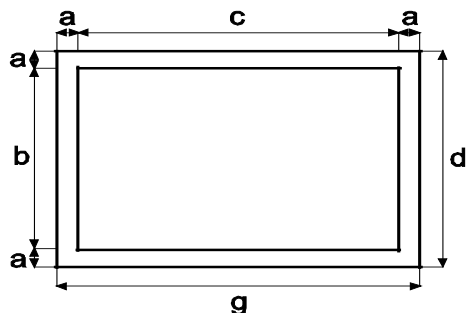
Door Size	20 1/2"W x 34 3/4"H	N/A
Back Panel	19 7/8"W x 36"H	N/A
Shelf Count	2	N/A
Cabinet Inner Dimensions	19 1/2"W x 33 3/8"H x 10 11/16"D	N/A

#### W2142

Door Size	20 1/2"W x 40 3/4"H	N/A
Back Panel	19 7/8"W x 42"H	N/A
Shelf Count	3	N/A
Cabinet Inner Dimensions	19 1/2"W x 39 3/8"H x 10 11/16"D	N/A

## W2412B / W2418B / W2424B

### Face Frame Specifications



		Amesbury/ Quincy/ Plymouth	Bristol/ Salem
<b>ALL SIZES</b>	a	1 1/2"	N/A
	c	21"	N/A
	g	24"	N/A
<b>W2412B</b>	b	9"	N/A
	d	12"	N/A
<b>W2418B</b>	b	15"	N/A
	d	18"	N/A
<b>W2424B</b>	b	21"	N/A
	d	24"	N/A

### Parts Specifications

#### ALL SIZES

	Amesbury/ Quincy/ Plymouth	Bristol/ Salem
Bottom and Top Panel	22 13/16"W x 10 13/16"D	N/A
Shelf Dimensions	22 5/16"W x 10 7/16"H	N/A

#### W2412B

Door Size	11 11/16"W x 10 3/4"H	N/A
Back Panel	22 7/8"W x 12"H	N/A
Shelf Count	0	N/A
Cabinet Inner Dimensions	22 1/2"W x 9 3/8"H x 10 11/16"D	N/A

#### W2418B

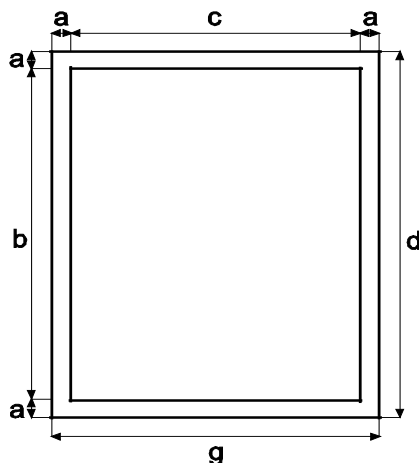
Door Size	11 11/16"W x 16 3/4"H	N/A
Back Panel	22 7/8"W x 18"H	N/A
Shelf Count	0	N/A
Cabinet Inner Dimensions	22 1/2"W x 15 3/8"H x 10 11/16"D	N/A

#### W2424B

Door Size	11 11/16"W x 22 3/4"H	N/A
Back Panel	22 7/8"W x 24"H	N/A
Shelf Count	1	N/A
Cabinet Inner Dimensions	22 1/2"W x 21 3/8"H x 10 11/16"D	N/A

## W2430B / W2436B / W2442B

### Face Frame Specifications



		Amesbury/ Quincy/ Plymouth	Bristol/ Salem
<b>ALL SIZES</b>	a	1 1/2"	1 1/2"
	c	21"	21"
	g	24"	24"
<b>W2430B</b>	b	27"	27"
	d	30"	30"
<b>W2436B</b>	b	33"	N/A
	d	36"	N/A
<b>W2442B</b>	b	39"	N/A
	d	42"	N/A

### Parts Specifications

#### ALL SIZES

	Amesbury/ Quincy/ Plymouth	Bristol/ Salem
Bottom and Top Panel	22 13/16"W x 10 13/16"D	22 13/16"W x 10 13/16"D
Shelf Dimensions	22 5/16"W x 10 7/16"H	22 5/16"W x 10 7/16"H

#### W2430B

Door Size	11 11/16"W x 28 3/4"H	10 15/16"W x 28"H
Back Panel	22 7/8"W x 30"H	22 7/8"W x 30"H
Shelf Count	2	2
Cabinet Inner Dimensions	22 1/2"W x 27 3/8"H x 10 11/16"D	22 1/2"W x 27 3/8"H x 10 11/16"D

#### W2436B

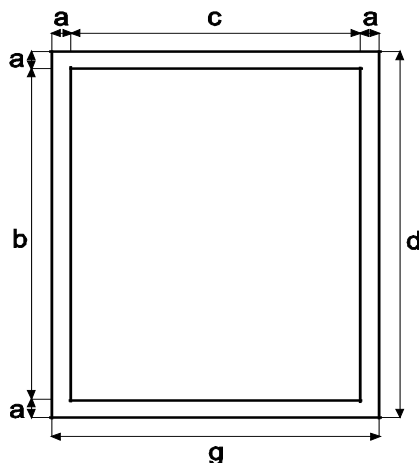
Door Size	11 11/16"W x 34 3/4"H	N/A
Back Panel	22 7/8"W x 36"H	N/A
Shelf Count	2	N/A
Cabinet Inner Dimensions	22 1/2"W x 33 3/8"H x 10 11/16"D	N/A

#### W2442B

Door Size	11 11/16"W x 40 3/4"H	N/A
Back Panel	22 7/8"W x 42"H	N/A
Shelf Count	3	N/A
Cabinet Inner Dimensions	22 1/2"W x 39 3/8"H x 10 11/16"D	N/A

## W2730B / W2736B / W2742B

### Face Frame Specifications



		Amesbury/ Quincy/ Plymouth	Bristol/ Salem
<b>ALL SIZES</b>	a	1 1/2"	1 1/2"
	c	24"	24"
	g	27"	27"
<b>W2730B</b>	b	27"	27"
	d	30"	30"
<b>W2736B</b>	b	33"	N/A
	d	36"	N/A
<b>W2742B</b>	b	39"	N/A
	d	42"	N/A

### Parts Specifications

#### ALL SIZES

	Amesbury/ Quincy/ Plymouth	Bristol/ Salem
Bottom and Top Panel	25 13/16"W x 10 13/16"D	25 13/16"W x 10 13/16"D
Shelf Dimensions	25 5/16"W x 10 7/16"H	25 5/16"W x 10 7/16"H

#### W2730B

Door Size	13 3/16"W x 28 3/4"H	12 7/16"W x 28"H
Back Panel	25 7/8"W x 30"H	25 7/8"W x 30"H
Shelf Count	2	2
Cabinet Inner Dimensions	25 1/2"W x 27 3/8"H x 10 11/16"D	25 1/2"W x 27 3/8"H x 10 11/16"D

#### W2736B

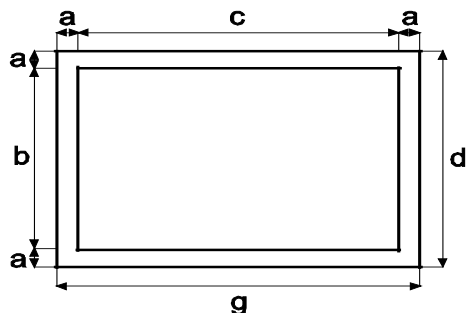
Door Size	13 3/16"W x 34 3/4"H	N/A
Back Panel	25 7/8"W x 36"H	N/A
Shelf Count	2	N/A
Cabinet Inner Dimensions	25 1/2"W x 33 3/8"H x 10 11/16"D	N/A

#### W2742B

Door Size	13 3/16"W x 40 3/4"H	N/A
Back Panel	25 7/8"W x 42"H	N/A
Shelf Count	3	N/A
Cabinet Inner Dimensions	25 1/2"W x 39 3/8"H x 10 11/16"D	N/A

## W3012B / W3015B / W3018B

### Face Frame Specifications



		Amesbury/ Quincy/ Plymouth	Bristol/ Salem
<b>ALL SIZES</b>	a	1 1/2"	1 1/2"
	c	21"	21"
	g	24"	24"
<b>W3012B</b>	b	9"	9"
	d	12"	12"
<b>W3015B</b>	b	12"	12"
	d	15"	15"
<b>W3018B</b>	b	15"	15"
	d	18"	18"

### Parts Specifications

#### ALL SIZES

	Amesbury/ Quincy/ Plymouth	Bristol/ Salem
Bottom and Top Panel	28 13/16"W x 10 13/16"D	28 13/16"W x 10 13/16"D
Shelf Dimensions	28 5/16"W x 10 7/16"H	28 5/16"W x 10 7/16"H

#### W3012B

Door Size	14 11/16"W x 10 3/4"H	13 15/16"W x 10"H
Back Panel	28 7/8"W x 12"H	28 7/8"W x 12"H
Shelf Count	0	0
Cabinet Inner Dimensions	28 1/2"W x 9 3/8"H x 10 11/16"D	28 1/2"W x 9 3/8"H x 10 11/16"D

#### W3015B

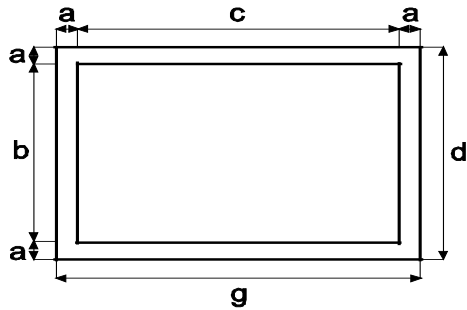
Door Size	14 11/16"W x 13 3/4"H	13 15/16"W x 13"H
Back Panel	28 7/8"W x 15"H	28 7/8"W x 15"H
Shelf Count	0	0
Cabinet Inner Dimensions	28 1/2"W x 12 3/8"H x 10 11/16"D	28 1/2"W x 12 3/8"H x 10 11/16"D

#### W3018B

Door Size	14 11/16"W x 16 3/4"H	13 15/16"W x 16"H
Back Panel	28 7/8"W x 18"H	28 7/8"W x 18"H
Shelf Count	0	0
Cabinet Inner Dimensions	28 1/2"W x 15 3/8"H x 10 11/16"D	28 1/2"W x 15 3/8"H x 10 11/16"D

## W3024B

### *Face Frame Specifications*



W3024B

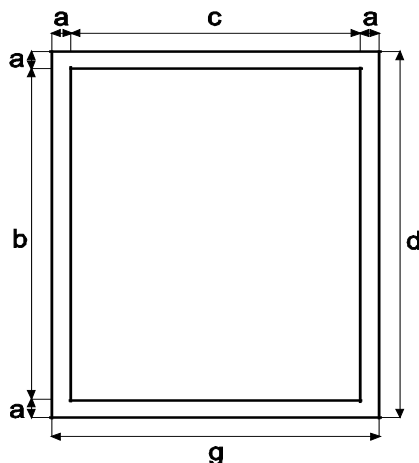
	Amesbury/ Quincy/ Plymouth	Bristol/ Salem
a	1 1/2"	1 1/2"
b	21 "	21 "
c	27"	27"
d	24 "	24 "
g	30"	30"

### *Parts Specifications*

W3024B	Amesbury/ Quincy/ Plymouth	Bristol/ Salem
Door Size	14 11/16"W x 22 3/4"H	13 15/16"W x 22"H
Bottom and Top Panel	28 13/16"W x 10 13/16"D	28 13/16"W x 10 13/16"D
Shelf Dimensions	28 5/16"W x 10 7/16"H	28 5/16"W x 10 7/16"H
Shelf Count	1	1
Back Panel	28 7/8"W x 24"H	28 7/8"W x 24"H
Cabinet Inner Dimensions	28 1/2"W x 21 3/8"H x 10 11/16"D	28 1/2"W x 21 3/8"H x 10 11/16"D

## W3030B / W3036B / W3042B

### Face Frame Specifications



		Amesbury/ Quincy/ Plymouth	Bristol/ Salem
<b>ALL SIZES</b>	a	1 1/2"	1 1/2"
	c	27"	27"
	g	30"	30"
<b>W3030B</b>	b	27"	27"
	d	30"	30"
<b>W3036B</b>	b	33"	N/A
	d	36"	N/A
<b>W3042B</b>	b	39"	N/A
	d	42"	N/A

### Parts Specifications

#### ALL SIZES

	Amesbury/ Quincy/ Plymouth	Bristol/ Salem
Bottom and Top Panel	28 13/16"W x 10 13/16"D	28 13/16"W x 10 13/16"D
Shelf Dimensions	28 5/16"W x 10 7/16"H	28 5/16"W x 10 7/16"H

#### W3030B

Door Size	14 11/16"W x 28 3/4"H	13 15/16"W x 28"H
Back Panel	28 7/8"W x 30"H	28 7/8"W x 30"H
Shelf Count	2	2
Cabinet Inner Dimensions	28 1/2"W x 27 3/8"H x 10 11/16"D	28 1/2"W x 27 3/8"H x 10 11/16"D

#### W3036B

Door Size	14 11/16"W x 34 3/4"H	N/A
Back Panel	28 7/8"W x 36"H	N/A
Shelf Count	2	N/A
Cabinet Inner Dimensions	28 1/2"W x 33 3/8"H x 10 11/16"D	N/A

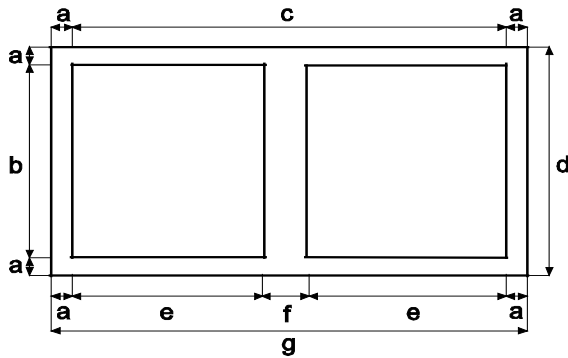
#### W3042B

Door Size	14 11/16"W x 40 3/4"H	N/A
Back Panel	28 7/8"W x 42"H	N/A
Shelf Count	3	N/A
Cabinet Inner Dimensions	28 1/2"W x 39 3/8"H x 10 11/16"D	N/A



## W3312 / W3315 / W3318

### Face Frame Specifications



	Amesbury/ Quincy/ Plymouth	Bristol/ Salem	
<b>ALL SIZES</b>	a	1 1/2"	1 1/2"
	c	30"	30"
	e	13 1/2"	13 1/2"
	f	3"	3"
	g	33"	33"
<b>W3312</b>	b	9"	N/A
	d	12"	N/A
<b>W3315</b>	b	12"	12"
	d	15"	15"
<b>W3318</b>	b	15"	15"
	d	18"	18"

### Parts Specifications

#### ALL SIZES

	Amesbury/ Quincy/ Plymouth	Bristol/ Salem
Bottom and Top Panel	31 13/16"W x 10 13/16"D	31 13/16"W x 10 13/16"D

#### W3312

Door Size	16"W x 10 3/4"H	N/A
Back Panel	31 7/8"W x 12"H	N/A
Shelf Count	0	N/A
Cabinet Inner Dimensions	31 1/2"W x 9 3/8"H x 10 11/16"D	N/A

#### W3315

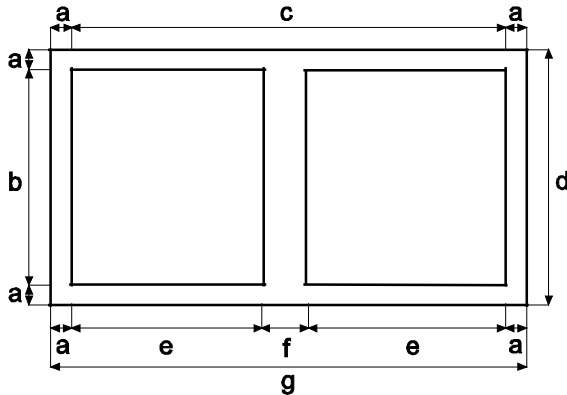
Door Size	16"W x 13 3/4"H	14 1/2"W x 13"H
Back Panel	31 7/8"W x 15"H	31 7/8"W x 15"H
Shelf Count	0	0
Cabinet Inner Dimensions	31 1/2"W x 12 3/8"H x 10 11/16"D	31 1/2"W x 12 3/8"H x 10 11/16"D

#### W3318

Door Size	16"W x 16 3/4"H	14 1/2"W x 16"H
Back Panel	31 7/8"W x 18"H	31 7/8"W x 18"H
Shelf Count	0	0
Cabinet Inner Dimensions	31 1/2"W x 15 3/8"H x 10 11/16"D	31 1/2"W x 15 3/8"H x 10 11/16"D

## W3324

### *Face Frame Specifications*



W3324

	Amesbury/ Quincy/ Plymouth	Bristol/ Salem
a	1 1/2"	N/A
b	21 "	N/A
c	30"	N/A
d	24 "	N/A
e	13 1/2 "	N/A
f	3"	N/A
g	30"	N/A

### *Parts Specifications*

W3324	Amesbury/ Quincy/ Plymouth	Bristol/ Salem
Door Size	16"W x 22 3/4"H	N/A
Bottom and Top Panel	31 13/16"W x 10 13/16"D	N/A
Shelf Dimensions	31 5/16"W x 10 7/16"H	N/A
Shelf Count	1	N/A
Back Panel	31 7/8"W x 24"H	N/A
Cabinet Inner Dimensions	31 1/2"W x 21 3/8"H x 10 11/16"D	N/A

## W3330 / W3336 / W3342

### Face Frame Specifications

		Amesbury/ Quincy/ Plymouth	Bristol/ Salem
<b>ALL SIZES</b>	a	1 1/2"	1 1/2"
	c	30"	30"
	g	33"	33"
<b>W3330</b>	b	27"	27"
	d	30"	30"
<b>W3336</b>	b	33"	N/A
	d	36"	N/A
<b>W3342</b>	b	39"	N/A
	d	42"	N/A

### Parts Specifications

#### ALL SIZES

	Amesbury/ Quincy/ Plymouth	Bristol/ Salem
Bottom and Top Panel	31 <sup>13</sup> / <sub>16</sub> "W x 10 <sup>13</sup> / <sub>16</sub> "D	31 <sup>13</sup> / <sub>16</sub> "W x 10 <sup>13</sup> / <sub>16</sub> "D
Shelf Dimensions	31 <sup>5</sup> / <sub>16</sub> "W x 10 <sup>7</sup> / <sub>16</sub> "H	31 <sup>5</sup> / <sub>16</sub> "W x 10 <sup>7</sup> / <sub>16</sub> "H

#### W3330

Door Size	16"W x 28 <sup>3</sup> / <sub>4</sub> "H	14 <sup>1</sup> / <sub>2</sub> "W x 28"H
Back Panel	31 <sup>7</sup> / <sub>8</sub> "W x 30"H	31 <sup>7</sup> / <sub>8</sub> "W x 30"H
Shelf Count	2	2
Cabinet Inner Dimensions	31 <sup>1</sup> / <sub>2</sub> "W x 27 <sup>3</sup> / <sub>8</sub> "H x 10 <sup>11</sup> / <sub>16</sub> "D	31 <sup>1</sup> / <sub>2</sub> "W x 27 <sup>3</sup> / <sub>8</sub> "H x 10 <sup>11</sup> / <sub>16</sub> "D

#### W3336

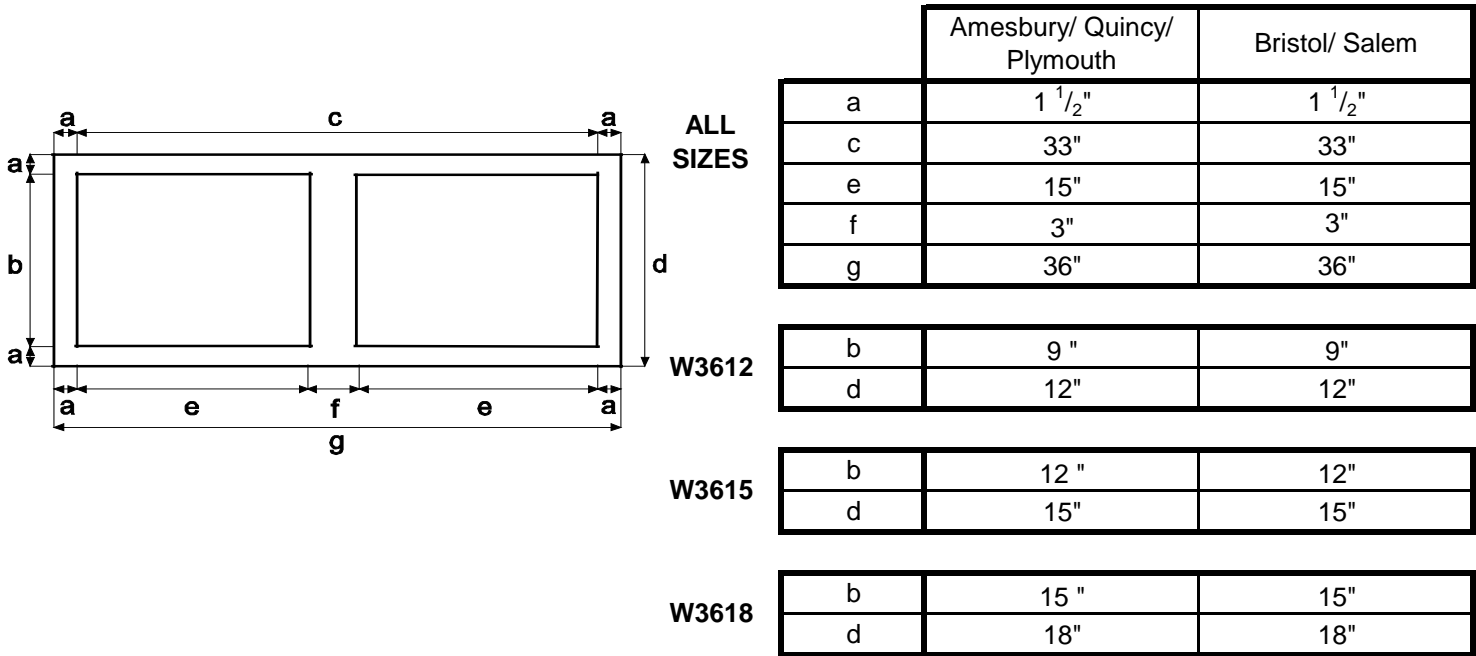
Door Size	16"W x 34 <sup>3</sup> / <sub>4</sub> "H	N/A
Back Panel	31 <sup>7</sup> / <sub>8</sub> "W x 36"H	N/A
Shelf Count	2	N/A
Cabinet Inner Dimensions	31 <sup>1</sup> / <sub>2</sub> "W x 33 <sup>3</sup> / <sub>8</sub> "H x 10 <sup>11</sup> / <sub>16</sub> "D	N/A

#### W3642

Door Size	16"W x 40 <sup>3</sup> / <sub>4</sub> "H	N/A
Back Panel	31 <sup>7</sup> / <sub>8</sub> "W x 42"H	N/A
Shelf Count	3	N/A
Cabinet Inner Dimensions	31 <sup>1</sup> / <sub>2</sub> "W x 39 <sup>3</sup> / <sub>8</sub> "H x 10 <sup>11</sup> / <sub>16</sub> "D	N/A

## W3612 / W3615 / W3618

### Face Frame Specifications



### Parts Specifications

#### ALL SIZES

	Amesbury/ Quincy/ Plymouth	Bristol/ Salem
Bottom and Top Panel	34 13/16"W x 10 13/16"D	34 13/16"W x 10 13/16"D
Shelf Dimensions	34 5/16"W x 10 7/16"H	34 5/16"W x 10 7/16"H

#### W3612

Door Size	17 1/2"W x 10 3/4"H	16"W x 10"H
Back Panel	34 7/8"W x 12"H	34 7/8"W x 12"H
Shelf Count	0	0
Cabinet Inner Dimensions	34 1/2"W x 9 3/8"H x 10 11/16"D	34 1/2"W x 9 3/8"H x 10 11/16"D

#### W3615

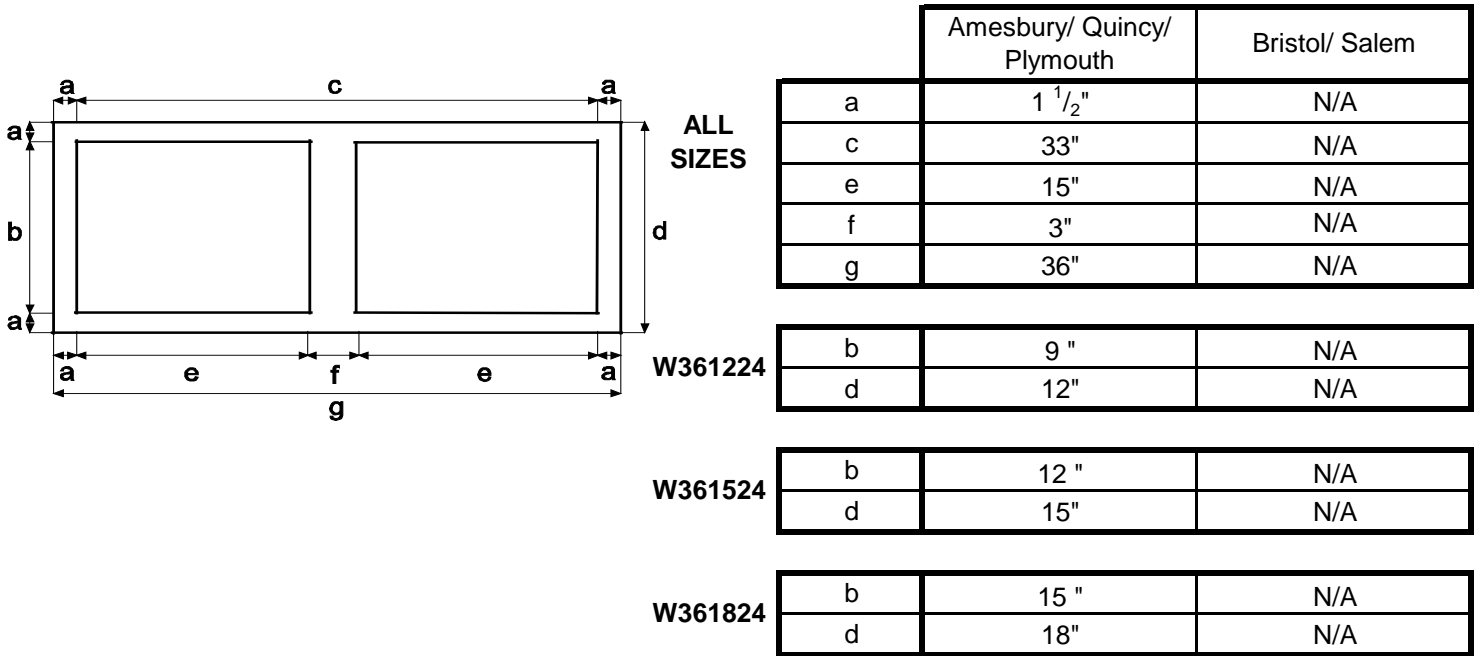
Door Size	17 1/2"W x 13 3/4"H	16"W x 13"H
Back Panel	34 7/8"W x 15"H	34 7/8"W x 15"H
Shelf Count	0	0
Cabinet Inner Dimensions	34 1/2"W x 12 3/8"H x 10 11/16"D	34 1/2"W x 12 3/8"H x 10 11/16"D

#### W3618

Door Size	17 1/2"W x 16 3/4"H	16"W x 16"H
Back Panel	34 7/8"W x 18"H	34 7/8"W x 18"H
Shelf Count	0	0
Cabinet Inner Dimensions	34 1/2"W x 15 3/8"H x 10 11/16"D	34 1/2"W x 15 3/8"H x 10 11/16"D

## W361224 / W361524 / W361824

### Face Frame Specifications



### Parts Specifications

**ALL SIZES**

	Amesbury/ Quincy/ Plymouth	Bristol/ Salem
Bottom and Top Panel	34 13/16"W x 22 13/16"D	N/A

**W361224**

Door Size	17 1/2"W x 10 3/4"H	N/A
Back Panel	34 7/8"W x 12"H	N/A
Shelf Count	0	N/A
Cabinet Inner Dimensions	34 1/2"W x 9 3/8"H x 22 11/16"D	N/A

**W361524**

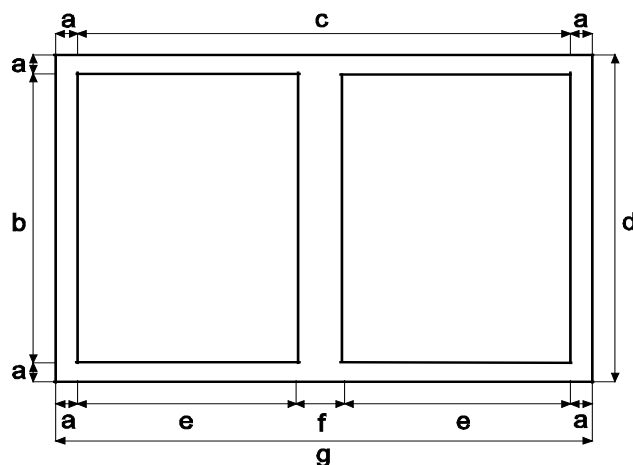
Door Size	17 1/2"W x 13 3/4"H	N/A
Back Panel	34 7/8"W x 15"H	N/A
Shelf Count	0	N/A
Cabinet Inner Dimensions	34 1/2"W x 12 3/8"H x 22 11/16"D	N/A

**W361824**

Door Size	17 1/2"W x 16 3/4"H	N/A
Back Panel	34 7/8"W x 18"H	N/A
Shelf Count	0	N/A
Cabinet Inner Dimensions	34 1/2"W x 15 3/8"H x 22 11/16"D	N/A

## W3624 / W362424

### Face Frame Specifications



**W3624  
&  
W362424**

	Amesbury/ Quincy/ Plymouth	Bristol/ Salem
a	1 1/2"	1 1/2"
b	21 "	21 "
c	33"	33"
d	24 "	24 "
e	15"	15"
f	3"	3"
g	36"	36"

### Parts Specifications

<b>W3624</b>	Amesbury/ Quincy/ Plymouth	Bristol/ Salem
Door Size	17 1/2"W x 22 3/4"H	16"W x 22"H
Bottom and Top Panel	34 13/16"W x 10 13/16"D	34 13/16"W x 10 13/16"D
Shelf Dimensions	34 5/16"W x 10 7/16"H	34 5/16"W x 10 7/16"H
Shelf Count	1	1
Back Panel	34 7/8"W x 24"H	34 7/8"W x 24"H
Cabinet Inner Dimensions	34 1/2"W x 21 3/8"H x 10 11/16"D	34 1/2"W x 21 3/8"H x 10 11/16"D

#### **W362424**

Door Size	17 1/2"W x 22 3/4"H	N/A
Bottom and Top Panel	34 13/16"W x 22 13/16"D	N/A
Shelf Dimensions	34 5/16"W x 22 7/16"H	N/A
Shelf Count	1	N/A
Back Panel	34 7/8"W x 24"H	N/A
Cabinet Inner Dimensions	34 1/2"W x 21 3/8"H x 22 11/16"D	N/A

- W362424 is 24" deep

## W3630 / W3636 / W3642

### Face Frame Specifications

	Amesbury/ Quincy/ Plymouth	Bristol/ Salem	
<b>ALL SIZES</b>	a	1 1/2"	1 1/2"
	c	33"	33"
	g	36"	36"
<b>W3630</b>	b	27"	27"
	d	30"	30"
<b>W3636</b>	b	33"	N/A
	d	36"	N/A
<b>W3642</b>	b	39"	N/A
	d	42"	N/A

### Parts Specifications

#### ALL SIZES

	Amesbury/ Quincy/ Plymouth	Bristol/ Salem
Bottom and Top Panel	34 <sup>13</sup> / <sub>16</sub> "W x 10 <sup>13</sup> / <sub>16</sub> "D	34 <sup>13</sup> / <sub>16</sub> "W x 10 <sup>13</sup> / <sub>16</sub> "D
Shelf Dimensions	34 <sup>5</sup> / <sub>16</sub> "W x 10 <sup>7</sup> / <sub>16</sub> "H	34 <sup>5</sup> / <sub>16</sub> "W x 10 <sup>7</sup> / <sub>16</sub> "H

#### W3630

Door Size	17 1/2"W x 28 3/4"H	16"W x 28"H
Back Panel	34 7/8"W x 30"H	34 7/8"W x 30"H
Shelf Count	2	2
Cabinet Inner Dimensions	34 1/2"W x 27 3/8"H x 10 11/16"D	34 1/2"W x 27 3/8"H x 10 11/16"D

#### W3636

Door Size	17 1/2"W x 34 3/4"H	N/A
Back Panel	34 7/8"W x 36"H	N/A"H
Shelf Count	2	N/A
Cabinet Inner Dimensions	34 1/2"W x 33 3/8"H x 10 11/16"D	N/A

#### W3642

Door Size	17 1/2"W x 40 3/4"H	N/A
Back Panel	34 7/8"W x 42"H	N/A
Shelf Count	3	N/A
Cabinet Inner Dimensions	34 1/2"W x 39 3/8"H x 10 11/16"D	N/A

## W4230 / W4236 / W4242

### Face Frame Specifications

		Amesbury/ Quincy/ Plymouth	Bristol/ Salem
<b>ALL SIZES</b>	a	1 1/2"	1 1/2"
	c	39"	39"
	g	42"	42"
<b>W4230</b>	b	27"	27"
	d	30"	30"
<b>W4236</b>	b	33"	N/A
	d	36"	N/A
<b>W4242</b>	b	39"	N/A
	d	42"	N/A

### Parts Specifications

#### ALL SIZES

	Amesbury/ Quincy/ Plymouth	Bristol/ Salem
Bottom and Top Panel	40 <sup>13</sup> / <sub>16</sub> "W x 10 <sup>13</sup> / <sub>16</sub> "D	40 <sup>13</sup> / <sub>16</sub> "W x 10 <sup>13</sup> / <sub>16</sub> "D
Shelf Dimensions	40 <sup>5</sup> / <sub>16</sub> "W x 10 <sup>7</sup> / <sub>16</sub> "H	40 <sup>5</sup> / <sub>16</sub> "W x 10 <sup>7</sup> / <sub>16</sub> "H

#### W4230

Door Size	20 1/2"W x 28 3/4"H	19"W x 28"H
Back Panel	40 7/8"W x 30"H	40 7/8"W x 30"H
Shelf Count	2	2
Cabinet Inner Dimensions	40 1/2"W x 27 3/8"H x 10 11/16"D	40 1/2"W x 27 3/8"H x 10 11/16"D

#### W4236

Door Size	20 1/2"W x 34 3/4"H	N/A
Back Panel	40 7/8"W x 36"H	N/A
Shelf Count	2	N/A
Cabinet Inner Dimensions	40 1/2"W x 33 3/8"H x 10 11/16"D	N/A

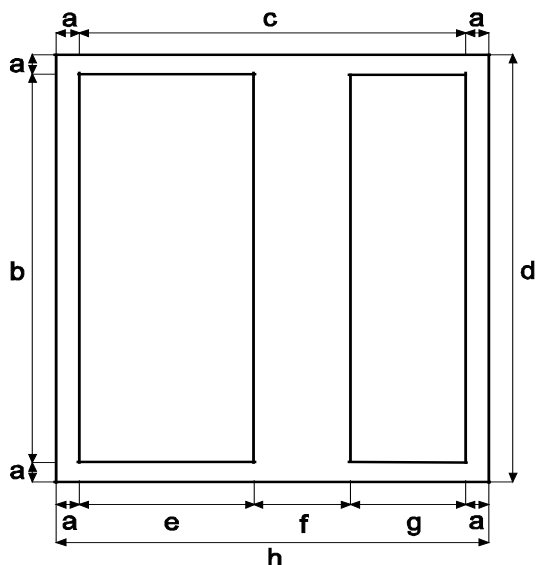
#### W4242

Door Size	20 1/2"W x 40 3/4"H	N/A
Back Panel	40 7/8"W x 42"H	N/A
Shelf Count	3	N/A
Cabinet Inner Dimensions	40 1/2"W x 39 3/8"H x 10 11/16"D	N/A



## WBC2730

### *Face Frame Specifications*



	Amesbury/ Quincy/ Plymouth	Bristol/ Salem
a	1 1/2"	1 1/2"
b	27"	27"
c	24"	24"
d	30"	30"
e	12"	12"
f	6"	6"
g	6"	6"
h	27"	27"

### *Parts Specifications*

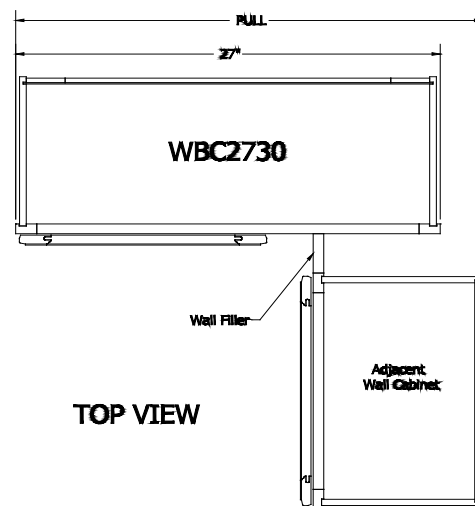
	Amesbury/ Quincy/ Plymouth	Bristol/ Salem
Door Size	14 1/2"W x 28 3/4"H	13"W x 28"H
Bottom and Top Panel	25 13/16"W x 10 13/16"D	25 13/16"W x 10 13/16"D
Back Panel	25 7/8"W x 30"H	25 7/8"W x 30"H
Shelf Count	2	2
Shelf Dimensions	25 5/16"W x 10 7/16"H	25 5/16"W x 10 7/16"H
Cabinet Inner Dimensions	25 1/2"W x 27 3/8"H x 10 11/16"D	25 1/2"W x 27 3/8"H x 10 11/16"D

### *Installation Information*

- Recommended Pull:
- Maximum Pull:

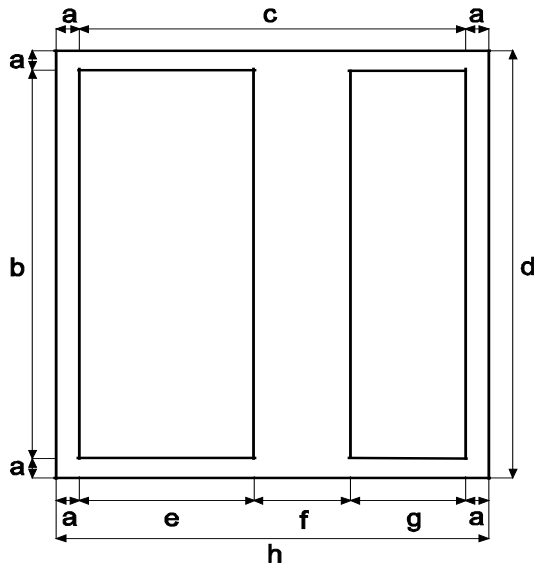
Amesbury/ Quincy/ Plymouth	Bristol/ Salem
27" - 30"	27" - 30"
31"	31"

- 3" filler is sold separately (WF3).
- Cabinet is reversible, to make the unit a left/right blind.



## WBC2736

### Face Frame Specifications



	Amesbury/ Quincy/ Plymouth	Bristol/ Salem
a	1 1/2"	N/A
b	33"	N/A
c	24"	N/A
d	36"	N/A
e	12"	N/A
f	6"	N/A
g	6"	N/A
h	27"	N/A

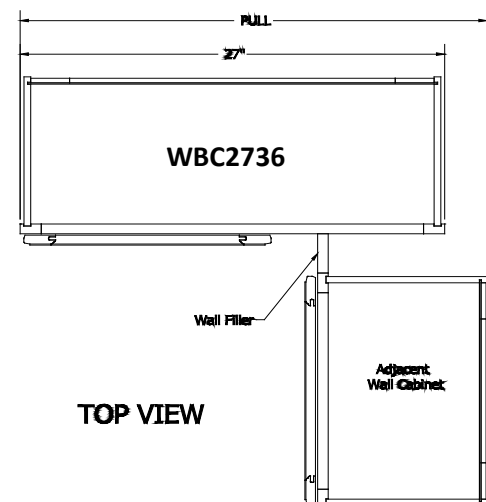
### Parts Specifications

	Amesbury/ Quincy/ Plymouth	Bristol/ Salem
Door Size	14 1/2"W x 34 3/4"H	N/A
Bottom and Top Panel	25 13/16"W x 10 13/16"D	N/A
Back Panel	25 7/8"W x 36"H	N/A
Shelf Count	2	N/A
Shelf Dimensions	25 5/16"W x 10 7/16"H	N/A
Cabinet Inner Dimensions	25 1/2"W x 33 3/8"H x 10 11/16"D	N/A

### Installation Information

- Recommended Pull:
- Maximum Pull:

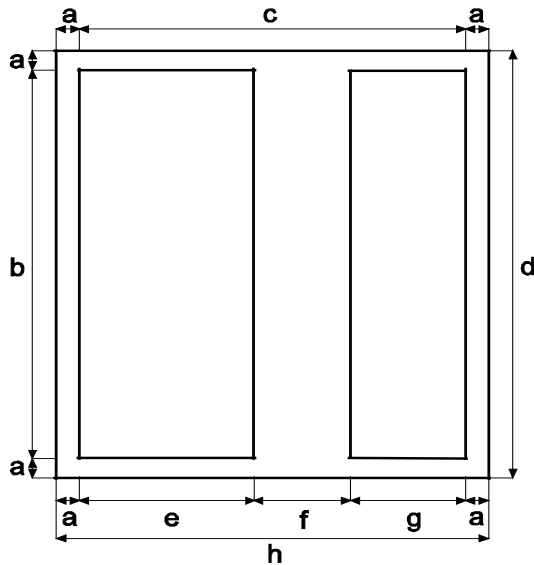
Amesbury/ Quincy/ Plymouth	Bristol/ Salem
27" - 30"	27" - 30"
31"	31"



- 3" filler is sold separately (WF3).
- Cabinet is reversible, to make the unit a left/right blind.

## WBC2742

### Face Frame Specifications



	Amesbury/ Quincy/ Plymouth	Bristol/ Salem
a	1 1/2"	N/A
b	39"	N/A
c	24"	N/A
d	42"	N/A
e	12"	N/A
f	6"	N/A
g	6"	N/A
h	27"	N/A

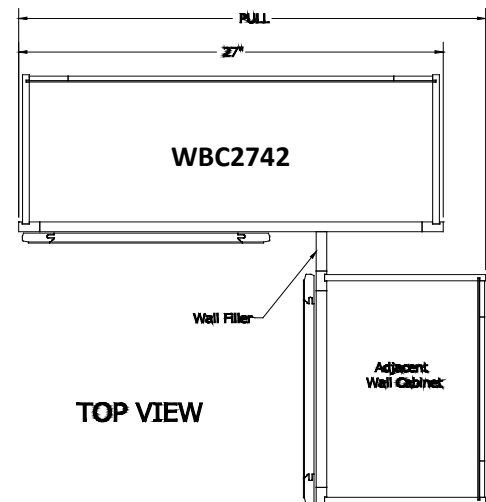
### Parts Specifications

	Amesbury/ Quincy/ Plymouth	Bristol/ Salem
Door Size	14 1/2"W x 40 3/4"H	N/A
Bottom and Top Panel	25 13/16"W x 10 13/16"D	N/A
Back Panel	25 7/8"W x 42"H	N/A
Shelf Count	3	N/A
Shelf Dimensions	25 5/16"W x 10 7/16"H	N/A
Cabinet Inner Dimensions	25 1/2"W x 39 3/8"H x 10 11/16"D	N/A

### Installation Information

- Recommended Pull:
- Maximum Pull:

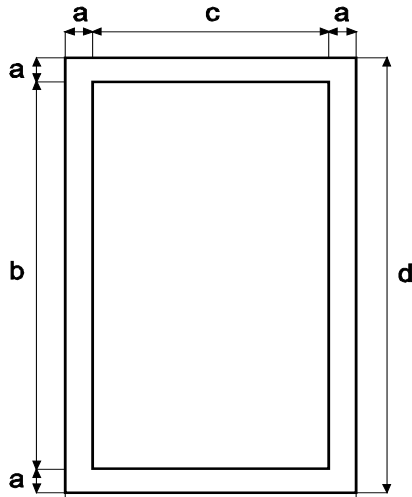
Amesbury/ Quincy/ Plymouth	Bristol/ Salem
27" - 30"	27" - 30"
31"	31"



- 3" filler is sold separately (WF3).
- Cabinet is reversible, to make the unit a left/right blind.

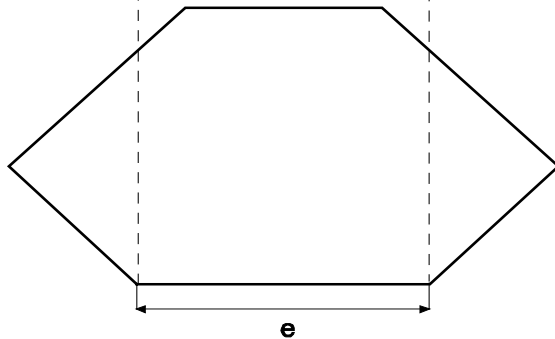
## WDC2430

### *Face Frame Specifications*

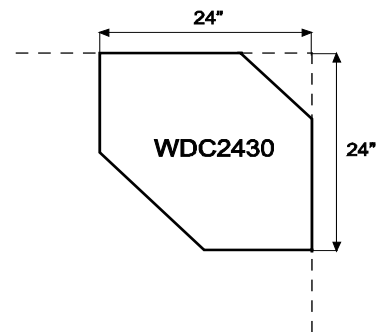


	Amesbury/ Quincy/ Plymouth	Bristol/ Salem
a	1 1/2"	1 1/2"
b	27"	27"
c	14"	14"
d	30"	30"
e	17"	17"

**Top View**



### *Installation Information*



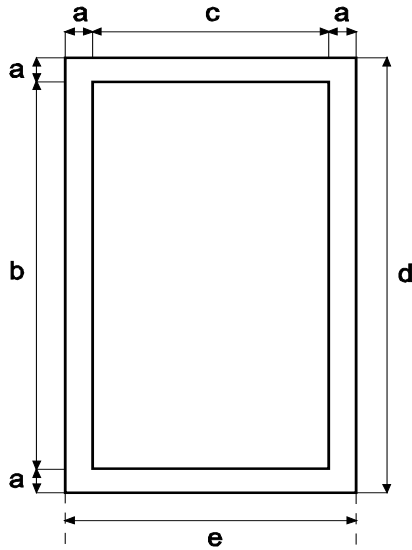
- WDC2430 cabinets require 24" room from the corner in each direction for installation

### *Parts Specifications*

	Amesbury/ Quincy/ Plymouth	Bristol/ Salem
Door Size	15"W x 28 3/4"H	14 15/16"W x 28"H
Front Side Panel	11 3/8"W x 30"H	11 3/8"W x 30"H
Back Side Panel	14 3/4"W x 30"H	14 3/4"W x 30"H
Back Panel	12 15/16"W x 30"H	12 13/16"W x 30"H
Shelf Count	2	2

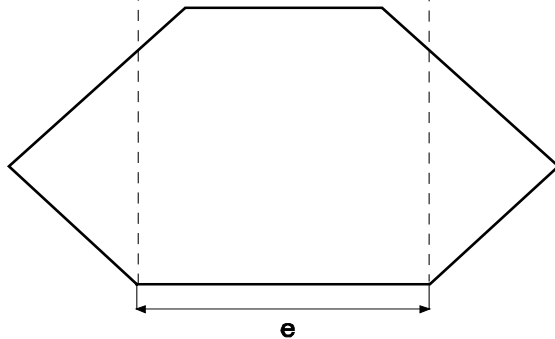
## WDC2436

### *Face Frame Specifications*

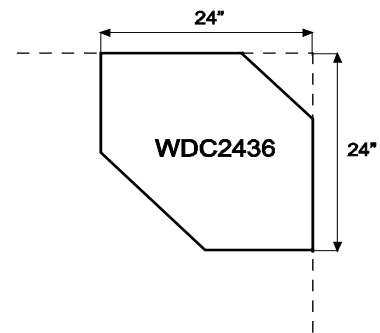


	Amesbury/ Quincy/ Plymouth	Bristol/ Salem
a	1 1/2"	N/A
b	33"	N/A
c	14"	N/A
d	36"	N/A
e	17"	N/A

**Top View**



### *Installation Information*



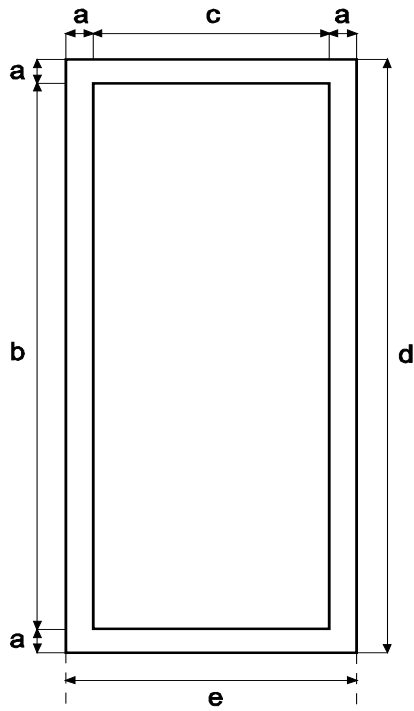
- WDC2436 cabinets require 24" room from the corner in each direction for installation

### *Parts Specifications*

	Amesbury/ Quincy/ Plymouth	Bristol/ Salem
Door Size	15"W x 34 3/4"H	N/A
Front Side Panel	11 3/8"W x 36"H	N/A
Back Side Panel	14 3/4"W x 36"H	N/A
Back Panel	12 15/16"W x 36"H	N/A
Shelf Count	2	N/A

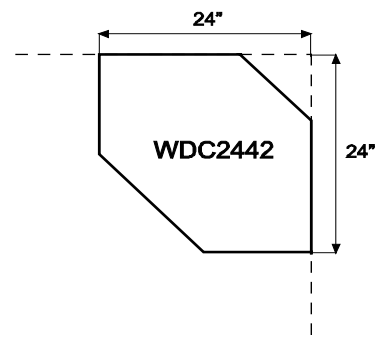
## WDC2442

### Face Frame Specifications



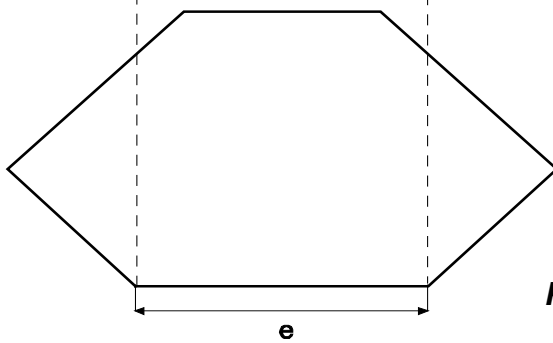
	Amesbury/ Quincy/ Plymouth	Bristol/ Salem
a	1 1/2"	N/A
b	39"	N/A
c	14"	N/A
d	42"	N/A
e	17"	N/A

### Installation Information



- WDC2442 cabinets require 24" room from the corner in each direction for installation

**Top View**



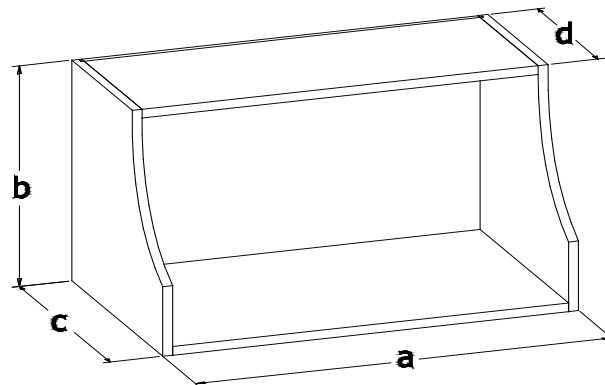
### Parts Specifications

	Amesbury/ Quincy/ Plymouth	Bristol/ Salem
Door Size	15"W x 40 3/4"H	N/A
Front Side Panel	11 3/8"W x 42"H	N/A
Back Side Panel	14 3/4"W x 42"H	N/A
Back Panel	12 15/16"W x 42"H	N/A
Shelf Count	3	N/A

**MO3018**

**Face Frame Specifications**

	Amesbury/ Quincy/ Plymouth	Bristol/ Salem
a	30 "	N / A
b	18 "	N / A
c	18 "	N / A
d	12 "	N / A

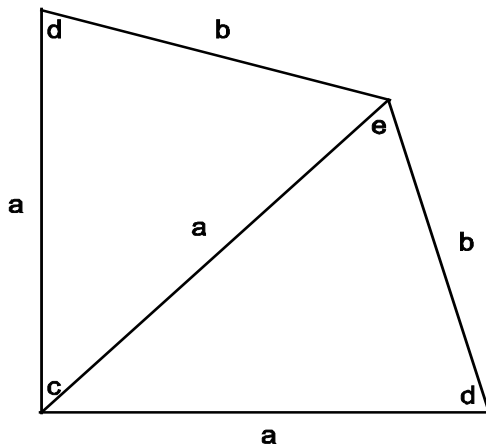


Inner Dimensions: 28 1/2"W x 16 1/2"H x 17 1/2"D

- 3/4 " thick plywood with edgebanded sides, top & bottom
- 1/2 " thick plywood back panel

## AB24

### Face Frame Specifications



	Amesbury/ Quincy/ Plymouth	Bristol/ Salem
a	24"	N / A
b	18 <sup>5</sup> / <sub>16</sub> "	N / A
c	90°	N / A
d	67.5°	N / A
e	135°	N / A

### Parts Specifications

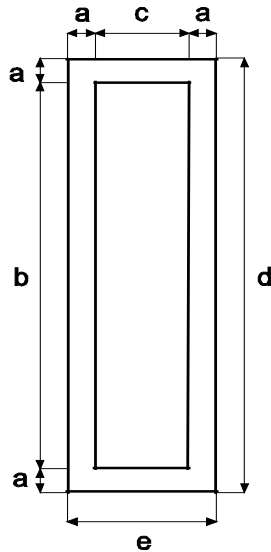
	Amesbury/ Quincy/ Plymouth	Bristol/ Salem
Door Size	17 <sup>7</sup> / <sub>8</sub> "W x 29 "H	N / A
Door Cutout	15 <sup>1</sup> / <sub>2</sub> "W x 26 <sup>1</sup> / <sub>2</sub> "H	N / A
Shelf Count	1	N / A
Holes for Roll-Outs	None	N / A

- Shelf is fixed, full depth, <sup>3</sup>/<sub>4</sub>" thick



## BF09

### Face Frame Specifications



	Amesbury/ Quincy/ Plymouth	Bristol/ Salem
a	1 1/2"	1 1/2"
b	27 "	27 "
c	6 "	6 "
d	30"	30"
e	9"	9"

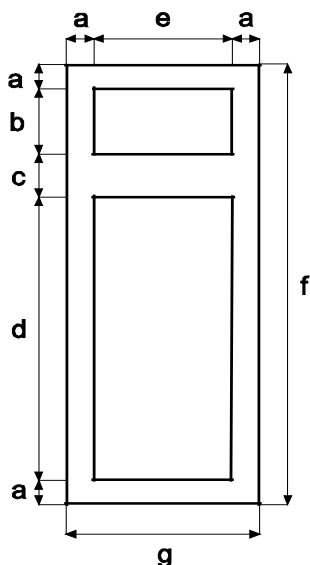
### Parts Specifications

	Amesbury/ Quincy/ Plymouth	Bristol/ Salem
Door Size	8 1/2" x 29"	7" x 28"
Cabinet Bottom Panel	7 7/8"W x 23"D x 3/8"T	7 7/8"W x 23"D x 3/8"T
Back Panel	7 7/8"W x 31 5/16"H	7 7/8"W x 31 3/8"H
Shelf Count	1	1
Shelf Dimensions	7 5/16"W x 11 13/16"D	7 5/16"W x 11 13/16"D
Cabinet Inner Dimensions	7 1/2"W x 22 3/4"D x 28 5/8"H	7 1/2"W x 22 3/4"D x 28 5/8"H
Holes for Roll-Outs	None	None

- BF09 has a full height door
- No drawer

## B12

### Face Frame Specifications



	Amesbury/ Quincy/ Plymouth	Bristol/ Salem
a	1 1/2"	1 1/2"
b	5 5/32"	5 5/32"
c	1 1/2"	1 1/2"
d	20 11/32"	20 11/32"
e	9"	9"
f	30"	30"
g	12"	12"

### Parts Specifications

	Amesbury/ Quincy/ Plymouth	Bristol/ Salem
Door Size	11 1/2"W x 22 1/4"H	10"W x 21 1/4"H
Drawer Head Size	11 1/2"W x 6 1/2"H	10"W x 6 5/32"H
Cabinet Bottom Panel	10 7/8"W x 23"D x 3/8"T	10 7/8"W x 23"D x 3/8"T
Back Panel	10 7/8"W x 31 3/8"H	10 7/8"W x 31 3/8"H
Shelf Count	1	1
Shelf Dimensions	10 5/16"W x 11 13/16"D	10 5/16"W x 11 13/16"D
Cabinet Inner Dimensions	10 1/2"W x 22 3/4"D x 22 1/8"H	10 1/2"W x 22 3/4"D x 22 1/8"H
Holes for Roll-Outs	6 sets / up to 2 RT	6 sets / up to 2 RT

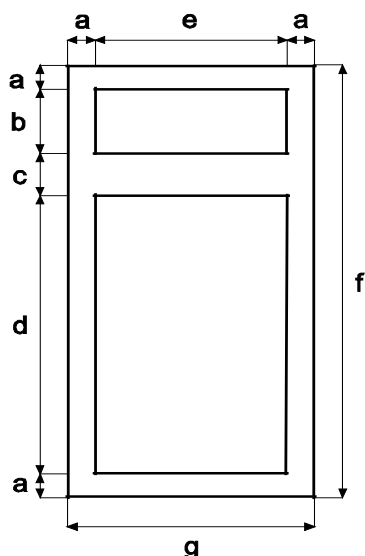
### Drawer Box Specifications

	Amesbury/ Quincy/ Plymouth	Bristol/ Salem
Drawer Inner Dimensions	7 1/8"W x 19 3/4"D x 3 1/4"H	6 3/4"W x 19 1/4"D x 3 1/8"H
Drawer Outer Dimensions	8 7/16"W x 21 1/8"D x 4"H	8"W x 20 1/2"D x 3 15/16"H
Drawer Bottom Panel	3/8" Thick	1/4" Thick

Drawer boxes come un-assembled.

## B15

### **Face Frame Specifications**



	Amesbury/ Quincy/ Plymouth	Bristol/ Salem
a	1 1/2"	1 1/2"
b	5 5/32"	5 5/32"
c	1 1/2"	1 1/2"
d	20 11/32"	20 11/32"
e	12 "	12 "
f	30"	30"
g	15"	15"

### **Parts Specifications**

	Amesbury/ Quincy/ Plymouth	Bristol/ Salem
Door Size	14 1/2"W x 22 1/4"H	13"W x 21 1/4"H
Drawer Head Size	14 1/2"W x 6 1/2"H	13"W x 6 5/32"H
Cabinet Bottom Panel	13 7/8"W x 23"D x 3/8"T	13 7/8"W x 23"D x 3/8"T
Back Panel	13 7/8"W x 31 5/8"H	13 7/8"W x 31 3/8"H
Shelf Count	1	1
Shelf Dimensions	13 5/16"W x 11 13/16"D	13 5/16"W x 11 13/16"D
Cabinet Inner Dimensions	13 1/2"W x 22 3/4"D x 22 1/8"H	13 1/2"W x 22 3/4"D x 22 1/8"H
Holes for Roll-Outs	6 sets / up to 2 RT	6 sets / up to 2 RT

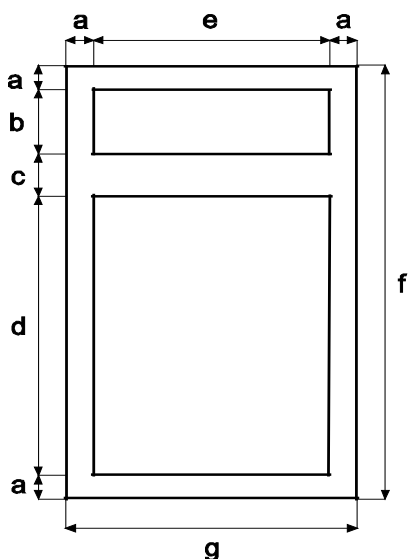
### **Drawer Box Specifications**

	Amesbury/ Quincy/ Plymouth	Bristol/ Salem
Drawer Inner Dimensions	10 1/8"W x 19 3/4"D x 3 1/4"H	9 3/4"W x 19 1/4"D x 3 1/8"H
Drawer Outer Dimensions	11 7/16"W x 21 1/8"D x 4"H	11"W x 20 1/2"D x 3 15/16"H
Drawer Bottom Panel	3/8" Thick	1/4" Thick

Drawer boxes come un-assembled.

## B18

### **Face Frame Specifications**



	Amesbury/ Quincy/ Plymouth	Bristol/ Salem
a	1 1/2"	1 1/2"
b	5 5/32"	5 5/32"
c	1 1/2"	1 1/2"
d	20 11/32"	20 11/32"
e	15 "	15 "
f	30"	30"
g	18"	18"

### **Parts Specifications**

	Amesbury/ Quincy/ Plymouth	Bristol/ Salem
Door Size	17 1/2"W x 22 1/4"H	16"W x 21 1/4"H
Drawer Head Size	17 1/2"W x 6 1/2"H	16"W x 6 5/32"H
Cabinet Bottom Panel	16 7/8"W x 23"D x 3/8"T	16 7/8"W x 23"D x 3/8"T
Back Panel	16 7/8"W x 31 3/8"H	16 7/8"W x 31 3/8"H
Shelf Count	1	1
Shelf Dimensions	16 5/16"W x 11 13/16"D	16 5/16"W x 11 13/16"D
Cabinet Inner Dimensions	16 1/2"W x 22 3/4"D x 22 1/8"H	16 1/2"W x 22 3/4"D x 22 1/8"H
Holes for Roll-Outs	6 sets / up to 2 RT	6 sets / up to 2 RT

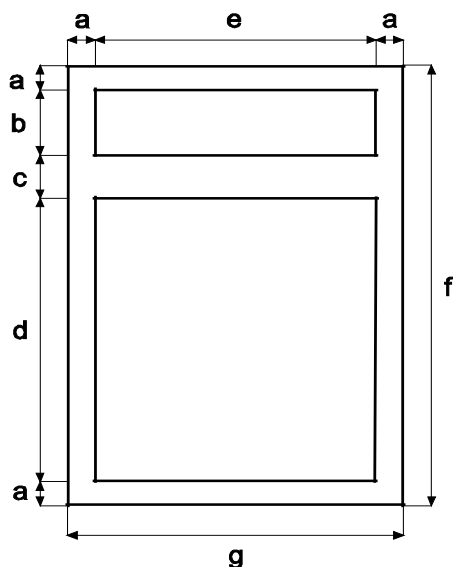
### **Drawer Box Specifications**

	Amesbury/ Quincy/ Plymouth	Bristol/ Salem
Drawer Inner Dimensions	13 1/8"W x 19 3/4"D x 3 1/4"H	12 3/4"W x 19 1/4"D x 3 1/8"H
Drawer Outer Dimensions	14 7/16"W x 21 1/8"D x 4"H	14"W x 20 1/2"D x 3 15/16"H
Drawer Bottom Panel	3/8" Thick	1/4" Thick

Drawer boxes come un-assembled.

## B21

### **Face Frame Specifications**



	Amesbury/ Quincy/ Plymouth	Bristol/ Salem
a	1 1/2"	1 1/2"
b	5 5/32"	5 5/32"
c	1 1/2"	1 1/2"
d	20 11/32"	20 11/32"
e	18 "	18 "
f	30"	30"
g	21"	21"

### **Parts Specifications**

	Amesbury/ Quincy/ Plymouth	Bristol/ Salem
Door Size	20 1/2"W x 22 1/4"H	19"W x 21 1/4"H
Drawer Head Size	20 1/2"W x 6 1/2"H	19"W x 6 5/32"H
Cabinet Bottom Panel	19 7/8"W x 23"D x 3/8"T	19 7/8"W x 23"D x 3/8"T
Back Panel	19 7/8"W x 31 3/8"H	19 7/8"W x 31 3/8"H
Shelf Count	1	1
Shelf Dimensions	19 5/16"W x 11 13/16"D	19 5/16"W x 11 13/16"D
Cabinet Inner Dimensions	19 1/2"W x 22 3/4"D x 22 1/8"H	19 1/2"W x 22 3/4"D x 22 1/8"H
Holes for Roll-Outs	6 sets / up to 2 RT	6 sets / up to 2 RT

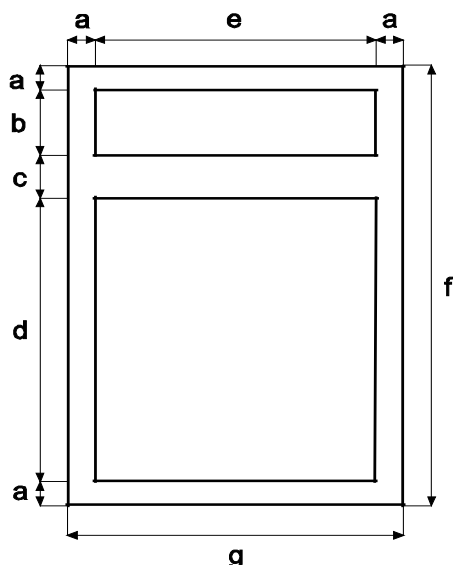
### **Drawer Box Specifications**

	Amesbury/ Quincy/ Plymouth	Bristol/ Salem
Drawer Inner Dimensions	16 1/8"W x 19 3/4"D x 3 1/4"H	15 3/4"W x 19 1/4"D x 3 1/8"H
Drawer Outer Dimensions	17 7/16"W x 21 1/8"D x 4"H	17"W x 20 1/2"D x 3 15/16"H
Drawer Bottom Panel	3/8" Thick	1/4" Thick

Drawer boxes come un-assembled.

## B24B

### **Face Frame Specifications**



	Amesbury/ Quincy/ Plymouth	Bristol/ Salem
a	1 1/2"	1 1/2"
b	5 5/32"	5 5/32"
c	1 1/2"	1 1/2"
d	20 11/32"	20 11/32"
e	21 "	21 "
f	30"	30"
g	24"	24"

### **Parts Specifications**

	Amesbury/ Quincy/ Plymouth	Bristol/ Salem
Door Size	11 11/16"W x 22 1/4"H	10 15/16"W x 21 1/4"H
Drawer Head Size	23 1/2"W x 6 1/2"H	22"W x 6 5/32"H
Cabinet Bottom Panel	22 7/8"W x 23"D x 3/8"T	22 7/8"W x 23"D x 3/8"T
Back Panel	22 7/8"W x 31 3/8"H	22 7/8"W x 31 3/8"H
Shelf Count	1	1
Shelf Dimensions	22 5/16"W x 11 13/16"D	22 5/16"W x 11 13/16"D
Cabinet Inner Dimensions	22 1/2"W x 22 3/4"D x 22 1/8"H	22 1/2"W x 22 3/4"D x 22 1/8"H
Holes for Roll-Outs	6 sets / up to 2 RT	6 sets / up to 2 RT

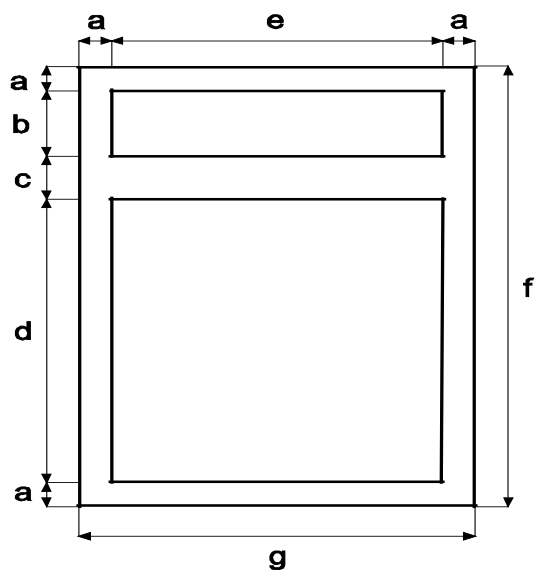
### **Drawer Box Specifications**

	Amesbury/ Quincy/ Plymouth	Bristol/ Salem
Drawer Inner Dimensions	19 1/8"W x 19 3/4"D x 3 1/4"H	18 3/4"W x 19 1/4"D x 3 1/8"H
Drawer Outer Dimensions	20 7/16"W x 21 1/8"D x 4"H	20"W x 20 1/2"D x 3 15/16"H
Drawer Bottom Panel	3/8" Thick	1/4" Thick

Drawer boxes come un-assembled.

## B27B

### Face Frame Specifications



	Amesbury/ Quincy/ Plymouth	Bristol/ Salem
a	1 1/2"	1 1/2"
b	5 5/32"	5 5/32"
c	1 1/2"	1 1/2"
d	20 11/32"	20 11/32"
e	24 "	24 "
f	30"	30"
g	27"	27"

### Parts Specifications

	Amesbury/ Quincy/ Plymouth	Bristol/ Salem
Door Size	13 3/16"W x 22 1/4"H	12 7/16" W x 21 1/4"H
Drawer Head Size	26 1/2"W x 6 1/2"H	25"W x 6 5/32"H
Cabinet Bottom Panel	25 7/8"W x 23"D x 3/8"T	25 7/8"W x 23"D x 3/8"T
Back Panel	25 7/8"W x 31 3/8"H	25 7/8"W x 31 3/8"H
Shelf Count	1	1
Shelf Dimensions	25 5/16"W x 11 13/16"D	25 5/16"W x 11 13/16"D
Cabinet Inner Dimensions	25 1/2"W x 22 3/4"D x 22 1/8"H	25 1/2"W x 22 3/4"D x 22 1/8"H
Holes for Roll-Outs	6 sets / up to 2 RT	6 sets / up to 2 RT

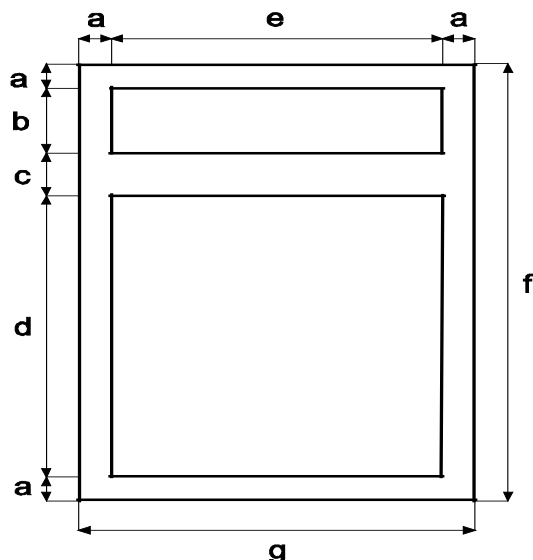
### Drawer Box Specifications

	Amesbury/ Quincy/ Plymouth	Bristol/ Salem
Drawer Inner Dimensions	22 1/8"W x 19 3/4"D x 3 1/4"H	21 3/4" W x 19 1/4"D x 3 1/8"H
Drawer Outer Dimensions	23 7/16"W x 21 1/8"D x 4"H	23"W x 20 1/2"D x 3 15/16"H
Drawer Bottom Panel	3/8" Thick	1/4" Thick

Drawer boxes come un-assembled.

## B30B

### Face Frame Specifications



	Amesbury/ Quincy/ Plymouth	Bristol/ Salem
a	1 1/2"	1 1/2"
b	5 5/32"	5 5/32"
c	1 1/2"	1 1/2"
d	20 11/32"	20 11/32"
e	27 "	27 "
f	30"	30"
g	30"	30"

### Parts Specifications

	Amesbury/ Quincy/ Plymouth	Bristol/ Salem
Door Size	14 11/16"W x 22 1/4"H	13 15/16"W x 21 1/4"H
Drawer Head Size	29 1/2"W x 6 1/2"H	28"W x 6 5/32"H
Cabinet Bottom Panel	28 7/8"W x 23"D x 3/8"T	28 7/8"W x 23"D x 3/8"T
Back Panel	28 7/8"W x 31 3/8"H	28 7/8"W x 31 3/8"H
Shelf Count	1	1
Shelf Dimensions	28 5/16"W x 11 13/16"D	28 5/16"W x 11 13/16"D
Cabinet Inner Dimensions	28 1/2"W x 22 3/4"D x 22 1/8"H	28 1/2"W x 22 3/4"D x 22 1/8"H
Holes for Roll-Outs	6 sets / up to 2 RT	6 sets / up to 2 RT

### Drawer Box Specifications

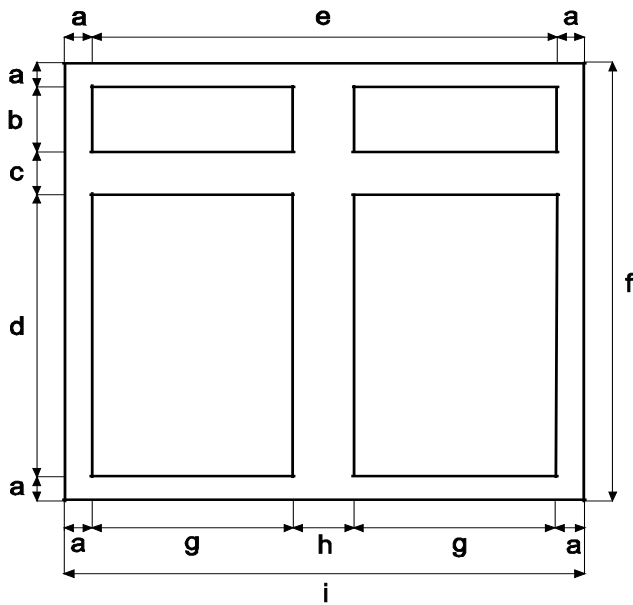
	Amesbury/ Quincy/ Plymouth	Bristol/ Salem
Drawer Inner Dimensions	25 1/8"W x 19 3/4"D x 3 1/4"H	24 3/4"W x 19 1/4"D x 3 1/8"H
Drawer Outer Dimensions	26 7/16"W x 21 1/8"D x 4"H	26"W x 20 1/2"D x 3 15/16"H
Drawer Bottom Panel	3/8" Thick	1/4" Thick

Drawer boxes come un-assembled.



## **B33**

### **Face Frame Specifications**



	Amesbury/ Quincy/ Plymouth	Bristol/ Salem
a	1 1/2"	1 1/2"
b	5 5/32"	5 5/32"
c	1 1/2"	1 1/2"
d	20 11/32"	20 11/32"
e	30"	30"
f	30"	30"
g	13 1/2"	13 1/2"
h	3"	3"
i	33"	33"

### **Parts Specifications**

	Amesbury/ Quincy/ Plymouth	Bristol/ Salem
Door Size	16"W x 22 1/4"H	14 1/2 "W x 21 1/4"H
Drawer Head Size	16"W x 6 1/2"H	14 1/2 "W x 6 5/32"H
Cabinet Bottom Panel	31 7/8"W x 23"D x 3/8"T	31 7/8"W x 23"D x 3/8"T
Back Panel	31 7/8"W x 31 3/8"H	31 7/8"W x 31 3/8"H
Shelf Count	1	1
Shelf Dimensions	31 5/16"W x 11 13/16"D	31 5/16"W x 11 13/16"D
Cabinet Inner Dimensions	31 1/2"W x 22 3/4"D x 22 1/8"H	31 1/2"W x 22 3/4"D x 22 1/8"H
Holes for Roll-Outs	N / A	N / A

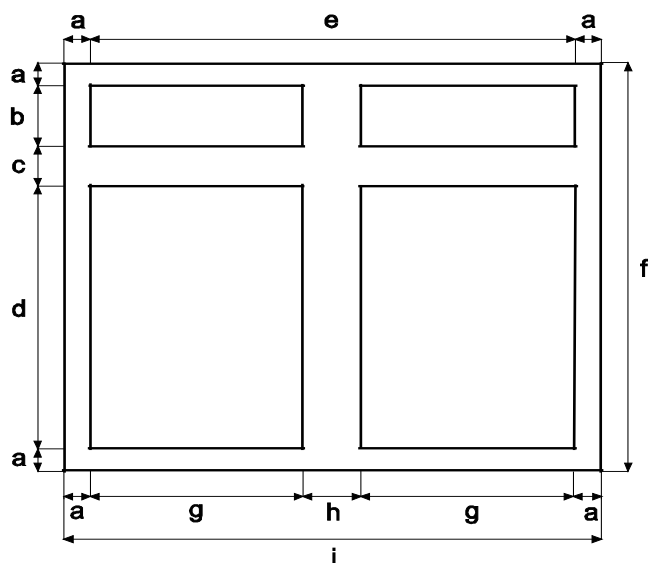
### **Drawer Box Specifications**

	Amesbury/ Quincy/ Plymouth	Bristol/ Salem
Drawer Inner Dimensions	11 9/16 "W x 19 3/4"D x 3 1/4"H	11 1/4"W x 19 1/4"D x 3 1/8"H
Drawer Outer Dimensions	26 7/16"W x 21 1/8"D x 4"H	12 1/2"W x 20 1/2"D x 3 15/16"H
Drawer Bottom Panel	3/8" Thick	1/4" Thick

Drawer boxes come un-assembled.

## **B36**

### **Face Frame Specifications**



	Amesbury/ Quincy/ Plymouth	Bristol/ Salem
a	1 1/2"	1 1/2"
b	5 5/32"	5 5/32"
c	1 1/2"	1 1/2"
d	20 11/32"	20 11/32"
e	33"	33"
f	30"	30"
g	15"	15"
h	3"	3"
i	36"	36"

### **Parts Specifications**

	Amesbury/ Quincy/ Plymouth	Bristol/ Salem
Door Size	17 1/2"W x 22 1/4"H	16"W x 21 1/4"H
Drawer Head Size	17 1/2"W x 6 1/2"H	16"W x 6 5/32"H
Cabinet Bottom Panel	34 7/8"W x 23"D x 3/8"T	34 7/8"W x 23"D x 3/8"T
Back Panel	34 7/8"W x 31 3/8"H	34 7/8"W x 31 3/8"H
Shelf Count	1	1
Shelf Dimensions	34 5/16"W x 11 13/16"D	34 5/16"W x 11 13/16"D
Cabinet Inner Dimensions	34 1/2"W x 22 3/4"D x 22 1/8"H	34 1/2"W x 22 3/4"D x 22 1/8"H
Holes for Roll-Outs	12 sets / up to 4 RT	12 sets / up to 4 RT

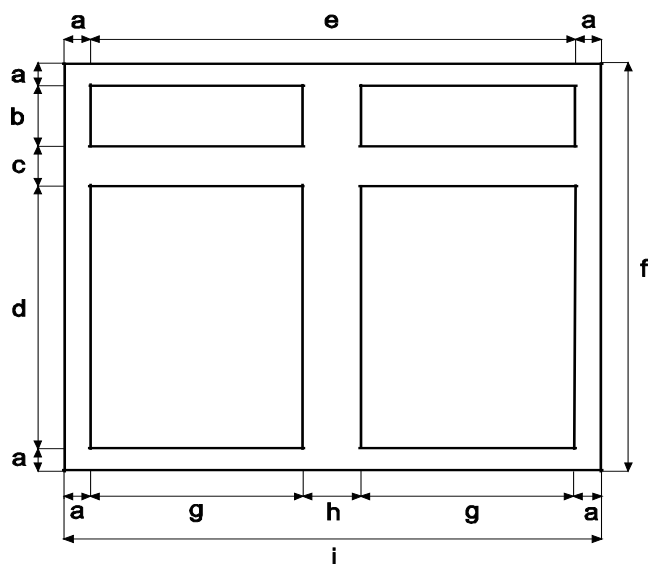
### **Drawer Box Specifications**

	Amesbury/ Quincy/ Plymouth	Bristol/ Salem
Drawer Inner Dimensions	13 1/8"W x 19 3/4"D x 3 1/4"H	12 3/4"W x 19 1/4"D x 3 1/8"H
Drawer Outer Dimensions	14 7/16"W x 21 1/8"D x 4"H	14"W x 20 1/2"D x 3 15/16"H
Drawer Bottom Panel	3/8" Thick	1/4" Thick

Drawer boxes come un-assembled.

## **B42**

### **Face Frame Specifications**



	Amesbury/ Quincy/ Plymouth	Bristol/ Salem
a	1 1/2"	1 1/2"
b	5 5/32"	5 5/32"
c	1 1/2"	1 1/2"
d	20 11/32"	20 11/32"
e	39"	39"
f	30"	30"
g	18"	18"
h	3"	3"
i	42"	42"

### **Parts Specifications**

	Amesbury/ Quincy/ Plymouth	Bristol/ Salem
Door Size	20 1/2"W x 22 1/4"H	19"W x 21 1/4"H
Drawer Head Size	20 1/2"W x 6 1/2"H	19"W x 6 5/32"H
Cabinet Bottom Panel	40 7/8"W x 23"D x 3/8"T	40 7/8"W x 23"D x 3/8"T
Back Panel	40 7/8"W x 31 3/8"H	40 7/8"W x 31 3/8"H
Shelf Count	1	1
Shelf Dimensions	40 5/16"W x 11 13/16"D	40 5/16"W x 11 13/16"D
Cabinet Inner Dimensions	40 1/2"W x 22 3/4"D x 22 1/8"H	40 1/2"W x 22 3/4"D x 22 1/8"H
Holes for Roll-Outs	12 sets / up to 4 RT	12 sets / up to 4 RT

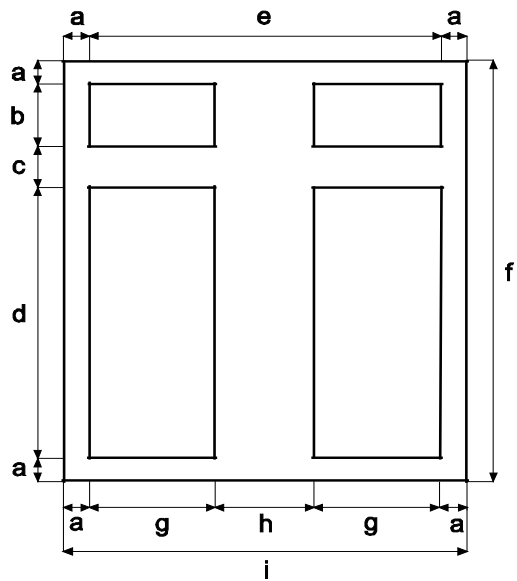
### **Drawer Box Specifications**

	Amesbury/ Quincy/ Plymouth	Bristol/ Salem
Drawer Inner Dimensions	16 1/8"W x 19 3/4"D x 3 1/4"H	15 3/4"W x 19 1/4"D x 3 1/8"H
Drawer Outer Dimensions	17 7/16"W x 21 1/8"D x 4"H	17"W x 20 1/2"D x 3 15/16"H
Drawer Bottom Panel	3/8" Thick	1/4" Thick

Drawer boxes come un-assembled.

## BBC36/39

### Face Frame Specifications



	Amesbury/ Quincy/ Plymouth	Bristol/ Salem
a	1 1/2"	1 1/2"
b	5 5/32"	5 5/32"
c	1 1/2"	1 1/2"
d	20 11/32"	20 11/32"
e	24"	24"
f	30"	30"
g	9"	9"
h	6"	6"
i	27"	27"

### Parts Specifications

	Amesbury/ Quincy/ Plymouth	Bristol/ Salem
Door Size	11 1/2"W x 22 1/4"H	10"W x 21 1/4"H
Drawer Head Size	11 1/2"W x 6 1/2"H	10"W x 6 5/32"H
Cabinet Bottom Panel	25 7/8"W x 23"D x 3/8"T	25 7/8"W x 23"D x 3/8"T
Back Panel	25 7/8"W x 31 3/8"H	25 7/8"W x 31 3/8"H
Shelf Count	1	1
Shelf Dimensions	25 5/16"W x 11 13/16"D	25 5/16"W x 11 13/16"D
Cabinet Inner Dimensions	25 1/2"W x 22 3/4"D x 22 1/8"H	25 1/2"W x 22 3/4"D x 22 1/8"H
Holes for Roll-Outs	None	None

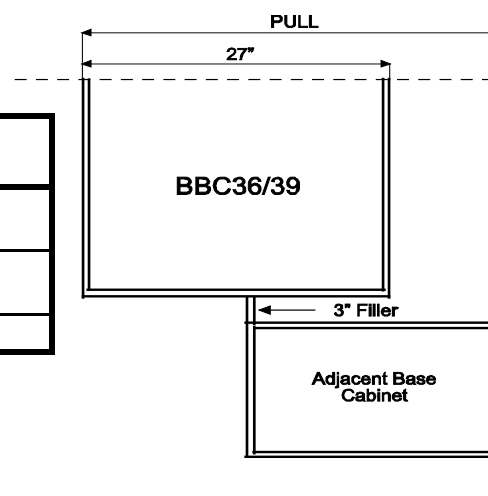
### Drawer Box Specifications

	Amesbury/ Quincy/ Plymouth	Bristol/ Salem
Drawer Inner Dimensions	7 1/8"W x 19 3/4"D x 3 1/4"H	6 3/4"W x 19 1/4"D x 3 1/8"H
Drawer Outer Dimensions	8 7/16"W x 21 1/8"D x 4"H	8"W x 20 1/2"D x 3 15/16"H
Drawer Bottom Panel	3/8" Thick	1/4" Thick

Drawer boxes come un-assembled.

### Installation Information

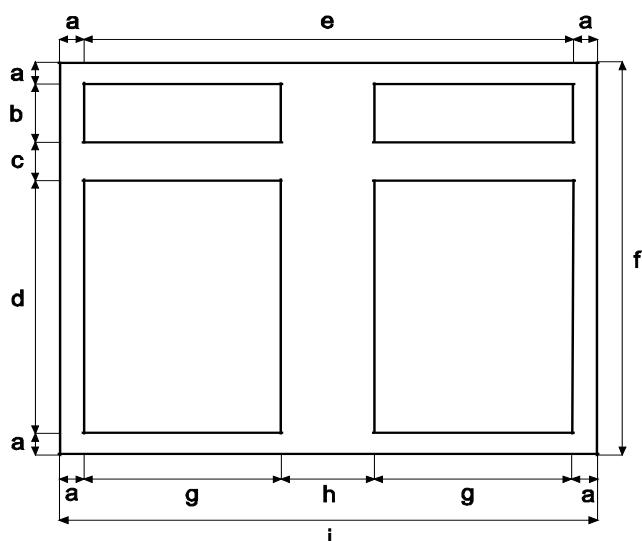
	Amesbury/ Quincy/ Plymouth	Bristol/ Salem
• Recommended Pull: (with Hardware)	38 1/2" - 39"	37" - 39"
• Minimum distance from the corner when installed.	11 1/2"	10"
• Maximum Pull:	40"	40"



- 3" filler is sold separately (WF3).
- Cabinet is reversible, to make the unit a left/right blind.

## BBC42/45

### Face Frame Specifications



	Amesbury/ Quincy/ Plymouth	Bristol/ Salem
a	1 1/2"	1 1/2"
b	5 5/32"	5 5/32"
c	1 1/2"	1 1/2"
d	20 11/32"	20 11/32"
e	36"	36"
f	30"	30"
g	15"	15"
h	6"	6"
i	39"	39"

### Parts Specifications

	Amesbury/ Quincy/ Plymouth	Bristol/ Salem
Door Size	17 1/2"W x 22 1/4"H	16"W x 21 1/4"H
Drawer Head Size	17 1/2"W x 6 1/2"H	16"W x 6 5/32"H
Cabinet Bottom Panel	37 7/8"W x 23"D x 3/8"T	37 7/8"W x 23"D x 3/8"T
Back Panel	37 7/8"W x 31 3/8"H	37 7/8"W x 31 3/8"H
Shelf Count	1	1
Shelf Dimensions	37 5/16"W x 11 13/16"D	37 5/16"W x 11 13/16"D
Cabinet Inner Dimensions	37 1/2"W x 22 3/4"D x 22 1/8"H	37 1/2"W x 22 3/4"D x 22 1/8"H
Holes for Roll-Outs	None	None

### Drawer Box Specifications

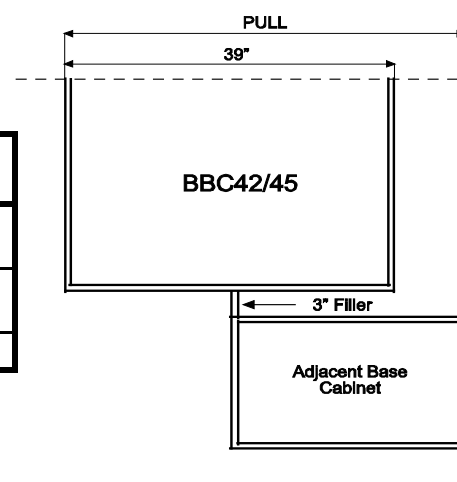
	Amesbury/ Quincy/ Plymouth	Bristol/ Salem
Drawer Inner Dimensions	13 1/8"W x 19 3/4"D x 3 1/4"H	12 3/4"W x 19 1/4"D x 3 1/8"H
Drawer Outer Dimensions	14 7/16"W x 21 1/8"D x 4"H	14"W x 20 1/2"D x 3 15/16"H
Drawer Bottom Panel	3/8" Thick	1/4" Thick

Drawer boxes come un-assembled.

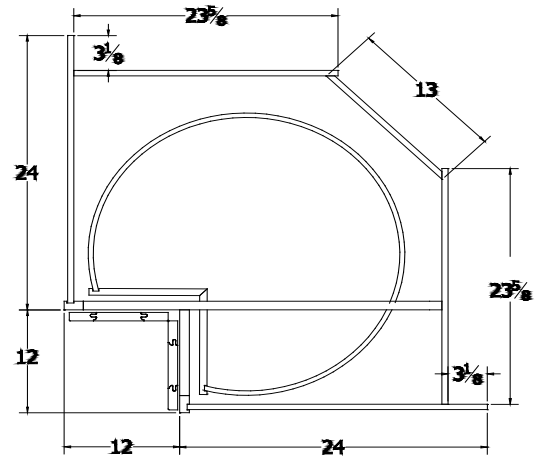
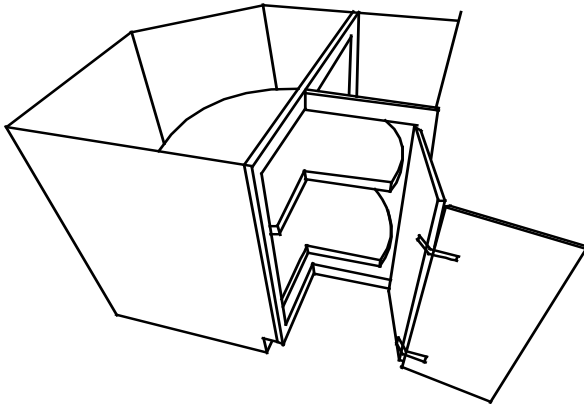
### Installation Information

	Amesbury/ Quincy/ Plymouth	Bristol/ Salem
• Recommended Pull: (with Hardware)	44 1/2" - 45"	43" - 45"
• Minimum distance from the corner when installed.	5 1/2"	4"
• Maximum Pull:	46"	46"

- 3" filler is sold separately (WF3).
- Cabinet is reversible, to make the unit a left/right blind.



## LS36



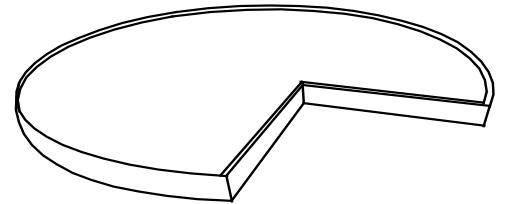
### Parts Specifications

	Amesbury/ Quincy/ Plymouth	Bristol/ Salem
Inner Door Size	10 <sup>13</sup> / <sub>16</sub> "W x 29"H	10 <sup>5</sup> / <sub>16</sub> "W x 28"H
Outer Door Size	10 <sup>13</sup> / <sub>16</sub> "W x 29"H	10 <sup>5</sup> / <sub>16</sub> "W x 28"H
Door Opening	15"	15"

- Lazy Susan can be assembled with doors open to the right or assembled with doors open to left.

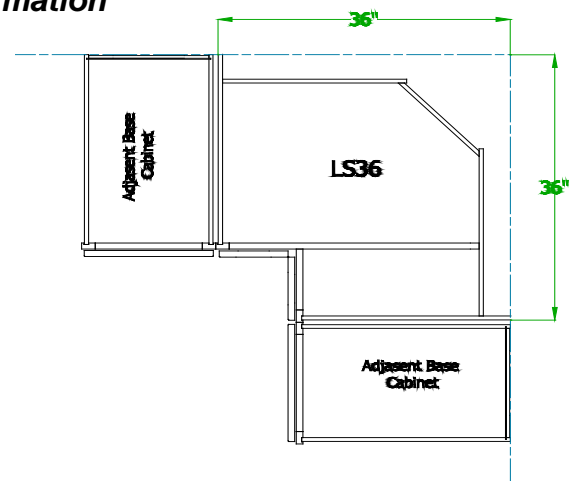
### Turning Shelf Specifications

	Amesbury/ Quincy/ Plymouth	Bristol/ Salem
Turning Shelf Count:	2	2
Turning Shelf Diameter:	25 <sup>5</sup> / <sub>8</sub> "	25 <sup>5</sup> / <sub>8</sub> "
Turning Shelf Thickness:	<sup>5</sup> / <sub>8</sub> "	<sup>5</sup> / <sub>8</sub> "
Turning Shelf Rim Height:	1 <sup>3</sup> / <sub>8</sub> "	1 <sup>3</sup> / <sub>8</sub> "
Turning Shelf Cutout:	8 <sup>5</sup> / <sub>8</sub> " x 8 <sup>5</sup> / <sub>8</sub> "	8 <sup>5</sup> / <sub>8</sub> " x 8 <sup>5</sup> / <sub>8</sub> "
Max object height:	12" on both shelves	12" on both shelves

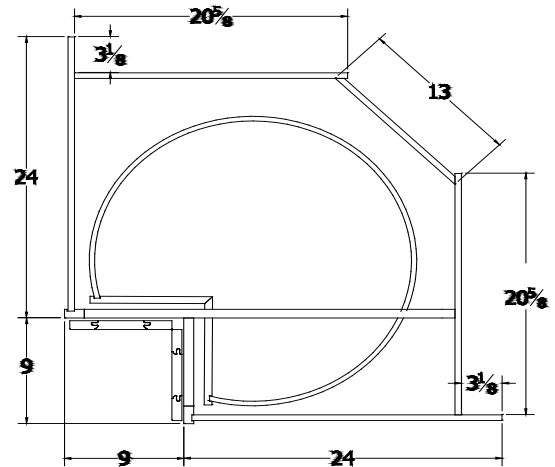
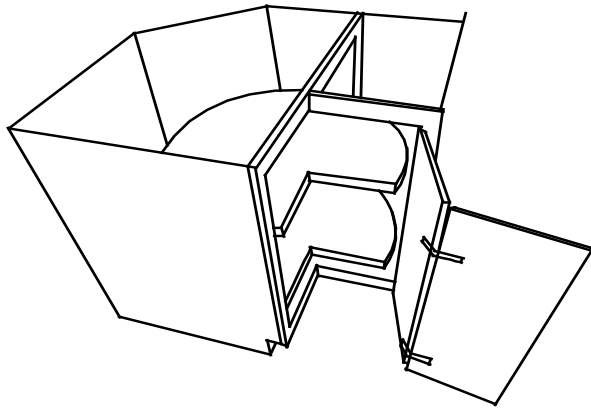


### Installation Information

- Lazy Susan cabinets require 36" room from the corner in each direction for installation.



## LS33



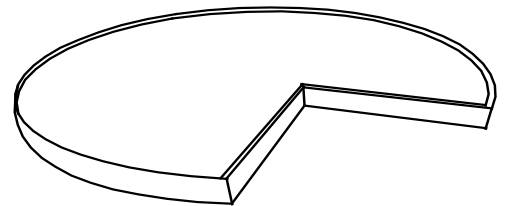
### Parts Specifications

	Amesbury/ Quincy/ Plymouth	Bristol/ Salem
Inner Door Size	7 3/4" W x 29" H	N / A
Outer Door Size	7 3/4" W x 29" H	N / A
Door Opening	10 5/8"	N / A

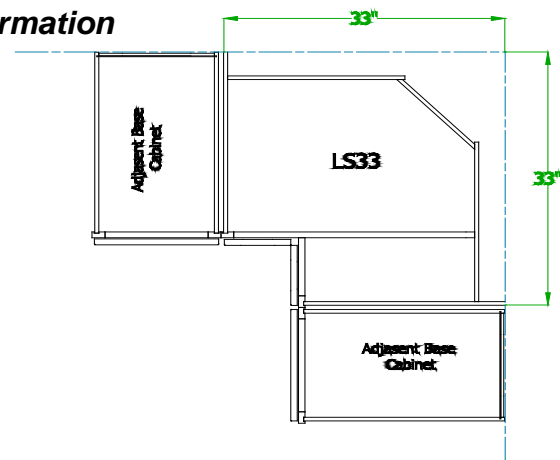
- Lazy Susan can be assembled with doors open to the right or assembled with doors open to left.

### Turning Shelf Specifications

	Amesbury/ Quincy/ Plymouth	Bristol/ Salem
Turning Shelf Count:	2	N / A
Turning Shelf Diameter:	25 5/8"	N / A
Turning Shelf Thickness:	5/8"	N / A
Turning Shelf Rim Height:	1 3/8"	N / A
Turning Shelf Cutout:	8 5/8" x 8 5/8"	N / A
Max object height:	12" on both shelves	N / A



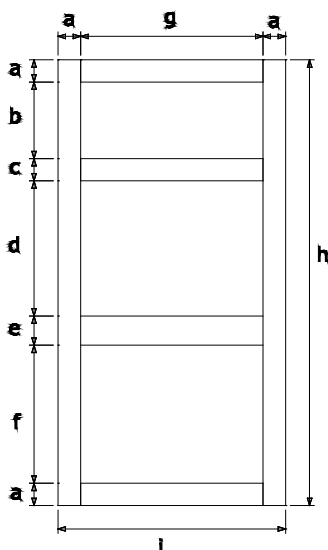
### Installation Information



- Lazy Susan cabinets require 33" room from the corner in each direction for installation.

## DB12

### **Face Frame Specifications**



	Amesbury/ Quincy/ Plymouth	Bristol/ Salem
a	1 1/2"	1 1/2"
b	5 5/32"	5 5/32"
c	1 1/2"	1 9/16"
d	9 1/16"	9 3/8"
e	2"	1 9/16"
f	9 9/32"	9 11/32"
g	9"	9"
h	30"	30"
i	12"	12"

### **Parts Specifications**

	Amesbury/ Quincy/ Plymouth	Bristol/ Salem
Top Drawer Head Size	11 1/2"W x 6 1/2"H	10"W x 6 5/32"H
Bottom Drawer Head Size	11 1/2"W x 11"H	10"W x 10 5/16"H
Cabinet Bottom Panel	10 7/8"W x 23"D x 3/8"T	10 7/8"W x 23"D x 1/8"T
Back Panel	10 7/8"W x 32 1/4"H	10 7/8"W x 32 1/4"H

### **Drawer Box Specifications**

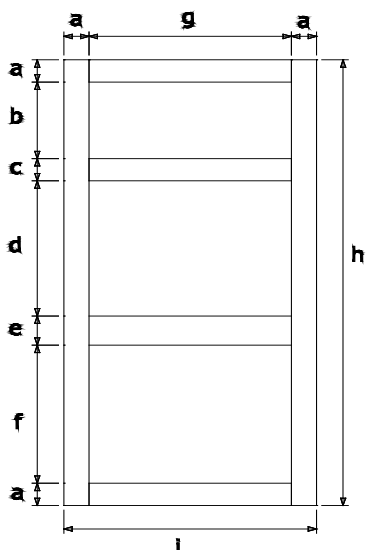
	Amesbury/ Quincy/ Plymouth	Bristol/ Salem
Top Drawer Inner Dim.	7 1/8"W x 19 3/4"D x 3 1/4" H	6 3/4"W x 19 1/4"D x 3 1/8"H
Bottom Drawer Inner Dim.	7 1/8"W x 19 3/4"D x 7" H	6 3/4"W x 19 1/4"D x 6 7/8"H
Top Drawer Outer Dim.	8 7/16"W x 21 1/8"D x 4" H	8"W x 20 1/2"D x 3 15/16"H
Bottom Drawer Outer Dim.	8 7/16"W x 21 1/8"D x 7 3/4" H	8"W x 20 1/2"D x 7 11/16" H
Drawer Bottom Panel	3/8" Thick	1/4" Thick

Drawer boxes come un-assembled.



## DB15

### **Face Frame Specifications**



	Amesbury/ Quincy/ Plymouth	Bristol/ Salem
a	1 1/2"	1 1/2"
b	5 5/32"	5 5/32"
c	1 1/2"	1 9/16"
d	9 1/16"	9 3/8"
e	2"	1 9/16"
f	9 9/32"	9 11/32"
g	12"	12"
h	30"	30"
i	15"	15"

### **Parts Specifications**

	Amesbury/ Quincy/ Plymouth	Bristol/ Salem
Top Drawer Head Size	14 1/2"W x 6 1/2"H	13"W x 6 5/32"H
Bottom Drawer Head Size	14 1/2"W x 11"H	13"W x 10 5/16"H
Cabinet Bottom Panel	13 7/8"W x 23"D x 3/8"T	13 7/8"W x 23"D x 1/8"T
Back Panel	13 7/8"W x 32 1/4"H	13 7/8"W x 32 1/4"H

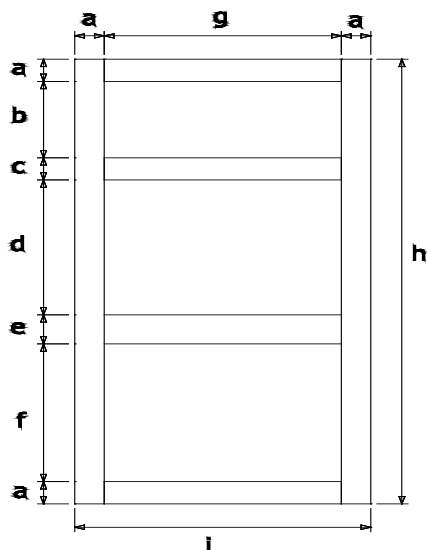
### **Drawer Box Specifications**

	Amesbury/ Quincy/ Plymouth	Bristol/ Salem
Top Drawer Inner Dim.	10 1/8"W x 19 3/4"D x 3 1/4" H	9 3/4"W x 19 1/4"D x 3 1/8"H
Bottom Drawer Inner Dim.	10 1/8"W x 19 3/4"D x 7" H	9 3/4"W x 19 1/4"D x 6 7/8"H
Top Drawer Outer Dim.	11 7/16"W x 21 1/8"D x 4" H	11"W x 20 1/2"D x 3 15/16"H
Bottom Drawer Outer Dim.	11 7/16"W x 21 1/8"D x 7 3/4" H	11"W x 20 1/2"D x 7 11/16"H
Drawer Bottom Panel	3/8" Thick	1/4" Thick

Drawer boxes come un-assembled.

## DB18

### **Face Frame Specifications**



	Amesbury/ Quincy/ Plymouth	Bristol/ Salem
a	1 1/2"	1 1/2"
b	5 5/32"	5 5/32"
c	1 1/2"	1 9/16"
d	9 1/16"	9 3/8"
e	2"	1 9/16"
f	9 9/32"	9 11/32"
g	15"	15"
h	30"	30"
i	18"	18"

### **Parts Specifications**

	Amesbury/ Quincy/ Plymouth	Bristol/ Salem
Top Drawer Head Size	17 1/2"W x 6 1/2"H	16"W x 6 5/32"H
Bottom Drawer Head Size	17 1/2"W x 11"H	16"W x 10 5/16"H
Cabinet Bottom Panel	16 7/8"W x 23"D x 3/8"T	16 7/8"W x 23"D x 1/8"T
Back Panel	16 7/8"W x 32 1/4"H	16 7/8"W x 32 1/4"H

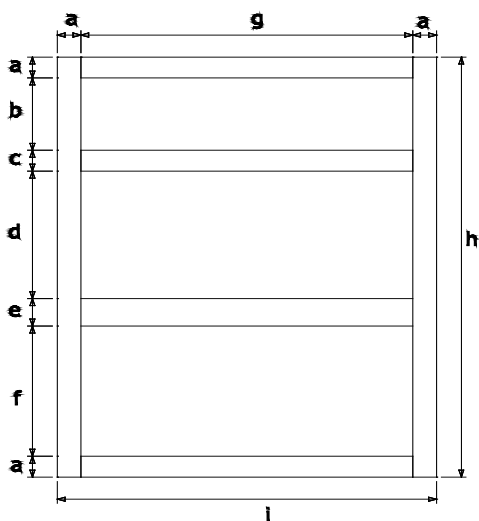
### **Drawer Box Specifications**

	Amesbury/ Quincy/ Plymouth	Bristol/ Salem
Top Drawer Inner Dim.	13 1/8"W x 19 3/4"D x 3 1/4" H	12 3/4"W x 19 1/4"D x 3 1/8"H
Bottom Drawer Inner Dim.	13 1/8"W x 19 3/4"D x 7" H	12 3/4"W x 19 1/4"D x 6 7/8"H
Top Drawer Outer Dim.	14 7/16"W x 21 1/8"D x 4" H	14"W x 20 1/2"D x 3 15/16"H
Bottom Drawer Outer Dim.	14 7/16"W x 21 1/8"D x 7 3/4" H	14"W x 20 1/2"D x 7 11/16" H
Drawer Bottom Panel	3/8" Thick	1/4" Thick

Drawer boxes come un-assembled.

## DB24

### Face Frame Specifications



	Amesbury/ Quincy/ Plymouth	Bristol/ Salem
a	1 1/2"	1 1/2"
b	5 5/32"	5 5/32"
c	1 1/2"	1 9/16"
d	9 1/16"	9 3/8"
e	2"	1 9/16"
f	9 9/32"	9 11/32"
g	21"	21"
h	30"	30"
i	24"	24"

### Parts Specifications

	Amesbury/ Quincy/ Plymouth	Bristol/ Salem
Top Drawer Head Size	23 1/2"W x 6 1/2"H	22"W x 6 5/32"H
Bottom Drawer Head Size	23 1/2"W x 11"H	22"W x 10 5/16"H
Cabinet Bottom Panel	22 7/8"W x 23"D x 3/8"T	22 7/8"W x 23"D x 1/8"T
Back Panel	22 7/8"W x 32 1/4"H	22 7/8"W x 32 1/4"H

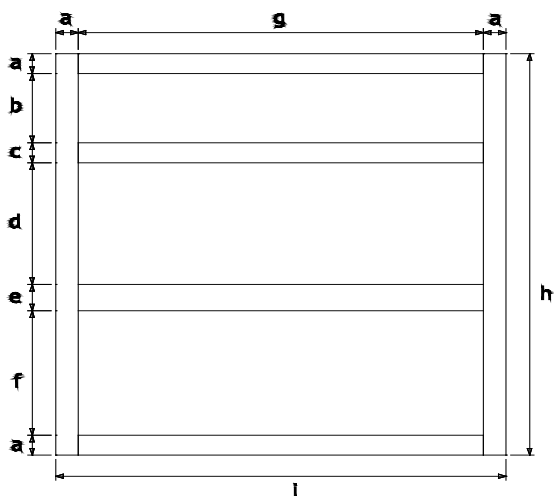
### Drawer Box Specifications

	Amesbury/ Quincy/ Plymouth	Bristol/ Salem
Top Drawer Inner Dim.	19 1/8"W x 19 3/4"D x 3 1/4" H	18 3/4"W x 19 1/4"D x 3 1/8"H
Bottom Drawer Inner Dim.	19 1/8"W x 19 3/4"D x 7" H	18 3/4"W x 19 1/4"D x 6 7/8"H
Top Drawer Outer Dim.	20 7/16"W x 21 1/8"D x 4" H	20"W x 20 1/2"D x 3 15/16"H
Bottom Drawer Outer Dim.	20 7/16"W x 21 1/8"D x 7 3/4" H	20"W x 20 1/2"D x 7 11/16"H
Drawer Bottom Panel	3/8" Thick	1/4" Thick

Drawer boxes come un-assembled.

## DB30

### Face Frame Specifications



	Amesbury/ Quincy/ Plymouth	Bristol/ Salem
a	1 1/2"	1 1/2"
b	5 5/32"	5 5/32"
c	1 1/2"	1 9/16"
d	9 1/16"	9 3/8"
e	2"	1 9/16"
f	9 9/32"	9 11/32"
g	27"	27"
h	30"	30"
i	30"	30"

### Parts Specifications

	Amesbury/ Quincy/ Plymouth	Bristol/ Salem
Top Drawer Head Size	29 1/2"W x 6 1/2"H	28"W x 6 5/32"H
Bottom Drawer Head Size	29 1/2"W x 11"H	28"W x 10 5/16"H
Cabinet Bottom Panel	28 7/8"W x 23"D x 3/8"T	28 7/8"W x 23"D x 1/8"T
Back Panel	28 7/8"W x 32 1/4"H	28 7/8"W x 32 1/4"H

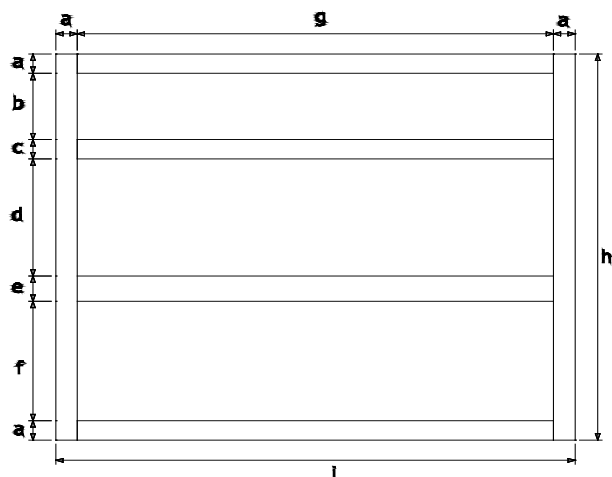
### Drawer Box Specifications

	Amesbury/ Quincy/ Plymouth	Bristol/ Salem
Top Drawer Inner Dim.	25 1/8"W x 19 3/4"D x 3 1/4" H	24 3/4"W x 19 1/4"D x 3 1/8"H
Bottom Drawer Inner Dim.	25 1/8"W x 19 3/4"D x 7" H	24 3/4"W x 19 1/4"D x 6 7/8"H
Top Drawer Outer Dim.	26 7/16"W x 21 1/8"D x 4" H	26"W x 20 1/2"D x 3 15/16"H
Bottom Drawer Outer Dim.	26 7/16"W x 21 1/8"D x 7 3/4" H	26"W x 20 1/2"D x 7 11/16"H
Drawer Bottom Panel	3/8" Thick	1/4" Thick

Drawer boxes come un-assembled.

## DB36

### **Face Frame Specifications**



	Amesbury/ Quincy/ Plymouth	Bristol/ Salem
a	1 1/2"	1 1/2"
b	5 5/32"	5 5/32"
c	1 1/2"	1 9/16"
d	9 1/16"	9 3/8"
e	2"	1 9/16"
f	9 9/32"	9 11/32"
g	33"	33"
h	30"	30"
i	36"	36"

### **Parts Specifications**

	Amesbury/ Quincy/ Plymouth	Bristol/ Salem
Top Drawer Head Size	35 1/2"W x 6 1/2"H	34"W x 6 5/32"H
Bottom Drawer Head Size	35 1/2"W x 11"H	34"W x 10 5/16"H
Cabinet Bottom Panel	34 7/8"W x 23"D x 3/8"T	34 7/8"W x 23"D x 1/8"T
Back Panel	34 7/8"W x 32 1/4"H	34 7/8"W x 32 1/4"H

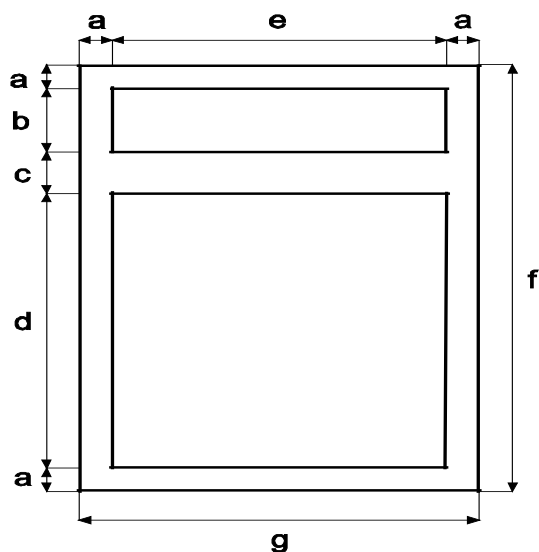
### **Drawer Box Specifications**

	Amesbury/ Quincy/ Plymouth	Bristol/ Salem
Top Drawer Inner Dim.	31 1/8"W x 19 3/4"D x 3 1/4" H	30 3/4"W x 19 1/4"D x 3 1/8"H
Bottom Drawer Inner Dim.	31 1/8"W x 19 3/4"D x 7" H	30 3/4"W x 19 1/4"D x 6 7/8"H
Top Drawer Outer Dim.	32 7/16"W x 21 1/8"D x 4" H	32"W x 20 1/2"D x 3 15/16"H
Bottom Drawer Outer Dim.	32 7/16"W x 21 1/8"D x 7 3/4" H	32"W x 20 1/2"D x 7 11/16"H
Drawer Bottom Panel	3/8" Thick	1/4" Thick

Drawer boxes come un-assembled.

## SB24B

### Face Frame Specifications



	Amesbury/ Quincy/ Plymouth	Bristol/ Salem
a	1 1/2"	1 1/2"
b	5 5/32"	5 5/32"
c	1 1/2"	1 1/2"
d	20 11/32"	20 11/32"
e	21"	21"
f	30"	30"
g	24"	24"

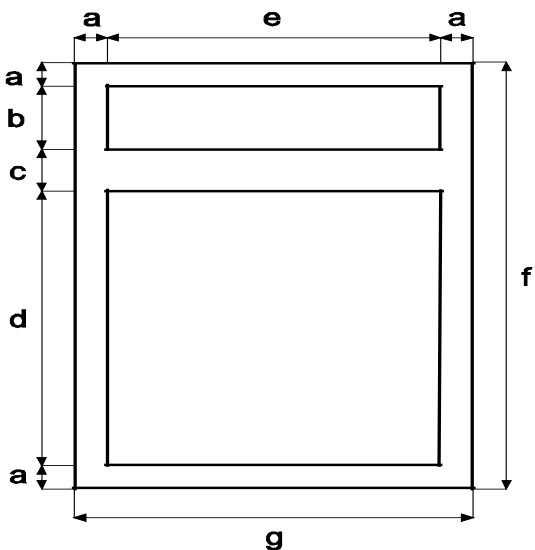
### Parts Specifications

	Amesbury/ Quincy/ Plymouth	Bristol/ Salem
Door Size	11 11/16"W x 22 1/4"H	10 15/16"W x 21 1/4"H
False Drawer Head Size	23 1/2"W x 6 1/2"H	22"W x 6 5/32"H
Cabinet Bottom Panel	22 7/8"W x 23"D x 3/8"T	22 7/8"W x 23"D x 3/8"T
Back Panel	22 7/8"W x 31 3/8"H	22 7/8"W x 31 3/8"H
Shelf	None	None
Cabinet Inner Dimensions	22 1/2"W x 22 3/4"D x 28 3/4"H	22 1/2"W x 22 3/4"D x 28 3/4"H
Holes for Roll-Outs	N/A	N/A

- Using B24B cabinet box to convert to Sink Base.
- For knock down (Unassembled) the drawer head is NOT fasten to the frame.
- FULL back panel

## SB27B

### Face Frame Specifications



	Amesbury/ Quincy/ Plymouth	Bristol/ Salem
a	1 1/2"	1 1/2"
b	5 5/32"	5 5/32"
c	1 1/2"	1 1/2"
d	20 11/32"	20 11/32"
e	24"	24"
f	30"	30"
g	27"	27"

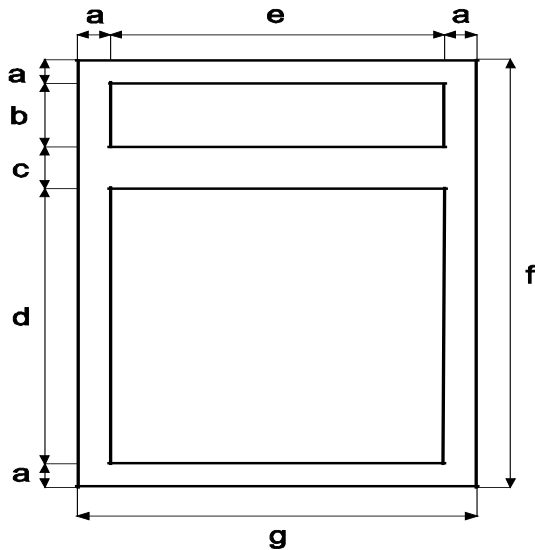
### Parts Specifications

	Amesbury/ Quincy/ Plymouth	Bristol/ Salem
Door Size	13 3/16"W x 22 1/4"H	12 7/16"W x 21 1/4"H
False Drawer Head Size	26 1/2"W x 6 1/2"H	25"W x 6 5/32"H
Cabinet Bottom Panel	25 7/8"W x 23"D x 3/8"T	25 7/8"W x 23"D x 3/8"T
Back Panel	25 7/8"W x 31 3/8"H	25 7/8"W x 31 3/8"H
Shelf	None	None
Cabinet Inner Dimensions	25 1/2"W x 22 3/4"D x 28 3/4"H	25 1/2"W x 22 3/4"D x 28 3/4"H
Holes for Roll-Outs	N/A	N/A

- Using B27B cabinet box to convert to Sink Base.
- For knock down (Unassembled) the drawer head is NOT fasten to the frame.
- FULL back panel

## SB30B

### Face Frame Specifications



	Amesbury/ Quincy/ Plymouth	Bristol/ Salem
a	1 1/2"	1 1/2"
b	5 5/32"	5 5/32"
c	1 1/2"	1 1/2"
d	20 11/32"	20 11/32"
e	27"	27"
f	30"	30"
g	30"	30"

### Parts Specifications

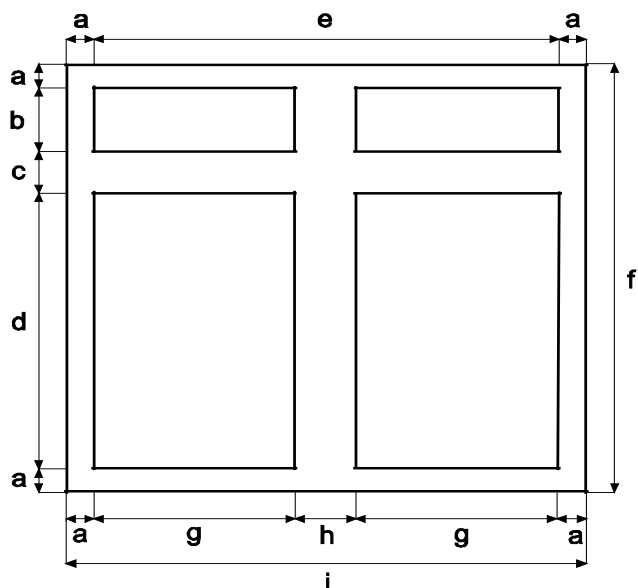
	Amesbury/ Quincy/ Plymouth	Bristol/ Salem
Door Size	14 11/16"W x 22 1/4"H	13 15/16"W x 21 1/4"H
False Drawer Head Size	29 1/2"W x 6 1/2"H	28"W x 6 5/32"H
Cabinet Bottom Panel	28 7/8"W x 23"D x 3/8"T	28 7/8"W x 23"D x 3/8"T
Back Panel	Open back	Open back
Shelf	None	None
Cabinet Inner Dimensions	28 1/2"W x 22 3/4"D x 28 3/4"H	28 1/2"W x 22 3/4"D x 28 3/4"H
Holes for Roll-Outs	N/A (Open back)	N/A (Open back)

- Drawer is false (non-working), fastened to the face frame.



## SB33

### Face Frame Specifications



	Amesbury/ Quincy/ Plymouth	Bristol/ Salem
a	1 1/2"	1 1/2"
b	5 5/32"	5 5/32"
c	1 1/2"	1 1/2"
d	20 11/32"	20 11/32"
e	30"	30"
f	30"	30"
g	13 1/2"	13 1/2"
h	3"	3"
i	33"	33"

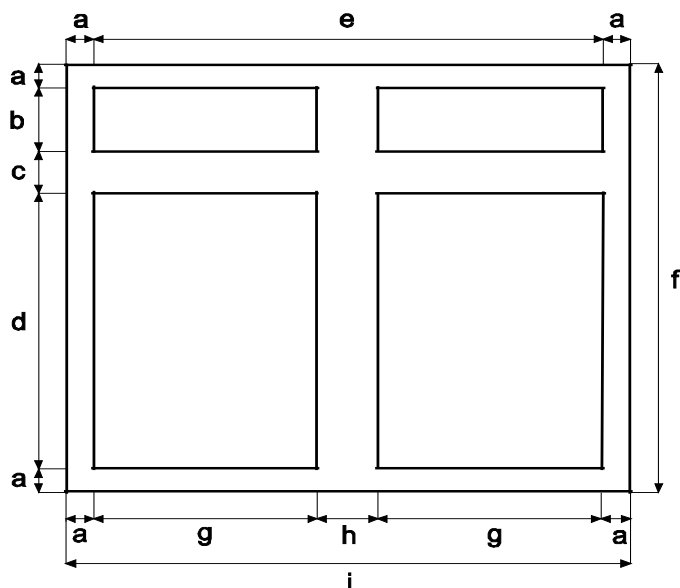
### Parts Specifications

	Amesbury/ Quincy/ Plymouth	Bristol/ Salem
Door Size	16"W x 22 1/4"H	14 1/2 "W x 21 1/4"H
False Drawer Head Size	16"W x 6 1/2"H	14 1/2 "W x 6 5/32"H
Cabinet Bottom Panel	31 7/8"W x 23"D x 3/8"T	31 7/8"W x 23"D x 3/8"T
Back Panel	Open back (no Back Panel)	Open back (no Back Panel)
Shelf	None	None
Cabinet Inner Dimensions	31 1/2"W x 22 3/4"D x 28 3/4"H	31 1/2"W x 22 3/4"D x 28 3/4"H
Holes for Roll-Outs	N/A (Open back)	N/A (Open back)

- Drawers is false (non-working), fastened to the face frame.

## SB36

### Face Frame Specifications



	Amesbury/ Quincy/ Plymouth	Bristol/ Salem
a	1 1/2"	1 1/2"
b	5 5/32"	5 5/32"
c	1 1/2"	1 1/2"
d	20 11/32"	20 11/32"
e	33"	33"
f	30"	30"
g	15"	15"
h	3"	3"
i	36"	36"

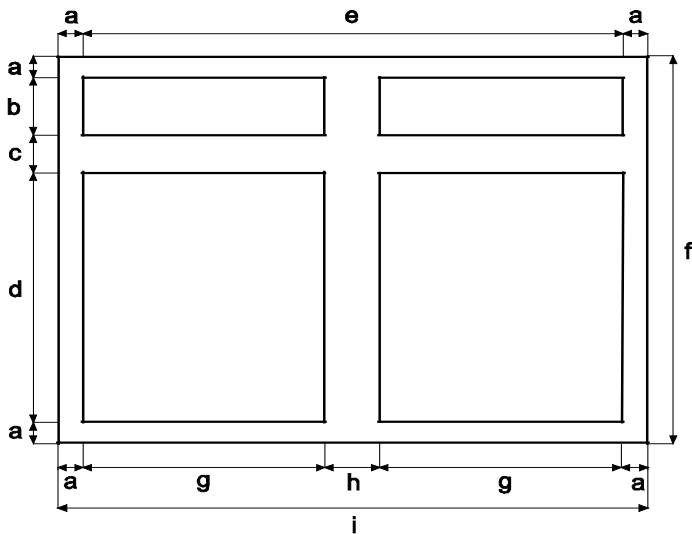
### Parts Specifications

	Amesbury/ Quincy/ Plymouth	Bristol/ Salem
Door Size	17 1/2"W x 22 1/4"H	16"W x 21 1/4"H
False Drawer Head Size	17 1/2"W x 6 1/2"H	16"W x 6 5/32"H
Cabinet Bottom Panel	34 7/8"W x 23"D x 3/8"T	34 7/8"W x 23"D x 3/8"T
Back Panel	Open back (no Back Panel)	Open back (no Back Panel)
Shelf	None	None
Cabinet Inner Dimensions	34 1/2"W x 22 3/4"D x 28 3/4"H	34 1/2"W x 22 3/4"D x 28 3/4"H
Holes for Roll-Outs	N/A (Open back)	N/A (Open back)

- Drawers is false (non-working), fastened to the face frame.

## SB42

### Face Frame Specifications



	Amesbury/ Quincy/ Plymouth	Bristol/ Salem
a	1 1/2"	1 1/2"
b	5 5/32"	5 5/32"
c	1 1/2"	1 1/2"
d	20 11/32"	20 11/32"
e	39"	39"
f	30"	30"
g	18"	18"
h	3"	3"
i	42"	42"

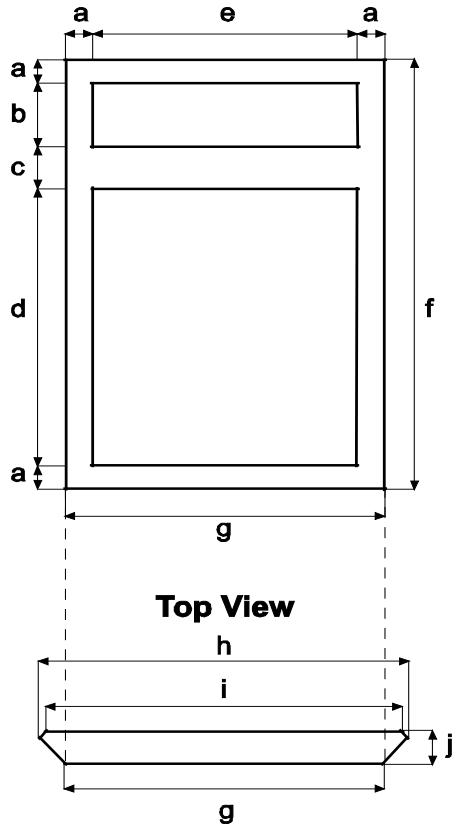
### Parts Specifications

	Amesbury/ Quincy/ Plymouth	Bristol/ Salem
Door Size	20 1/2"W x 22 1/4"H	19"W x 21 1/4"H
False Drawer Head Size	20 1/2"W x 6 1/2"H	19"W x 6 5/32"H
Cabinet Bottom Panel	40 7/8"W x 23"D x 3/8"T	40 7/8"W x 23"D x 3/8"T
Back Panel	Open back (no Back Panel)	Open back (no Back Panel)
Shelf	None	None
Cabinet Inner Dimensions	40 1/2"W x 22 3/4"D x 28 3/4"H	40 1/2"W x 22 3/4"D x 28 3/4"H
Holes for Roll-Outs	N/A (Open back)	N/A (Open back)

- Drawer is false (non-working), fastened to the face frame.

## CSF36

### Face Frame Specifications



	Amesbury/ Quincy/ Plymouth	Bristol/ Salem
a	1 1/2"	1 1/2"
b	5 5/32"	5 5/32"
c	1 1/2"	1 1/2"
d	20 11/32"	20 11/32"
e	14 1/16"	14 1/16"
f	30"	30"
g	17"	17"
h	18 1/16"	18 1/16"
i	17 11/16"	17 11/16"
j	3/4"	3/4"

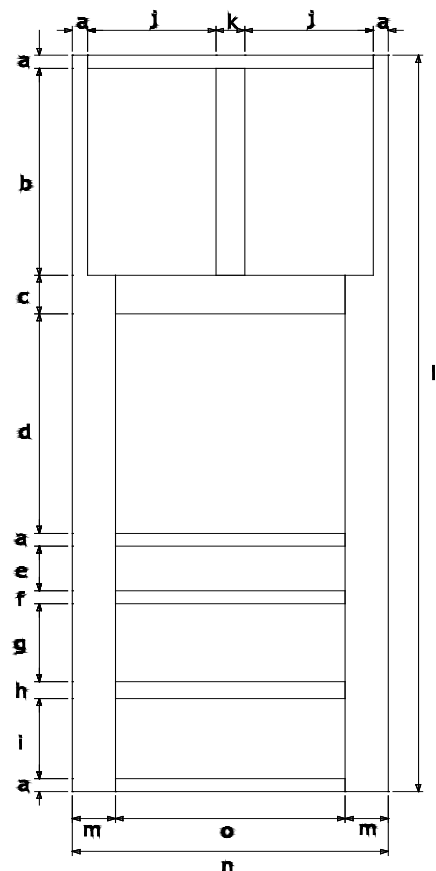
### Parts Specifications

	Amesbury/ Quincy/ Plymouth	Bristol/ Salem
Door Size	15"W x 22 1/4"H	14 15/16"W x 21 1/2"H
Fake Drawer Head Size	15"W x 6 1/2"H	14 15/16"W x 6 5/32"H

- A 4 1/2" toe kick is included
- A 36" x 36" space is required in the corner to install CSF36
- Floor not included

## OC3384

### Face Frame Specifications



	Amesbury/ Quincy/ Plymouth	Bristol/ Salem
a	1 1/2"	N/A
b	18"	N/A
c	4 1/2"	N/A
d	25 1/2"	N/A
e	5 5/32"	N/A
f	1 1/2"	N/A
g	9 1/16"	N/A
h	2"	N/A
i	9 9/32"	N/A
j	13 3/8"	N/A
k	3"	N/A
l	79 1/2"	N/A
m	4 1/2"	N/A
n	33"	N/A
o	24"	N/A

- Maximum single oven size: 30"W x 28"H
- Maximum double oven size: 30"W x 56"H

### Parts Specifications

	Amesbury/ Quincy/ Plymouth	Bristol/ Salem
Door Size	16"W x 19 3/4"H	N/A
Top Drawer Head Size	32 1/2"W x 6 1/2"H	N/A
Bottom Drawer Head Size	32 1/2"W x 11"H	N/A
Back Panel	31 7/8"W x 84"H	N/A
Shelf Count	0	N/A

### Drawer Box Specifications

	Amesbury/ Quincy/ Plymouth	Bristol/ Salem
Top Drawer Inner Dim.	22 1/8"W x 19 3/4"D x 3 1/4" H	N/A
Bottom Drawer Inner Dim.	22 1/8"W x 19 3/4"D x 7" H	N/A
Top Drawer Outer Dim.	23 7/16"W x 21 1/8"D x 4" H	N/A
Bottom Drawer Outer Dim.	23 7/16"W x 21 1/8"D x 7 3/4" H	N/A
Drawer Bottom Panel	3/8" Thick	N/A

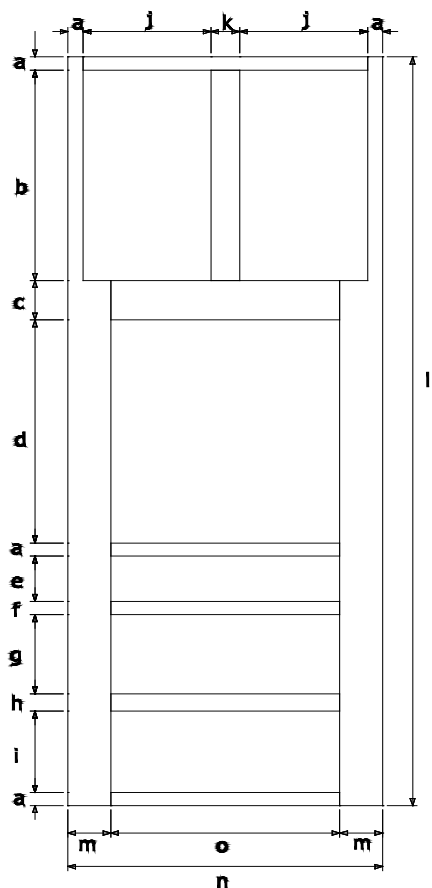
\* Drawer boxes come un-assembled.

\*\* Bottom and middle drawers are the same size

\*\*\* Drawers need to be cut out to fit double oven

## OC3390

### Face Frame Specifications



	Amesbury/ Quincy/ Plymouth	Bristol/ Salem
a	1 1/2"	N/A
b	24"	N/A
c	4 1/2"	N/A
d	25 1/2"	N/A
e	5 5/32"	N/A
f	1 1/2"	N/A
g	9 1/16"	N/A
h	2"	N/A
i	9 9/32"	N/A
j	13 3/8"	N/A
k	3"	N/A
l	85 1/2"	N/A
m	4 1/2"	N/A
n	33"	N/A
o	24"	N/A

- Maximum single oven size: 30"W x 28"H
- Maximum double oven size: 30"W x 56"H

### Parts Specifications

	Amesbury/ Quincy/ Plymouth	Bristol/ Salem
Door Size	16"W x 25 3/4"H	N/A
Top Drawer Head Size	32 1/2"W x 6 1/2"H	N/A
Bottom Drawer Head Size	32 1/2"W x 11"H	N/A
Back Panel	31 7/8"W x 90"H	N/A
Shelf Count	0	N/A

### Drawer Box Specifications

	Amesbury/ Quincy/ Plymouth	Bristol/ Salem
Top Drawer Inner Dim.	22 1/8"W x 19 3/4"D x 3 1/4" H	N/A
Bottom Drawer Inner Dim.	22 1/8"W x 19 3/4"D x 7" H	N/A
Top Drawer Outer Dim.	23 7/16"W x 21 1/8"D x 4" H	N/A
Bottom Drawer Outer Dim.	23 7/16"W x 21 1/8"D x 7 3/4" H	N/A
Drawer Bottom Panel	3/8" Thick	N/A

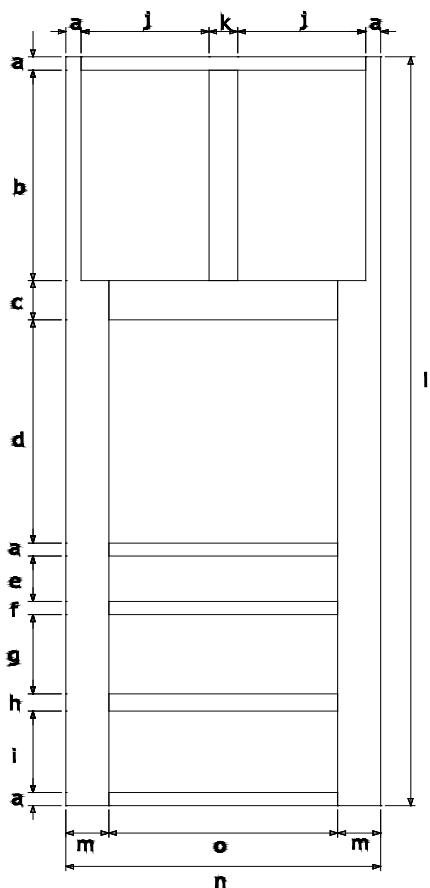
\* Drawer boxes come un-assembled.

\*\* Bottom and middle drawers are the same size

\*\*\* Drawers need to be cut out to fit double oven

## OC3396

### Face Frame Specifications



	Amesbury/ Quincy/ Plymouth	Bristol/ Salem
a	1 1/2"	N/A
b	30"	N/A
c	4 1/2"	N/A
d	25 1/2"	N/A
e	5 5/32"	N/A
f	1 1/2"	N/A
g	9 1/16"	N/A
h	2"	N/A
i	9 9/32"	N/A
j	13 3/8"	N/A
k	3"	N/A
l	91 1/2"	N/A
m	4 1/2"	N/A
n	33"	N/A
o	24"	N/A

- Maximum single oven size: 30"W x 28"H
- Maximum double oven size: 30"W x 56"H

### Parts Specifications

	Amesbury/ Quincy/ Plymouth	Bristol/ Salem
Door Size	16"W x 31 3/4"H	N/A
Top Drawer Head Size	32 1/2"W x 6 1/2"H	N/A
Bottom Drawer Head Size	32 1/2"W x 11"H	N/A
Back Panel	31 7/8"W x 96"H	N/A
Shelf Count	1	N/A

### Drawer Box Specifications

	Amesbury/ Quincy/ Plymouth	Bristol/ Salem
Top Drawer Inner Dim.	22 1/8"W x 19 3/4"D x 3 1/4" H	N/A
Bottom Drawer Inner Dim.	22 1/8"W x 19 3/4"D x 7" H	N/A
Top Drawer Outer Dim.	23 7/16"W x 21 1/8"D x 4" H	N/A
Bottom Drawer Outer Dim.	23 7/16"W x 21 1/8"D x 7 3/4" H	N/A
Drawer Bottom Panel	3/8" Thick	N/A

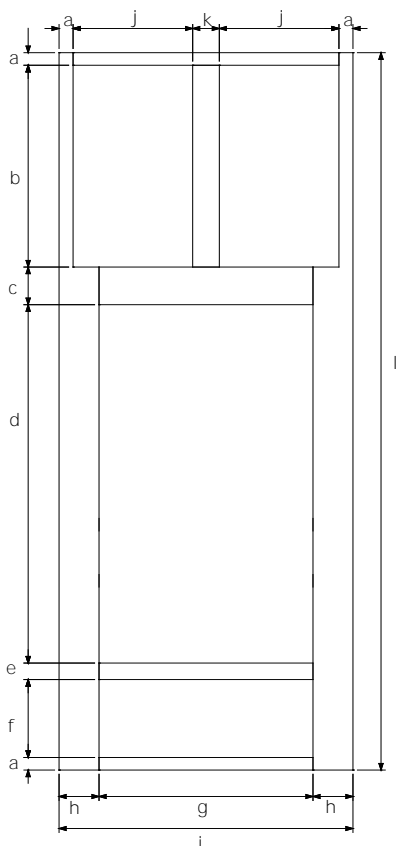
\* Drawer boxes come un-assembled.

\*\* Bottom and middle drawers are the same size

\*\*\* Drawers need to be cut out to fit double oven

## COC3384

### Face Frame Specifications



	Amesbury/ Quincy/ Plymouth	Bristol/ Salem
a	1 1/2"	N/A
b	18"	N/A
c	4 1/2"	N/A
d	42 23/32"	N/A
e	2"	N/A
f	9 9/32"	N/A
g	24"	N/A
h	4 1/2"	N/A
i	33"	N/A
j	13 3/8"	N/A
k	3"	N/A
l	79 1/2"	N/A

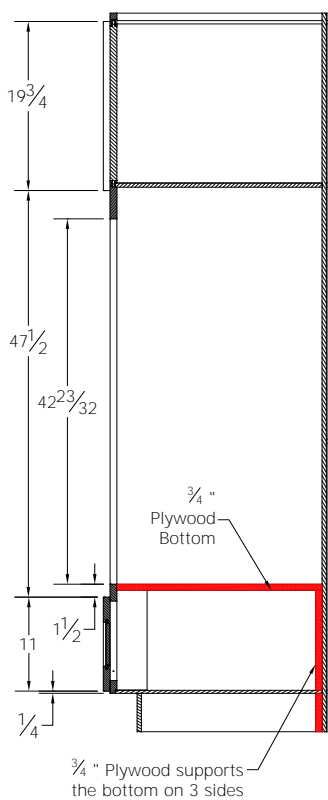
- Minimum cut out size: 24"W x 42 23/32"H
- Maximum cut out size: 30"W x 45 23/32"H

### Parts Specifications

	Amesbury/ Quincy/ Plymouth	Bristol/ Salem
Door Size	16"W x 19 3/4"H	N/A
Drawer Head Size	32 1/2"W x 11"H	N/A
Back Panel	31 7/8"W x 84"H	N/A
Shelf Count	0	N/A

### Drawer Box Specifications

	Amesbury/ Quincy/ Plymouth	Bristol/ Salem
Drawer Inner Dim.	22 1/8"W x 19 3/4"D x 7" H	N/A
Drawer Outer Dim.	23 7/16"W x 21 1/8"D x 7 3/4" H	N/A
Drawer Bottom Pnl	3/8" Thick	N/A

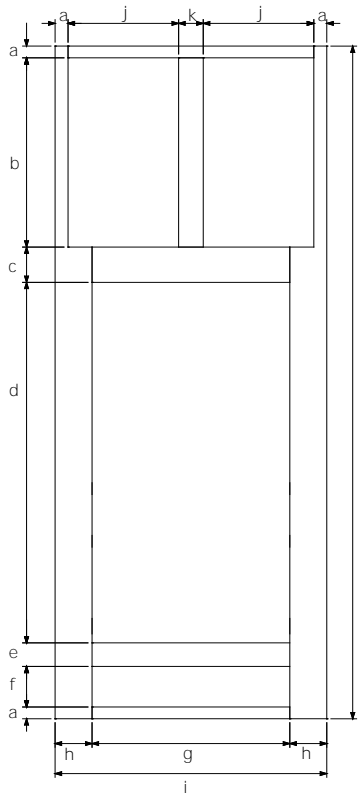


Brand	Req. Cut Out Size
KENMORE Combination Oven	28 1/2" x 44 1/4"
SAMSUNG Combination Oven	28 1/2" x 42 1/4"



## DOC3384

### Face Frame Specifications



	Amesbury/ Quincy/ Plymouth	Bristol/ Salem
a	1 1/2"	N/A
b	18"	N/A
c	4 1/2"	N/A
d	46 1/16"	N/A
e	3"	N/A
f	4 15/16"	N/A
g	24"	N/A
h	4 1/2"	N/A
i	33"	N/A
j	13 3/8"	N/A
k	3"	N/A
l	79 1/2"	N/A

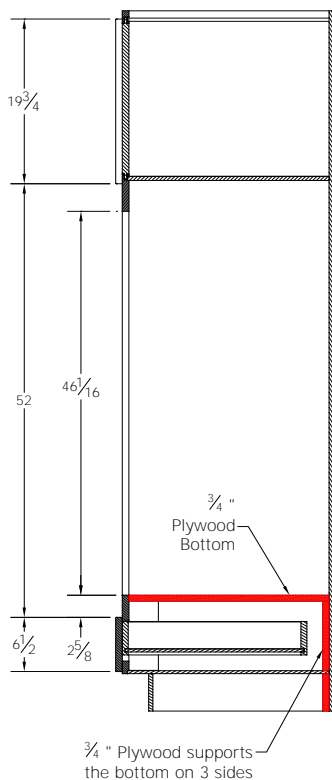
- Minimum cut out size: 24"W x 46 1/16"H
- Maximum cut out size: 30"W x 50 1/2"H

### Parts Specifications

	Amesbury/ Quincy/ Plymouth	Bristol/ Salem
Door Size	16"W x 19 3/4"H	N/A
Drawer Head Size	32 1/2"W x 6 1/2"H	N/A
Back Panel	31 7/8"W x 84"H	N/A
Shelf Count	0	N/A

### Drawer Box Specifications

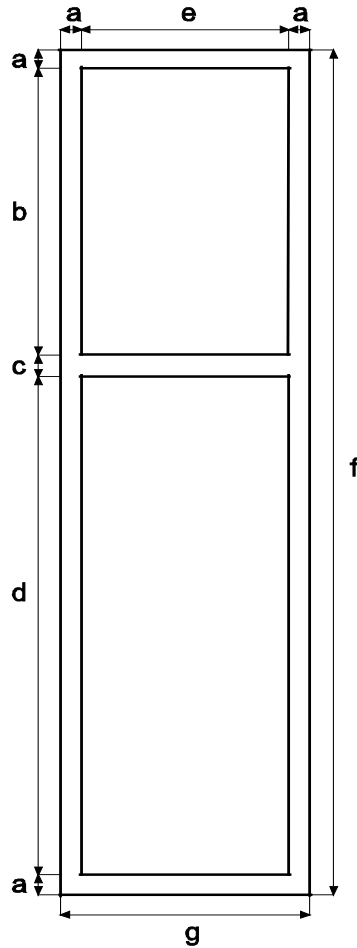
	Amesbury/ Quincy/ Plymouth	Bristol/ Salem
Drawer Inner Dim.	22 1/8"W x 19 3/4"D x 3 1/4" H	N/A
Drawer Outer Dim.	23 7/16"W x 21 1/8"D x 4" H	N/A
Drawer Bottom Pnl	3/8" Thick	N/A



Brand	Req. Cut Out Size
BOSCH Double Oven	28 1/2" x 49 3/4"
BOSCH Combination Oven	28 1/2" x 48 5/8"
KENMORE Double Oven	28 1/2" x 48 7/8"
FRIGIDAIRE Double Oven	28 1/2" x 48 7/8"
WHIRLPOOL Double Oven	28 1/2" x 50 1/4"
SAMSUNG Double Oven	28 1/2" x 50 1/4"

## WP1884

### Face Frame Specifications



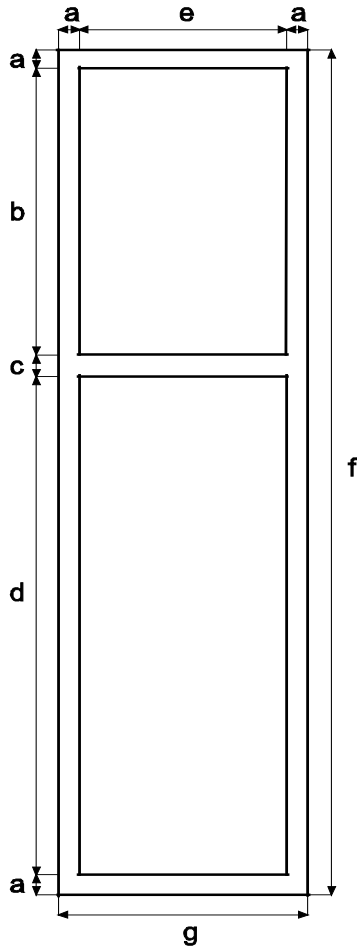
	Amesbury/ Quincy/ Plymouth	Bristol/ Salem
a	1 1/2"	1 1/2"
b	27 3/4"	26 15/16"
c	1 1/2"	1 9/16"
d	47 1/4"	48"
e	15"	15"
f	79 1/2"	79 1/2"
g	18"	18"

### Parts Specifications

	Amesbury/ Quincy/ Plymouth	Bristol/ Salem
Top Door Size	17 1/2"W x 28 3/4"H	16"W x 28"H
Bottom Door Size	17 1/2"W x 49 1/4"H	16"W x 49"H
Bottom and Top Panel	16 7/8"W x 23"D	16 7/8"W x 23"D
Back Panel	16 7/8"W x 81 3/8"H	16 7/8"W x 84"H
Shelf Count	1 on top, 2 on bottom	1 on top, 2 on bottom
Shelf Dimensions	16 5/16"W x 22 7/16"D	16 5/16"W x 22 7/16"D
Top Inner Dimensions	16 1/2"W x 28 1/8"H x 22 3/4"D	16 1/2"W x 27 3/8"H x 22 3/4"D
Bottom Inner Dimensions	16 1/2"W x 48 1/4"H x 22 3/4"D	16 1/2"W x 49 3/4"H x 22 3/4"D
Holes for Roll-Outs	16 sets / up to 4 RT	16 sets / up to 4 RT

## WP1890

### **Face Frame Specifications**



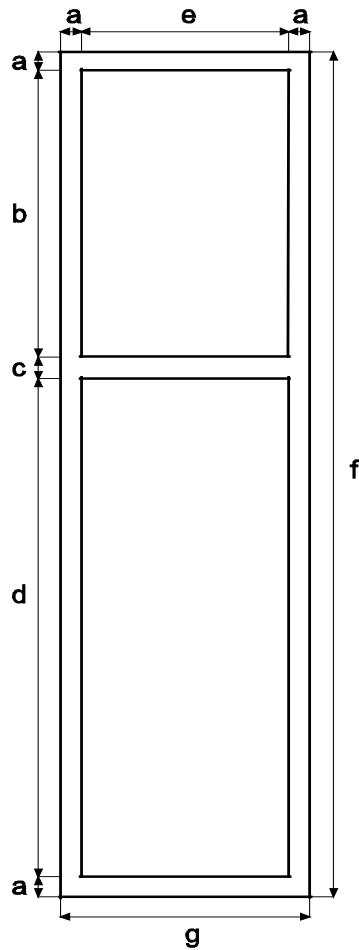
	Amesbury/ Quincy/ Plymouth	Bristol/ Salem
a	1 1/2"	N/A
b	33 3/4"	N/A
c	1 1/2"	N/A
d	47 1/4"	N/A
e	15"	N/A
f	85 1/2"	N/A
g	18"	N/A

### **Parts Specifications**

	Amesbury/ Quincy/ Plymouth	Bristol/ Salem
Top Door Size	17 1/2"W x 34 3/4"H	N/A
Bottom Door Size	17 1/2"W x 49 1/4"H	N/A
Bottom and Top Panel	16 7/8"W x 23"D	N/A
Back Panel	16 7/8"W x 87 3/8"H	N/A
Shelf Count	1 on top, 2 on bottom	N/A
Shelf Dimensions	16 5/16"W x 22 7/16"D	N/A
Top Inner Dimensions	16 1/2"W x 34 1/8"H x 22 3/4"D	N/A
Bottom Inner Dimensions	16 1/2"W x 48 1/4"H x 22 3/4"D	N/A
Holes for Roll-Outs	16 sets / up to 4 RT	N/A

## WP1896

### *Face Frame Specifications*



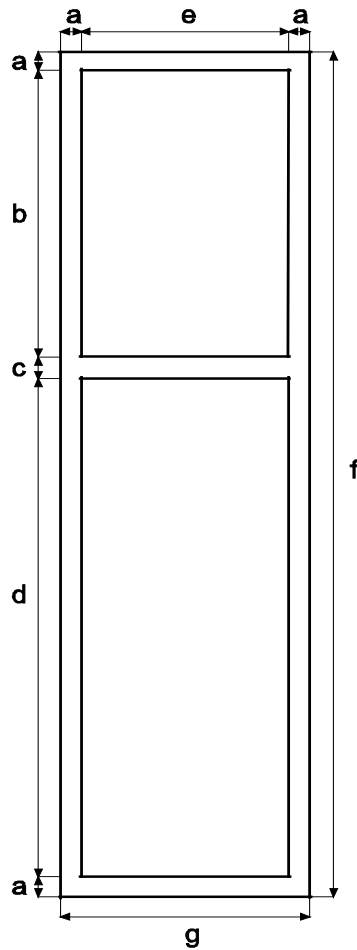
	Amesbury/ Quincy/ Plymouth	Bristol/ Salem
a	1 1/2"	N/A
b	39 3/4"	N/A
c	1 1/2"	N/A
d	47 1/4"	N/A
e	15"	N/A
f	91 1/2"	N/A
g	18"	N/A

### *Parts Specifications*

	Amesbury/ Quincy/ Plymouth	Bristol/ Salem
Top Door Size	17 1/2"W x 40 3/4"H	N/A
Bottom Door Size	17 1/2"W x 49 1/4"H	N/A
Bottom and Top Panel	16 7/8"W x 23"D	N/A
Back Panel	16 7/8"W x 93 3/8"H	N/A
Shelf Count	2 on top, 2 on bottom	N/A
Shelf Dimensions	16 5/16"W x 22 7/16"D	N/A
Top Inner Dimensions	16 1/2"W x 40 1/8"H x 22 3/4"D	N/A
Bottom Inner Dimensions	16 1/2"W x 48 1/4"H x 22 3/4"D	N/A
Holes for Roll-Outs	16 sets / up to 4 RT	N/A

## WP2484B

### Face Frame Specifications



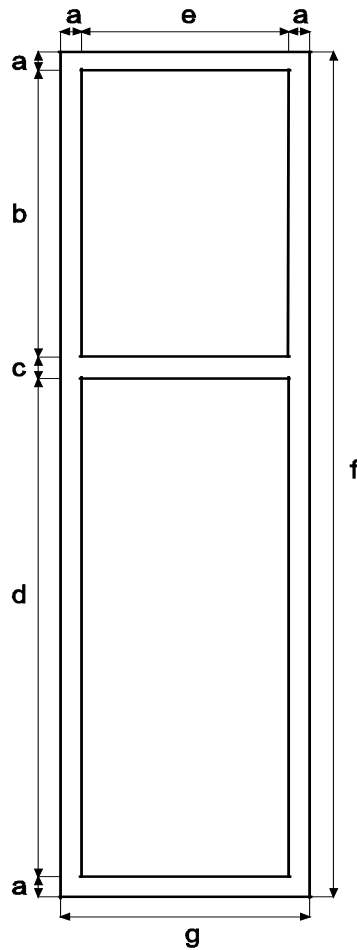
	Amesbury/ Quincy/ Plymouth	Bristol/ Salem
a	1 1/2"	1 1/2"
b	27 3/4"	26 15/16"
c	1 1/2"	1 9/16"
d	47 1/4"	48"
e	21"	21"
f	79 1/2"	79 1/2"
g	24"	24"

### Parts Specifications

	Amesbury/ Quincy/ Plymouth	Bristol/ Salem
Top Door Size	11 11/16"W x 28 3/4"H	10 15/16"W x 28 "H
Bottom Door Size	11 11/16"W x 49 1/4"H	10 15/16"W x 49"H
Bottom and Top Panel	22 7/8"W x 23"D	22 7/8"W x 23"D
Back Panel	22 7/8"W x 81 3/8"H	22 7/8"W x 84"H
Shelf Count	1 on top, 2 on bottom	1 on top, 2 on bottom
Shelf Dimensions	22 5/16"W x 22 7/16"D	22 5/16"W x 22 7/16"D
Top Inner Dimensions	22 1/2"W x 28 1/8"H x 22 3/4"D	22 1/2"W x 27 7/8"H x 22 3/4"D
Bottom Inner Dimensions	22 1/2"W x 48 1/4"H x 22 3/4"D	22 1/2"W x 48 1/2"H x 22 3/4"D
Holes for Roll-Outs	16 sets / up to 4 RT	16 sets / up to 4 RT

## WP2490B

### Face Frame Specifications



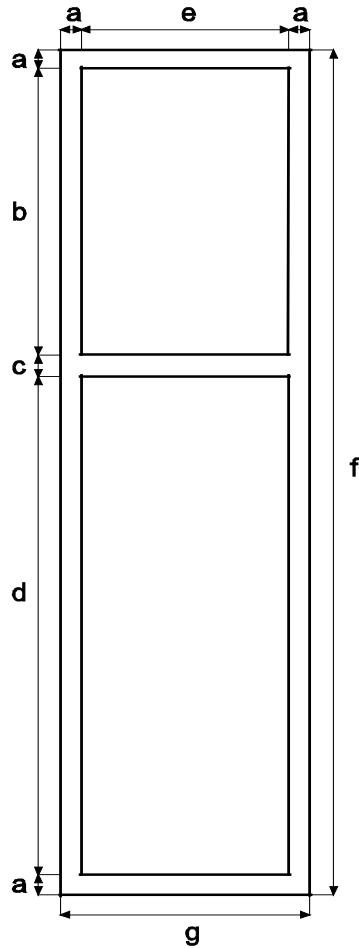
	Amesbury/ Quincy/ Plymouth	Bristol/ Salem
a	1 1/2"	N/A
b	33 3/4"	N/A
c	1 1/2"	N/A
d	47 1/4"	N/A
e	21"	N/A
f	85 1/2"	N/A
g	24"	N/A

### Parts Specifications

	Amesbury/ Quincy/ Plymouth	Bristol/ Salem
Top Door Size	11 11/16"W x 34 3/4"H	N/A
Bottom Door Size	11 11/16"W x 49 1/4"H	N/A
Bottom and Top Panel	22 7/8"W x 23"D	N/A
Back Panel	22 7/8"W x 87 3/8"H	N/A
Shelf Count	1 on top, 2 on bottom	N/A
Shelf Dimensions	22 5/16"W x 22 7/16"D	N/A
Top Inner Dimensions	22 1/2"W x 34 1/8"H x 22 3/4"D	N/A
Bottom Inner Dimensions	22 1/2"W x 48 1/4"H x 22 3/4"D	N/A
Holes for Roll-Outs	16 sets / up to 4 RT	N/A

## WP2496B

### *Face Frame Specifications*



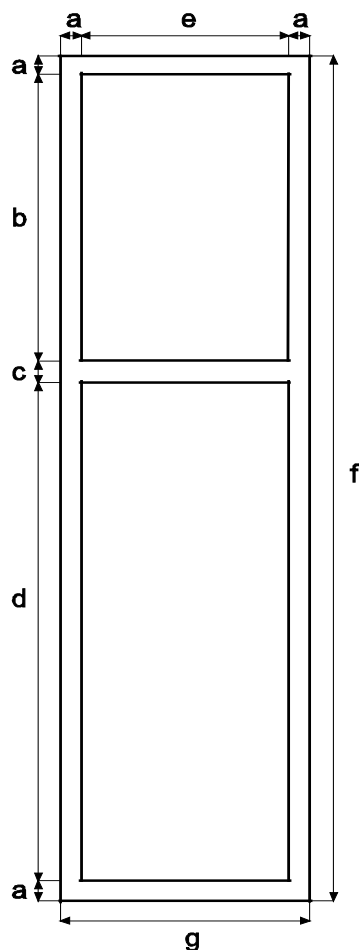
	Amesbury/ Quincy/ Plymouth	Bristol/ Salem
a	1 1/2"	N/A
b	39 3/4"	N/A
c	1 1/2"	N/A
d	47 1/4"	N/A
e	21"	N/A
f	91 1/2"	N/A
g	24"	N/A

### *Parts Specifications*

	Amesbury/ Quincy/ Plymouth	Bristol/ Salem
Top Door Size	11 11/16"W x 40 3/4"H	N/A
Bottom Door Size	11 11/16"W x 49 1/4"H	N/A
Bottom and Top Panel	22 7/8"W x 23"D	N/A
Back Panel	22 7/8"W x 93 3/8"H	N/A
Shelf Count	2 on top, 2 on bottom	N/A
Shelf Dimensions	22 5/16"W x 22 7/16"D	N/A
Top Inner Dimensions	22 1/2"W x 40 1/8"H x 22 3/4"D	N/A
Bottom Inner Dimensions	22 1/2"W x 48 1/4"H x 22 3/4"D	N/A
Holes for Roll-Outs	16 sets / up to 4 RT	N/A

## WP3084B

### Face Frame Specifications



	Amesbury/ Quincy/ Plymouth	Bristol/ Salem
a	1 1/2"	N/A
b	27 3/4"	N/A
c	1 1/2"	N/A
d	47 1/4"	N/A
e	27"	N/A
f	79 1/2"	N/A
g	30"	N/A

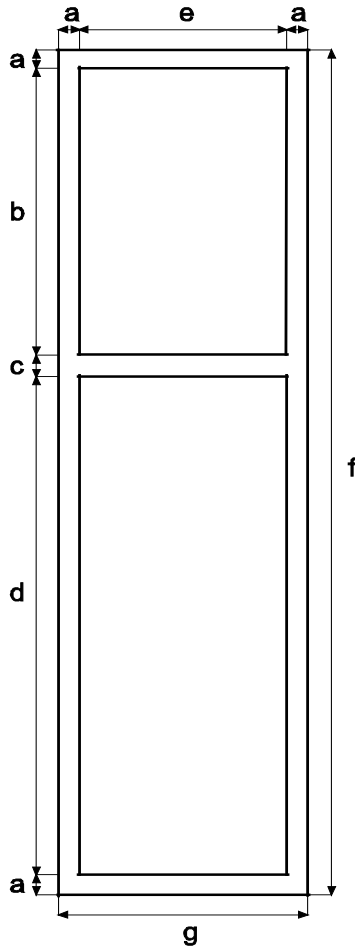
### Parts Specifications

	Amesbury/ Quincy/ Plymouth	Bristol/ Salem
Top Door Size	14 11/16"W x 28 3/4"H	N/A
Bottom Door Size	14 11/16"W x 49 1/4"H	N/A
Bottom and Top Panel	28 7/8"W x 23"D	N/A
Back Panel	28 7/8"W x 81 3/8"H	N/A
Shelf Count	1 on top, 2 on bottom	N/A
Shelf Dimensions	28 5/16"W x 22 7/16"D	N/A
Top Inner Dimensions	28 1/2"W x 28 1/8"H x 22 3/4"D	N/A
Bottom Inner Dimensions	28 1/2"W x 48 1/4"H x 22 3/4"D	N/A
Holes for Roll-Outs	16 sets / up to 4 RT	N/A



## WP3090B

### Face Frame Specifications



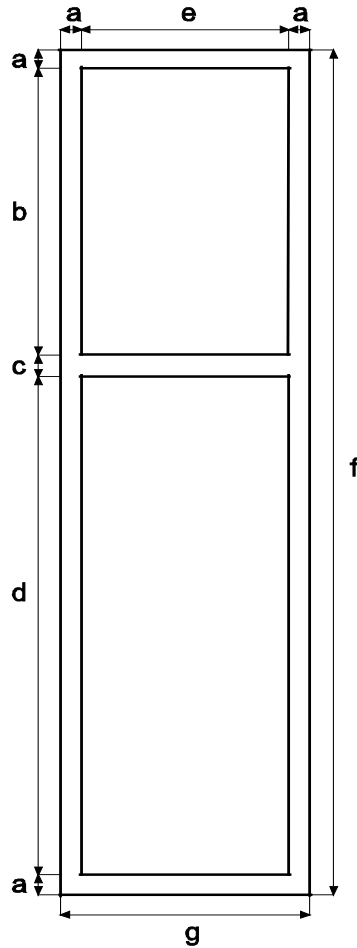
	Amesbury/ Quincy/ Plymouth	Bristol/ Salem
a	1 1/2"	N/A
b	33 3/4"	N/A
c	1 1/2"	N/A
d	47 1/4"	N/A
e	27"	N/A
f	85 1/2"	N/A
g	30"	N/A

### Parts Specifications

	Amesbury/ Quincy/ Plymouth	Bristol/ Salem
Top Door Size	14 11/16"W x 34 3/4"H	N/A
Bottom Door Size	14 11/16"W x 49 1/4"H	N/A
Bottom and Top Panel	28 7/8"W x 23"D	N/A
Back Panel	28 7/8"W x 87 3/8"H	N/A
Shelf Count	1 on top, 2 on bottom	N/A
Shelf Dimensions	28 5/16"W x 22 7/16"D	N/A
Top Inner Dimensions	28 1/2"W x 34 1/8"H x 22 3/4"D	N/A
Bottom Inner Dimensions	28 1/2"W x 48 1/4"H x 22 3/4"D	N/A
Holes for Roll-Outs	16 sets / up to 4 RT	N/A

## WP3096B

### Face Frame Specifications



	Amesbury/ Quincy/ Plymouth	Bristol/ Salem
a	1 1/2"	N/A
b	39 3/4"	N/A
c	1 1/2"	N/A
d	47 1/4"	N/A
e	27"	N/A
f	91 1/2"	N/A
g	30"	N/A

### Parts Specifications

	Amesbury/ Quincy/ Plymouth	Bristol/ Salem
Top Door Size	14 11/16"W x 40 3/4"H	N/A
Bottom Door Size	14 11/16"W x 49 1/4"H	N/A
Bottom and Top Panel	28 7/8"W x 23"D	N/A
Back Panel	28 7/8"W x 93 3/8"H	N/A
Shelf Count	2 on top, 2 on bottom	N/A
Shelf Dimensions	28 5/16"W x 22 7/16"D	N/A
Top Inner Dimensions	28 1/2"W x 40 1/8"H x 22 3/4"D	N/A
Bottom Inner Dimensions	28 1/2"W x 48 1/4"H x 22 3/4"D	N/A
Holes for Roll-Outs	16 sets / up to 4 RT	N/A

# **Premier & Craftsman Vanities**

## **Kitchen Cabinet Door and Drawer Head Sizes**

	Amesbury / Quincy / Plymouth		Bristol / Salem	
	Door (W x H)	Drawer (W x H)	Door (W x H)	Drawer (W x H)
<b>AB24</b>	17 <sup>7</sup> / <sub>8</sub> " x 29 "	N/A	N/A	N/A
<b>AW30</b>	16 <sup>3</sup> / <sub>8</sub> " x 28 <sup>3</sup> / <sub>4</sub> "	N/A	N/A	N/A
<b>AW36</b>	16 <sup>3</sup> / <sub>8</sub> " x 34 <sup>3</sup> / <sub>4</sub> "	N/A	N/A	N/A
<b>AW42</b>	16 <sup>3</sup> / <sub>8</sub> " x 40 <sup>3</sup> / <sub>4</sub> "	N/A	N/A	N/A
<b>B12</b>	11 <sup>1</sup> / <sub>2</sub> " x 22 <sup>1</sup> / <sub>4</sub> "	11 <sup>1</sup> / <sub>2</sub> " x 6 <sup>1</sup> / <sub>2</sub> "	10" x 21 <sup>1</sup> / <sub>4</sub> "	10" x 6 <sup>5</sup> / <sub>32</sub> "
<b>B15</b>	14 <sup>1</sup> / <sub>2</sub> " x 22 <sup>1</sup> / <sub>4</sub> "	14 <sup>1</sup> / <sub>2</sub> " x 6 <sup>1</sup> / <sub>2</sub> "	13" x 21 <sup>1</sup> / <sub>4</sub> "	13" x 6 <sup>5</sup> / <sub>32</sub> "
<b>B18</b>	17 <sup>1</sup> / <sub>2</sub> " x 22 <sup>1</sup> / <sub>4</sub> "	17 <sup>1</sup> / <sub>2</sub> " x 6 <sup>1</sup> / <sub>2</sub> "	16" x 21 <sup>1</sup> / <sub>4</sub> "	16" x 6 <sup>5</sup> / <sub>32</sub> "
<b>B21</b>	20 <sup>1</sup> / <sub>2</sub> " x 22 <sup>1</sup> / <sub>4</sub> "	20 <sup>1</sup> / <sub>2</sub> " x 6 <sup>1</sup> / <sub>2</sub> "	19" x 21 <sup>1</sup> / <sub>4</sub> "	19" x 6 <sup>5</sup> / <sub>32</sub> "
<b>B24B</b>	11 <sup>11</sup> / <sub>16</sub> " x 22 <sup>1</sup> / <sub>4</sub> "	23 <sup>1</sup> / <sub>2</sub> " x 6 <sup>1</sup> / <sub>2</sub> "	10 <sup>15</sup> / <sub>16</sub> " x 21 <sup>1</sup> / <sub>4</sub> "	22" x 6 <sup>5</sup> / <sub>32</sub> "
<b>B27B</b>	13 <sup>3</sup> / <sub>16</sub> " x 22 <sup>1</sup> / <sub>4</sub> "	26 <sup>1</sup> / <sub>2</sub> " x 6 <sup>1</sup> / <sub>2</sub> "	12 <sup>7</sup> / <sub>16</sub> " x 21 <sup>1</sup> / <sub>4</sub> "	25" x 6 <sup>5</sup> / <sub>32</sub> "
<b>B30B</b>	14 <sup>11</sup> / <sub>16</sub> " x 22 <sup>1</sup> / <sub>4</sub> "	29 <sup>1</sup> / <sub>2</sub> " x 6 <sup>1</sup> / <sub>2</sub> "	13 <sup>15</sup> / <sub>16</sub> " x 21 <sup>1</sup> / <sub>4</sub> "	28" x 6 <sup>5</sup> / <sub>32</sub> "
<b>B33</b>	16 " x 22 <sup>1</sup> / <sub>4</sub> "	16 " x 6 <sup>1</sup> / <sub>2</sub> "	14 <sup>1</sup> / <sub>2</sub> " x 21 <sup>1</sup> / <sub>4</sub> "	14 <sup>1</sup> / <sub>2</sub> " x 6 <sup>5</sup> / <sub>32</sub> "
<b>B36</b>	17 <sup>1</sup> / <sub>2</sub> " x 22 <sup>1</sup> / <sub>4</sub> "	17 <sup>1</sup> / <sub>2</sub> " x 6 <sup>1</sup> / <sub>2</sub> "	16" x 21 <sup>1</sup> / <sub>4</sub> "	16" x 6 <sup>5</sup> / <sub>32</sub> "
<b>B42</b>	20 <sup>1</sup> / <sub>2</sub> " x 22 <sup>1</sup> / <sub>4</sub> "	20 <sup>1</sup> / <sub>2</sub> " x 6 <sup>1</sup> / <sub>2</sub> "	19" x 21 <sup>1</sup> / <sub>4</sub> "	19" x 6 <sup>5</sup> / <sub>32</sub> "
<b>BBC36/39</b>	11 <sup>1</sup> / <sub>2</sub> " x 22 <sup>1</sup> / <sub>4</sub> "	11 <sup>1</sup> / <sub>2</sub> " x 6 <sup>1</sup> / <sub>2</sub> "	10" x 21 <sup>1</sup> / <sub>4</sub> "	10" x 6 <sup>5</sup> / <sub>32</sub> "
<b>BBC42/45</b>	17 <sup>1</sup> / <sub>2</sub> " x 22 <sup>1</sup> / <sub>4</sub> "	17 <sup>1</sup> / <sub>2</sub> " x 6 <sup>1</sup> / <sub>2</sub> "	16" x 21 <sup>1</sup> / <sub>4</sub> "	16" x 6 <sup>5</sup> / <sub>32</sub> "
<b>BF9</b>	8 <sup>1</sup> / <sub>2</sub> " x 29"	N/A	7" x 28"	N/A
<b>CSF36</b>	15" x 22 <sup>1</sup> / <sub>4</sub> "	15" x 6 <sup>1</sup> / <sub>2</sub> "	14 <sup>15</sup> / <sub>16</sub> " x 21 <sup>1</sup> / <sub>2</sub> "	14 <sup>15</sup> / <sub>16</sub> " x 6 <sup>5</sup> / <sub>32</sub> "
<b>DB12</b> Small	N/A	11 <sup>1</sup> / <sub>2</sub> " x 6 <sup>1</sup> / <sub>2</sub> "	N/A	11" x 6 <sup>5</sup> / <sub>32</sub> "
<b>DB12</b> Large	N/A	11 <sup>1</sup> / <sub>2</sub> " x 11 "	N/A	11" x 10 <sup>5</sup> / <sub>16</sub> "
<b>DB15</b> Small	N/A	14 <sup>1</sup> / <sub>2</sub> " x 6 <sup>1</sup> / <sub>2</sub> "	N/A	13" x 6 <sup>5</sup> / <sub>32</sub> "
<b>DB15</b> Large	N/A	14 <sup>1</sup> / <sub>2</sub> " x 11 "	N/A	13" x 10 <sup>5</sup> / <sub>16</sub> "
<b>DB18</b> Small	N/A	17 <sup>1</sup> / <sub>2</sub> " x 6 <sup>1</sup> / <sub>2</sub> "	N/A	16" x 6 <sup>5</sup> / <sub>32</sub> "
<b>DB18</b> Large	N/A	17 <sup>1</sup> / <sub>2</sub> " x 11 "	N/A	16" x 10 <sup>5</sup> / <sub>16</sub> "
<b>DB21</b> Small	N/A	20 <sup>1</sup> / <sub>2</sub> " x 6 <sup>1</sup> / <sub>2</sub> "	N/A	19" x 6 <sup>5</sup> / <sub>32</sub> "
<b>DB21</b> Large	N/A	20 <sup>1</sup> / <sub>2</sub> " x 11 "	N/A	19" x 10 <sup>5</sup> / <sub>16</sub> "
<b>DB24</b> Small	N/A	23 <sup>1</sup> / <sub>2</sub> " x 6 <sup>1</sup> / <sub>2</sub> "	N/A	22" x 6 <sup>5</sup> / <sub>32</sub> "
<b>DB24</b> Large	N/A	23 <sup>1</sup> / <sub>2</sub> " x 11 "	N/A	22" x 10 <sup>5</sup> / <sub>16</sub> "
<b>DB30</b> Small	N/A	29 <sup>1</sup> / <sub>2</sub> " x 6 <sup>1</sup> / <sub>2</sub> "	N/A	28" x 6 <sup>5</sup> / <sub>32</sub> "
<b>DB30</b> Large	N/A	29 <sup>1</sup> / <sub>2</sub> " x 11 "	N/A	28" x 10 <sup>5</sup> / <sub>16</sub> "
<b>DB36</b> Small	N/A	35 <sup>1</sup> / <sub>2</sub> " x 6 <sup>1</sup> / <sub>2</sub> "	N/A	34" x 6 <sup>5</sup> / <sub>32</sub> "
<b>DB36</b> Large	N/A	35 <sup>1</sup> / <sub>2</sub> " x 11 "	N/A	34" x 10 <sup>5</sup> / <sub>16</sub> "
<b>LS33</b>	7 <sup>3</sup> / <sub>4</sub> " x 29 "	N/A	N/A	N/A

	Amesbury / Quincy / Plymouth		Bristol / Salem	
	Door (W x H)	Drawer (W x H)	Door (W x H)	Drawer (W x H)
<b>LS36</b>	10 <sup>3</sup> / <sub>4</sub> " x 29"	N/A	N/A	N/A
<b>MB30</b>	N/A	29 <sup>1</sup> / <sub>2</sub> " x 8 <sup>13</sup> / <sub>16</sub> "	N/A	N/A
<b>OC3384</b> Small	16" x 19 <sup>3</sup> / <sub>4</sub> "	32 <sup>1</sup> / <sub>2</sub> " x 6 <sup>1</sup> / <sub>2</sub> "	N/A	N/A
<b>OC3384</b> Large	N/A	32 <sup>1</sup> / <sub>2</sub> " x 11"	N/A	N/A
<b>OC3390</b> Small	16" x 25 <sup>3</sup> / <sub>4</sub> "	32 <sup>1</sup> / <sub>2</sub> " x 6 <sup>1</sup> / <sub>2</sub> "	N/A	N/A
<b>OC3390</b> Large	N/A	32 <sup>1</sup> / <sub>2</sub> " x 11"	N/A	N/A
<b>OC3396</b> Small	16" x 31 <sup>3</sup> / <sub>4</sub> "	32 <sup>1</sup> / <sub>2</sub> " x 6 <sup>1</sup> / <sub>2</sub> "	N/A	N/A
<b>OC3396</b> Large	N/A	32 <sup>1</sup> / <sub>2</sub> " x 11"	N/A	N/A
<b>COC3384</b> Small	16" x 19 <sup>3</sup> / <sub>4</sub> "	N/A	N/A	N/A
<b>COC3384</b> Large	N/A	32 <sup>1</sup> / <sub>2</sub> " x 11"	N/A	N/A
<b>DOC3384</b> Small	16" x 19 <sup>3</sup> / <sub>4</sub> "	32 <sup>1</sup> / <sub>2</sub> " x 6 <sup>1</sup> / <sub>2</sub> "	N/A	N/A
<b>DOC3384</b> Large	N/A	N/A	N/A	N/A
<b>SB30B</b>	14 <sup>11</sup> / <sub>16</sub> " x 22 <sup>1</sup> / <sub>4</sub> "	29 <sup>1</sup> / <sub>2</sub> " x 6 <sup>1</sup> / <sub>2</sub> "	13 <sup>15</sup> / <sub>16</sub> " x 21 <sup>1</sup> / <sub>4</sub> "	28" x 6 <sup>5</sup> / <sub>32</sub> "
<b>SB33</b>	16" x 22 <sup>1</sup> / <sub>4</sub> "	16" x 6 <sup>1</sup> / <sub>2</sub> "	14 <sup>1</sup> / <sub>2</sub> " x 21 <sup>1</sup> / <sub>4</sub> "	14 <sup>1</sup> / <sub>2</sub> " x 6 <sup>5</sup> / <sub>32</sub> "
<b>SB36</b>	17 <sup>1</sup> / <sub>2</sub> " x 22 <sup>1</sup> / <sub>4</sub> "	17 <sup>1</sup> / <sub>2</sub> " x 6 <sup>1</sup> / <sub>2</sub> "	16" x 21 <sup>1</sup> / <sub>4</sub> "	16" x 6 <sup>5</sup> / <sub>32</sub> "
<b>SB42</b>	20 <sup>1</sup> / <sub>2</sub> " x 22 <sup>1</sup> / <sub>4</sub> "	20 <sup>1</sup> / <sub>2</sub> " x 6 <sup>1</sup> / <sub>2</sub> "	19" x 21 <sup>1</sup> / <sub>4</sub> "	19" x 6 <sup>5</sup> / <sub>32</sub> "
<b>SD</b>	12 <sup>3</sup> / <sub>4</sub> " x 15 <sup>3</sup> / <sub>4</sub> "	N/A	12 <sup>3</sup> / <sub>4</sub> " x 15 <sup>3</sup> / <sub>4</sub> "	N/A
<b>W0930</b>	8 <sup>1</sup> / <sub>2</sub> " x 28 <sup>3</sup> / <sub>4</sub> "	N/A	7" x 28"	N/A
<b>W0936</b>	8 <sup>1</sup> / <sub>2</sub> " x 34 <sup>3</sup> / <sub>4</sub> "	N/A	N/A	N/A
<b>W0942</b>	8 <sup>1</sup> / <sub>2</sub> " x 40 <sup>3</sup> / <sub>4</sub> "	N/A	N/A	N/A
<b>W1230</b>	11 <sup>1</sup> / <sub>2</sub> " x 28 <sup>3</sup> / <sub>4</sub> "	N/A	10" x 28"	N/A
<b>W1236</b>	11 <sup>1</sup> / <sub>2</sub> " x 34 <sup>3</sup> / <sub>4</sub> "	N/A	N/A	N/A
<b>W1242</b>	11 <sup>1</sup> / <sub>2</sub> " x 40 <sup>3</sup> / <sub>4</sub> "	N/A	N/A	N/A
<b>W1530</b>	14 <sup>1</sup> / <sub>2</sub> " x 28 <sup>3</sup> / <sub>4</sub> "	N/A	13" x 28"	N/A
<b>W1536</b>	14 <sup>1</sup> / <sub>2</sub> " x 34 <sup>3</sup> / <sub>4</sub> "	N/A	N/A	N/A
<b>W1542</b>	14 <sup>1</sup> / <sub>2</sub> " x 40 <sup>3</sup> / <sub>4</sub> "	N/A	N/A	N/A
<b>W1830</b>	17 <sup>1</sup> / <sub>2</sub> " x 28 <sup>3</sup> / <sub>4</sub> "	N/A	16" x 28"	N/A
<b>W1836</b>	17 <sup>1</sup> / <sub>2</sub> " x 34 <sup>3</sup> / <sub>4</sub> "	N/A	N/A	N/A
<b>W1842</b>	17 <sup>1</sup> / <sub>2</sub> " x 40 <sup>3</sup> / <sub>4</sub> "	N/A	N/A	N/A
<b>W2130</b>	20 <sup>1</sup> / <sub>2</sub> " x 28 <sup>3</sup> / <sub>4</sub> "	N/A	19" x 28"	N/A
<b>W2136</b>	20 <sup>1</sup> / <sub>2</sub> " x 34 <sup>3</sup> / <sub>4</sub> "	N/A	N/A	N/A
<b>W2142</b>	20 <sup>1</sup> / <sub>2</sub> " x 40 <sup>3</sup> / <sub>4</sub> "	N/A	N/A	N/A

	Amesbury / Quincy / Plymouth		Bristol / Salem	
	Door (W x H)	Drawer (W x H)	Door (W x H)	Drawer (W x H)
W2412B	11 11/16 " x 10 3/4 "	N/A	N/A	N/A
W2418B	11 11/16 " x 16 3/4 "	N/A	N/A	N/A
W2424B	11 11/16 " x 22 3/4 "	N/A	N/A	N/A
W2430B	11 11/16 " x 28 3/4 "	N/A	10 15/16 " x 28 "	N/A
W2436B	11 11/16 " x 34 3/4 "	N/A	N/A	N/A
W2442B	11 11/16 " x 40 3/4 "	N/A	N/A	N/A
W2730B	13 3/16 " x 28 3/4 "	N/A	12 7/16 " x 28 "	N/A
W2736B	13 3/16 " x 34 3/4 "	N/A	N/A	N/A
W2742B	13 3/16 " x 40 3/4 "	N/A	N/A	N/A
W3012B	14 11/16 " x 10 3/4 "	N/A	13 15/16 " x 10 "	N/A
W3015B	14 11/16 " x 13 3/4 "	N/A	13 15/16 " x 13 "	N/A
W3018B	14 11/16 " x 16 3/4 "	N/A	13 15/16 " x 16 "	N/A
W3024B	14 11/16 " x 22 3/4 "	N/A	13 15/16 " x 22 "	N/A
W3030B	14 11/16 " x 28 3/4 "	N/A	13 15/16 " x 28 "	N/A
W3036B	14 11/16 " x 34 3/4 "	N/A	N/A	N/A
W3042B	14 11/16 " x 40 3/4 "	N/A	13 15/16 " x 40 "N/A	N/A
W3312	16 " x 10 3/4 "	N/A	N/A	N/A
W3315	16 " x 13 3/4 "	N/A	14 1/2 " x 13 "	N/A
W3318	16 " x 16 3/4 "	N/A	14 1/2 " x 16 "	N/A
W3324	16 " x 22 3/4 "	N/A	N/A	N/A
W3330	16 " x 28 3/4 "	N/A	14 1/2 " x 28 "	N/A
W3336	16 " x 34 3/4 "	N/A	N/A	N/A
W3342	16 " x 40 3/4 "	N/A	N/A	N/A
W3612	17 1/2 " x 10 3/4 "	N/A	16 " x 10 "	N/A
W361224	17 1/2 " x 10 3/4 "	N/A	N/A	N/A
W3615	17 1/2 " x 13 3/4 "	N/A	16 " x 13 "	N/A
W361524	17 1/2 " x 13 3/4 "	N/A	N/A	N/A
W3618	17 1/2 " x 16 3/4 "	N/A	16 " x 16 "	N/A
W361824	17 1/2 " x 16 3/4 "	N/A	N/A	N/A
W3624	17 1/2 " x 22 3/4 "	N/A	16" x 22"	N/A
W362424	17 1/2 " x 22 3/4 "	N/A	N/A	N/A
W3630	17 1/2 " x 28 3/4 "	N/A	16" x 28"	N/A
W3636	17 1/2 " x 34 3/4 "	N/A	N/A	N/A
W3642	17 1/2 " x 40 3/4 "	N/A	N/A	N/A

	Amesbury / Quincy / Plymouth		Bristol / Salem	
	Door (W x H)	Drawer (W x H)	Door (W x H)	Drawer (W x H)
<b>W4230</b>	20 1/2" x 28 3/4"	N/A	19" x 28"	N/A
<b>W4236</b>	20 1/2" x 34 3/4"	N/A	N/A	N/A
<b>W4242</b>	20 1/2" x 40 3/4"	N/A	N/A	N/A
<b>WBC2730</b>	14 1/2" x 28 3/4"	N/A	13" x 28"	N/A
<b>WBC2736</b>	14 1/2" x 34 3/4"	N/A	N/A	N/A
<b>WBC2742</b>	14 1/2" x 40 3/4"	N/A	N/A	N/A
<b>WDC2430</b>	15" x 28 3/4"	N/A	14 15/16" x 28"	N/A
<b>WDC2436</b>	15" x 34 3/4"	N/A	N/A	N/A
<b>WDC2442</b>	15" x 40 3/4"	N/A	N/A	N/A
<b>WDEC30</b>	11 3/4" x 28 3/4"	N/A	N/A	N/A
<b>WDEC36</b>	11 3/4" x 34 3/4"	N/A	N/A	N/A
<b>WDEC42</b>	11 3/4" x 40 3/4"	N/A	N/A	N/A
<b>WP1884</b> Top	17 1/2" x 28 3/4"	N/A	16" x 28"	N/A
<b>WP1884</b> Bottom	17 1/2" x 49 1/4"	N/A	16" x 49"	N/A
<b>WP1890</b> Top	17 1/2" x 34 3/4"	N/A	N/A	N/A
<b>WP1890</b> Bottom	17 1/2" x 49 1/4"	N/A	N/A	N/A
<b>WP1896</b> Top	17 1/2" x 40 3/4"	N/A	N/A	N/A
<b>WP1896</b> Bottom	17 1/2" x 49 1/4"	N/A	N/A	N/A
<b>WP2484B</b> Top	11 11/16" x 28 3/4"	N/A	10 15/16" x 28"	N/A
<b>WP2484B</b> Bottom	11 11/16" x 49 1/4"	N/A	10 15/16" x 49"	N/A
<b>WP2490B</b> Top	11 11/16" x 34 3/4"	N/A	N/A	N/A
<b>WP2490B</b> Bottom	11 11/16" x 49 1/4"	N/A	N/A	N/A
<b>WP2496B</b> Top	11 11/16" x 40 3/4"	N/A	N/A	N/A
<b>WP2496B</b> Bottom	11 11/16" x 49 1/4"	N/A	N/A	N/A
<b>WP3084B</b> Top	14 11/16" x 28 3/4"	N/A	N/A	N/A
<b>WP3084B</b> Bottom	14 11/16" x 49 1/4"	N/A	N/A	N/A
<b>WP3090B</b> Top	14 11/16" x 34 3/4"	N/A	N/A	N/A
<b>WP3090B</b> Bottom	14 11/16" x 49 1/4"	N/A	N/A	N/A
<b>WP3096B</b> Top	14 11/16" x 40 3/4"	N/A	N/A	N/A
<b>WP3096B</b> Bottom	14 11/16" x 49 1/4"	N/A	N/A	N/A

## Bristol Vanity

### General Specifications:

- Material: Solid maple frame and door stiles, plywood cabinet box
- Stain: Cherry, Brown
- Interior: Natural Maple finish
- Small drawer head design: One piece (Slab)
- Large drawer head design: 5 piece
- Door design: Standard ( $\frac{1}{2}$ " overlay)
- Door & large drawer panel: Veneered MDF square and recessed

### Cabinet Specifications:

- Cabinet height: 34  $\frac{1}{2}$ "
- Vanity depth: 21"
- Face frame:  $\frac{3}{4}$ " x 1  $\frac{1}{2}$ " Mortise & Tenon
- Side panels:  $\frac{1}{2}$ " plywood with wood veneer on both sides
- Back panel:  $\frac{1}{2}$ " plywood, open back for easy plumbing installation
- Toe kick:  $\frac{1}{2}$ " x 4  $\frac{1}{2}$ " plywood finished to match
- Center style: There is no center style on double door units
- Hinge: Concealed cup hinge with a 105 degree opening and 3-dimensional adjustment (side, depth and height adjustment)

### Drawer Construction:

- Drawer design: Rabbet joint drawer
- Drawer sides:  $\frac{5}{8}$ " plywood with wood veneer on both sides
- Drawer bottom:  $\frac{1}{4}$ " plywood with wood veneer
- Drawer glides:  $\frac{3}{4}$ " extension, side mount, epoxy-coated drawer glides



## Salem Vanity

### General Specifications:

- Material: Solid maple frame and door stiles, plywood cabinet box
- Stain: Cherry, Brown
- Interior: Natural Maple finish
- Small drawer head design: One piece (Slab)
- Large drawer head design: 5 piece
- Door design: Standard (1/2") overlay
- Door & large drawer panel: Veneered MDF recessed, square on both wall and base cabinets

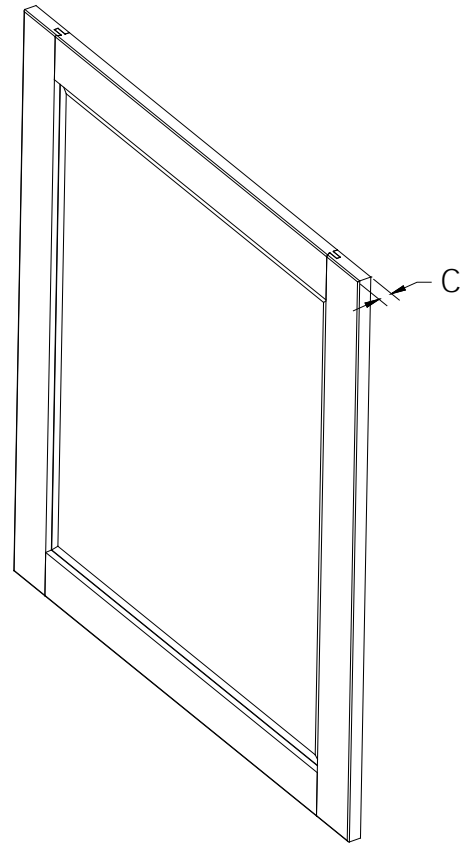
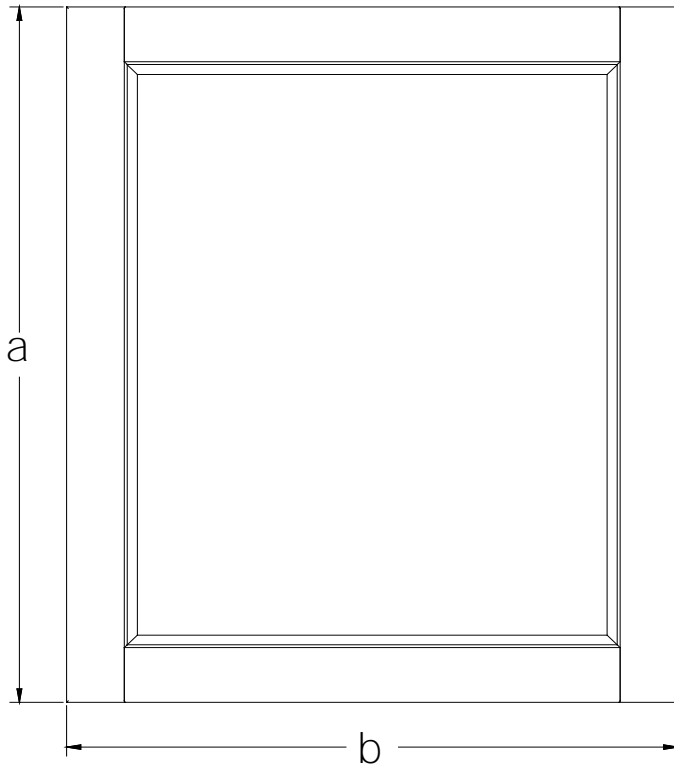
### Cabinet Specifications:

- Cabinet height: 34 1/2"
- Vanity depth: 21"
- Face frame: 3/4" x 1 1/2" Mortise & Tenon
- Side panels: 1/2" plywood with wood veneer on both sides
- Back panel: 1/2" plywood, open back for easy plumbing installation
- Toe kick: 1/2" x 4 1/2" plywood finished to match
- Center style: There is no center style on double door units
- Hinge: Concealed cup hinge with a 105 degree opening and 3-dimensional adjustment (side, depth and height adjustment)

### Drawer Construction:

- Drawer design: Rabbet joint drawer
- Drawer sides: 5/8" plywood with wood veneer on both sides
- Drawer bottom: 1/4" plywood with wood veneer
- Drawer glides: 3/4" extension, side mount, epoxy-coated drawer glides

**MR3036**

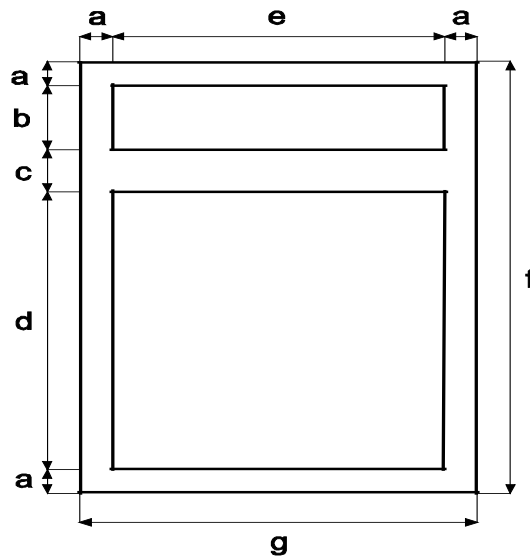


a	36"
b	30"
c	$\frac{3}{4}$ "

Glass Dimensions: 25  $\frac{1}{8}$ "W x 31  $\frac{1}{8}$ "H

- Mirror glass is beveled

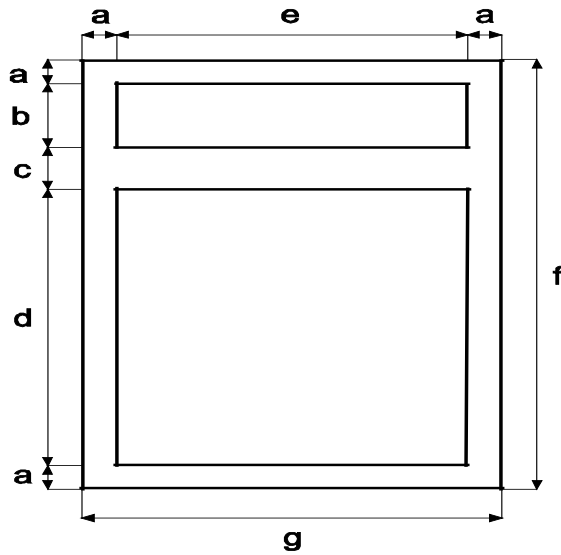
## Craftsman V2421



Bristol/ Salem	
a	1 1/2"
b	5 5/32"
c	1 1/2"
d	20 11/32"
e	21"
f	30"
g	24"

- 2 Door Vanity
- Door Opening: 21"W x 20 11/32"H
- Cabinet Inner Dimensions: 22 1/2"W x 19 3/4"D x 28 3/4"H
- Door Size: 10 15/16"W x 21 1/4"H
- False Drawer Head Size: 22"W x 6 5/32"H
- Cabinet Bottom Panel: 22 7/8"W x 20"D x 3/8"T
- Toe kick: 24"W x 4 1/2"H x 1/2"T

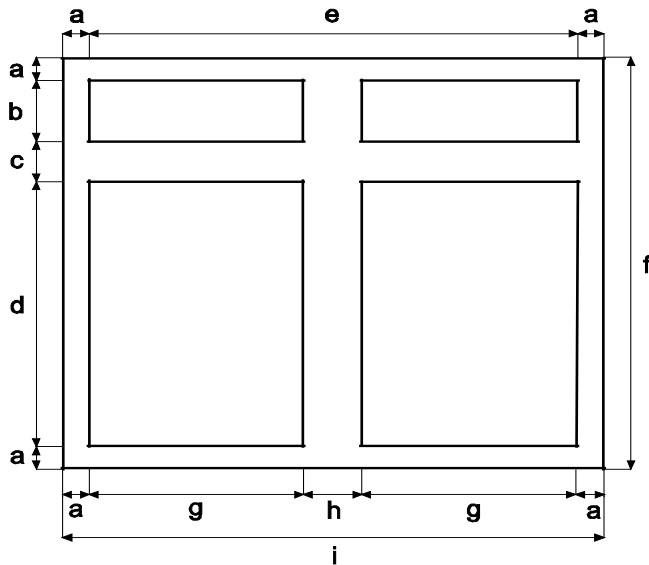
## Craftsman V3021



Bristol/ Salem	
a	1 1/2"
b	5 5/32"
c	1 1/2"
d	20 11/32"
e	27"
f	30"
g	30"

- 2 Door Vanity
- Door Opening: 27"W x 20 11/32"H
- Cabinet Inner Dimensions: 28 1/2"W x 19 3/4"D x 28 3/4"H
- Door Size: 13 15/16" W x 21 1/4"H
- False Drawer Head Size: 28"W x 6 5/32"H
- Cabinet Bottom Panel: 28 7/8"W x 20"D x 3/8"T
- Toe kick: 30"W x 4 1/2"H x 1/2"T

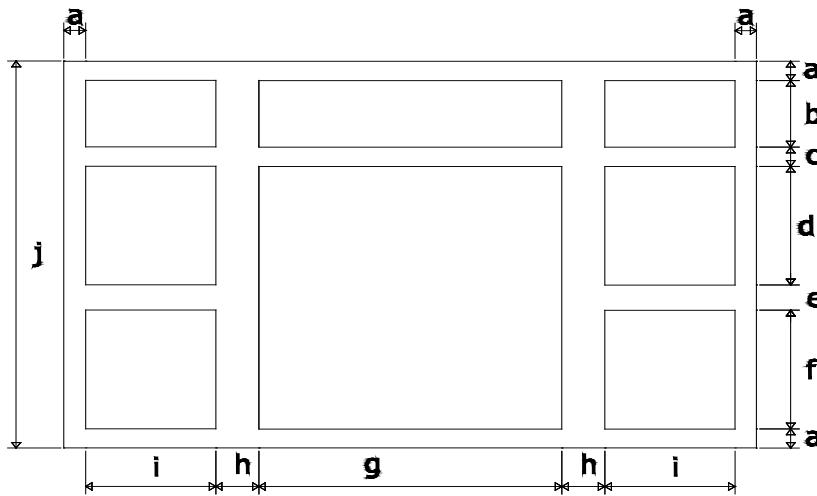
## Craftsman V3621



Bristol/ Salem	
a	1 1/2"
b	5 5/32"
c	1 1/2"
d	20 11/32"
e	33"
f	30"
g	15"
h	3"
i	36"

- 2 Door Vanity
- Door Opening: 15"W x 20 11/32"H
- Cabinet Inner Dimensions: 34 1/2"W x 19 3/4"D x 28 3/4"H
- Door Size: 16"W x 21 1/4"H
- False Drawer Head Size: 16"W x 6 5/32"H
- Cabinet Bottom Panel: 34 7/8"W x 20"D x 3/8"T
- Toe kick: 36"W x 4 1/2"H x 1/2"T

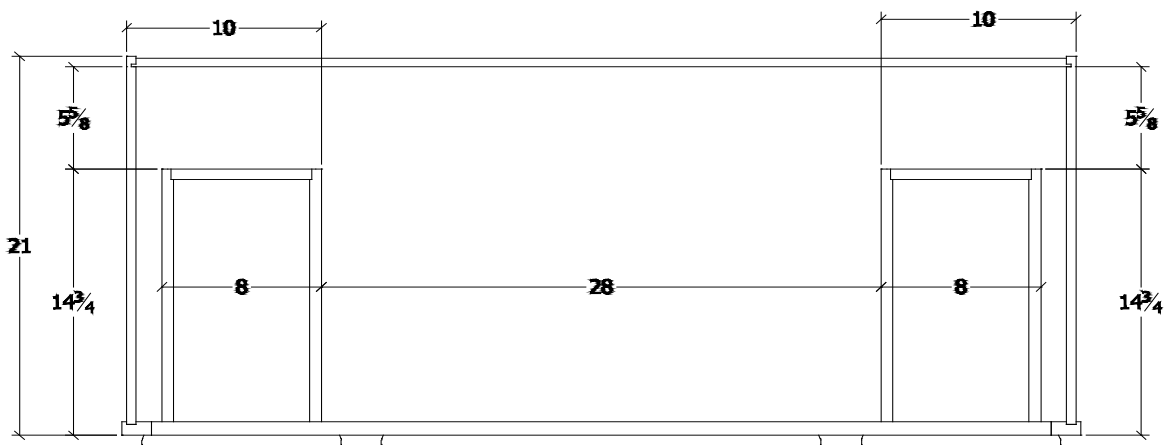
## Craftsman V4821D



- 2 Door / 4 Drawer Vanity
- Door Opening: 21"W x 20 <sup>11</sup>/<sub>32</sub>"H
- Drawer Inner Dimensions: 6 <sup>3</sup>/<sub>4</sub>"W x 13 <sup>1</sup>/<sub>2</sub>"D x 6 <sup>7</sup>/<sub>8</sub>"H
- Drawer Outer Dimensions: 8"W x 14 <sup>3</sup>/<sub>4</sub>"D x 7 <sup>11</sup>/<sub>16</sub>" H
- Door Size: 10 <sup>15</sup>/<sub>16</sub>"W x 21 <sup>1</sup>/<sub>4</sub>"H
- Drawer Head Size: 10"W x 10 <sup>5</sup>/<sub>16</sub>"H
- Large False Drawer Head Size: 22"W x 6 <sup>5</sup>/<sub>32</sub>"H
- Small False Drawer Head Size: 10"W x 6 <sup>5</sup>/<sub>32</sub>"H
- Cabinet Bottom Panel: 46 <sup>7</sup>/<sub>8</sub>"W x 20"D x <sup>3</sup>/<sub>8</sub>"T
- Toe kick: 48"W x 4 <sup>1</sup>/<sub>2</sub>"H x <sup>1</sup>/<sub>2</sub>"T

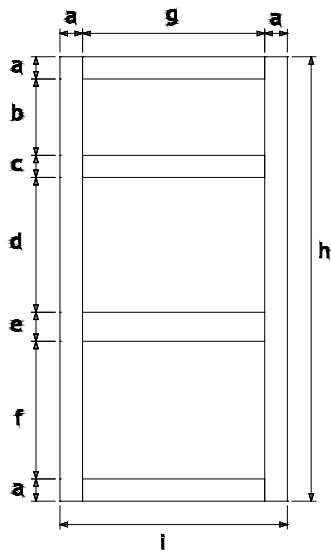
	Bristol/ Salem
a	1 <sup>1</sup> / <sub>2</sub> "
b	5 <sup>5</sup> / <sub>32</sub> "
c	1 <sup>9</sup> / <sub>16</sub> "
d	9 <sup>3</sup> / <sub>8</sub> "
e	1 <sup>9</sup> / <sub>16</sub> "
f	9 <sup>11</sup> / <sub>32</sub> "
g	21"
h	3"
i	9"
j	30"

- Top drawers are a false, non-working drawers



TOP VIEW

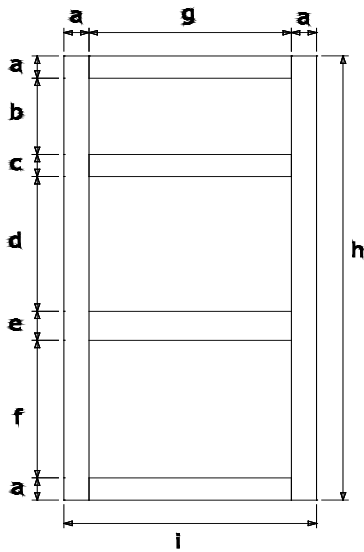
## Craftsman VDB1221



Bristol/ Salem	
a	1 1/2"
b	5 5/32"
c	1 9/16"
d	9 3/8"
e	1 9/16"
f	9 11/32"
g	9"
h	30"
i	12"

- 3 Drawer Base
- Top Drawer Head Size                    10"W x 6 5/32"H
- Bottom Drawer Head Size                10"W x 10 5/16"H
- Top Drawer Inner Dim.                    6 3/4"W x 13 1/2"D x 3 1/8"H
- Bottom Drawer Inner Dim.                6 3/4"W x 13 1/2"D x 6 7/8"H
- Top Drawer Outer Dim.                    8"W x 14 3/4"D x 3 15/16"H
- Bottom Drawer Outer Dim.                8"W x 14 3/4"D x 7 11/16"H

## Craftsman VDB1521

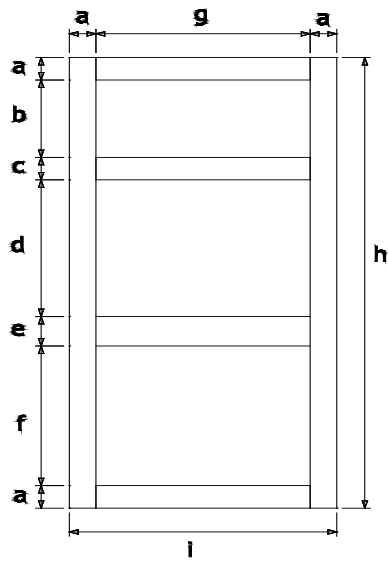


	Bristol/ Salem
a	1 1/2"
b	5 5/32"
c	1 9/16"
d	9 3/8"
e	1 9/16"
f	9 11/32"
g	12"
h	30"
i	15"

- 3 Drawer Base
- Top Drawer Head Size 13"W x 6 5/32"H
- Bottom Drawer Head Size 13"W x 10 5/16"H
- Top Drawer Inner Dim. 9 3/4"W x 13 1/2"D x 3 1/8"H
- Bottom Drawer Inner Dim. 9 3/4"W x 13 1/2"D x 6 7/8"H
- Top Drawer Outer Dim. 11"W x 14 3/4"D x 3 15/16"H
- Bottom Drawer Outer Dim. 11"W x 14 3/4"D x 7 11/16" H



## Craftsman VDB1821



	Bristol/ Salem
a	1 1/2"
b	5 5/32"
c	1 9/16"
d	9 3/8"
e	1 9/16"
f	9 11/32"
g	15"
h	30"
i	18"

- 3 Drawer Base
- Top Drawer Head Size 16"W x 6 5/32"H
- Bottom Drawer Head Size 16"W x 10 5/16"H
- Top Drawer Inner Dim. 12 3/4"W x 13 1/2"D x 3 1/8"H
- Bottom Drawer Inner Dim. 12 3/4"W x 13 1/2"D x 6 7/8"H
- Top Drawer Outer Dim. 14"W x 14 3/4"D x 3 15/16"H
- Bottom Drawer Outer Dim. 14"W x 14 3/4"D x 7 11/16"H

## Amesbury Vanity

### **General Specifications:**

- Material: Solid maple frame and door stiles, plywood cabinet box
- Stain: Espresso, Cherry, Mist, White, Brown
- Interior: Natural maple finish
- Small drawer head design: One piece (Slab)
- Large drawer head design: 5 piece
- Door design: Full (1 1/4") overlay
- Door & large drawer panel: Veneered MDF square and recessed

### **Cabinet Specifications:**

- Cabinet height: 34 1/2"
- Vanity depth: 21"
- Face frame: 3/4" x 1 1/2" Mortise & Tenon
- Side panels: 1/2" plywood with wood veneer on both sides
- Back panel: 1/2" plywood, open back for easy plumbing installation
- Toe kick: 1/2" x 4 1/2" plywood finished to match
- Center style: There is no center style on double door units
- Hinge: Soft closing, concealed cup hinge with a 110 degree opening and 3-dimensional adjustment (side, depth and height adjustment)

### **Drawer Construction:**

- Drawer design: Dovetail drawer
- Drawer sides: 3/4" solid wood
- Drawer bottom: 3/8" plywood with wood veneer
- Drawer glides: Under mount, full extension, soft closing glides
- Availability: BLUM glides available

## Quincy Vanity

### General Specifications:

- Material: Solid maple frame and door stiles, plywood cabinet box
- Stain: Espresso, Cherry, Brown
- Interior: Natural maple finish
- Small drawer head design: 5 piece
- Large drawer head design: 5 piece
- Door design: Full (1 1/4") overlay
- Door & large drawer panel: Veneered MDF square and recessed

### Cabinet Specifications:

- Cabinet height: 34 1/2"
- Vanity depth: 21"
- Face frame: 3/4" x 1 1/2" Mortise & Tenon
- Side panels: 1/2" plywood with wood veneer on both sides
- Back panel: 1/2" plywood, open back for easy plumbing installation
- Toe kick: 1/2" x 4 1/2" plywood finished to match
- Center style: There is no center style on double door units
- Hinge: Soft closing, concealed cup hinge with a 110 degree opening and 3-dimensional adjustment (side, depth and height adjustment)

### Drawer Construction:

- Drawer design: Dovetail drawer
- Drawer sides: 3/4" solid wood
- Drawer bottom: 3/8" plywood with wood veneer
- Drawer glides: Under mount, full extension, soft closing glides
- Availability: BLUM glides available

## Plymouth Vanity

### General Specifications:

- Material: Solid maple frame and door stiles, plywood cabinet box
- Stain: Painted white
- Interior: Natural maple finish
- Small drawer head design: One piece (Slab)
- Large drawer head design: 5 piece
- Door design: Full (1 1/4") overlay
- Door & large drawer panel: Veneered MDF square and recessed

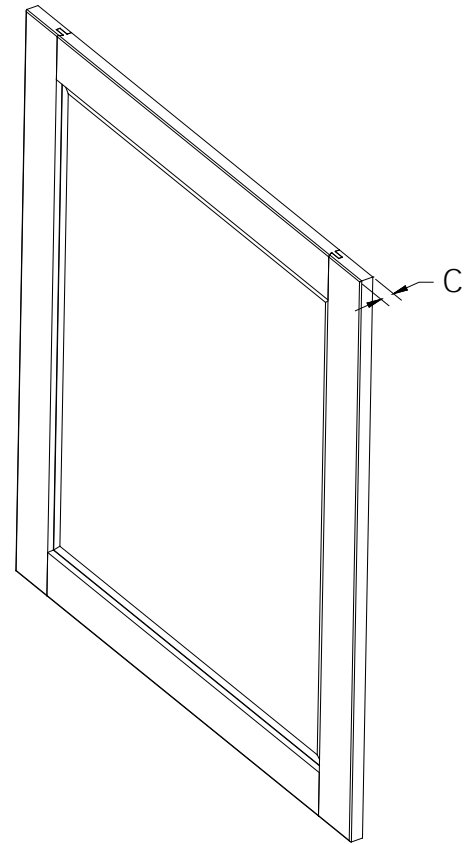
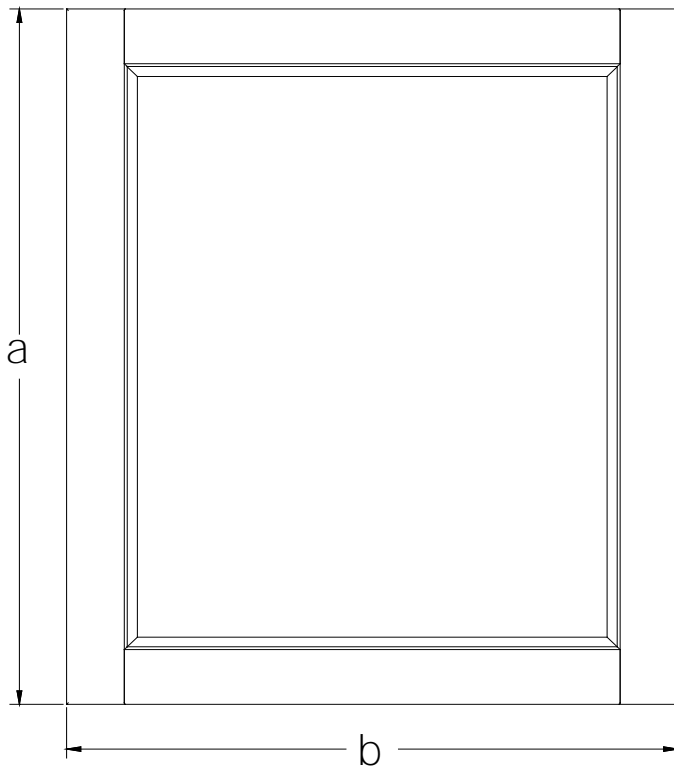
### Cabinet Specifications:

- Cabinet height: 34 1/2"
- Vanity depth: 21"
- Face frame: 3/4" x 1 1/2" Mortise & Tenon
- Side panels: 1/2" plywood with Poplar wood veneer on the inside
- Back panel: 1/2" plywood, open back for easy plumbing installation
- Toe kick: 1/2" x 4 1/2" plywood finished to match
- Center style: There is no center style on double door units
- Hinge: Soft closing, concealed cup hinge with a 110 degree opening and 3-dimensional adjustment (side, depth and height adjustment)

### Drawer Construction:

- Drawer design: Dovetail drawer
- Drawer sides: 3/4" solid wood
- Drawer bottom: 3/8" plywood with wood veneer
- Drawer glides: Under mount, full extension, soft closing glides
- Availability: BLUM glides available

**MR3036**

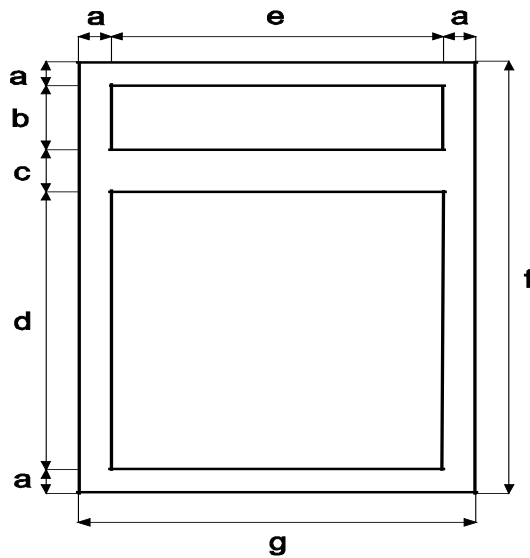


a	36"
b	30"
c	$\frac{3}{4}$ "

Glass Dimensions: 25  $\frac{1}{8}$ "W x 31  $\frac{1}{8}$ "H

- Mirror glass is beveled

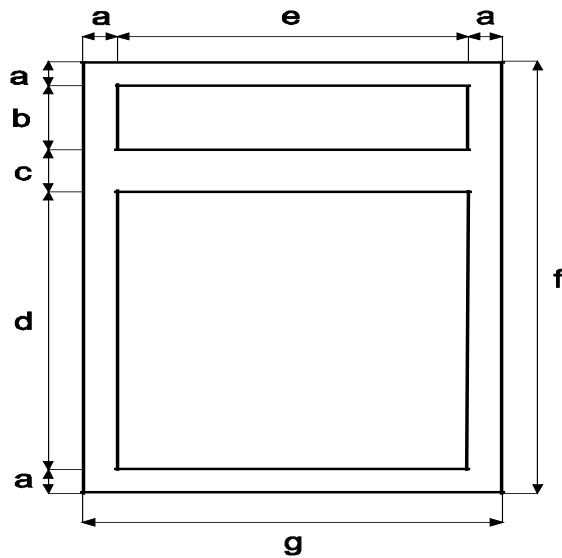
**Premier V2421**



Amesbury/ Quincy/ Plymouth	
a	1 1/2"
b	5 5/32"
c	1 1/2"
d	20 11/32"
e	21"
f	30"
g	24"

- 2 Door Vanity
- Door Opening: 21"W x 20 11/32"H
- Cabinet Inner Dimensions: 22 1/2"W x 19 3/4"D x 28 3/4"H
- Door Size: 11 11/16"W x 22 1/4"H
- False Drawer Head Size: 23 1/2"W x 6 1/2"H
- Cabinet Bottom Panel: 22 7/8"W x 20"D x 3/8"T
- Toe kick: 24"W x 4 1/2"H x 1/2"T

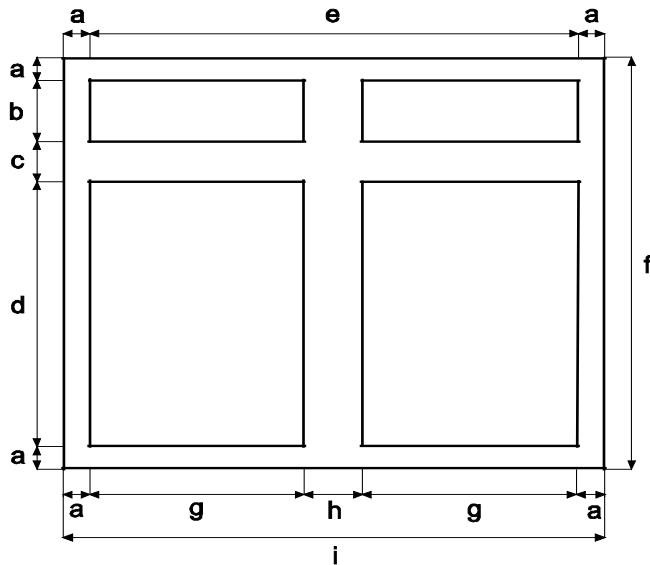
**Premier V3021**



Amesbury/ Quincy/ Plymouth	
a	1 1/2"
b	5 5/32"
c	1 1/2"
d	20 11/32"
e	27"
f	30"
g	30"

- 2 Door Vanity
- Door Opening: 27"W x 20 11/32"H
- Cabinet Inner Dimensions: 28 1/2"W x 19 3/4"D x 28 3/4"H
- Door Size: 14 11/16"W x 22 1/4"H
- False Drawer Head Size: 29 1/2"W x 6 1/2"H
- Cabinet Bottom Panel: 28 7/8"W x 20"D x 3/8"T
- Toe kick: 30"W x 4 1/2"H x 1/2"T

## Premier V3621

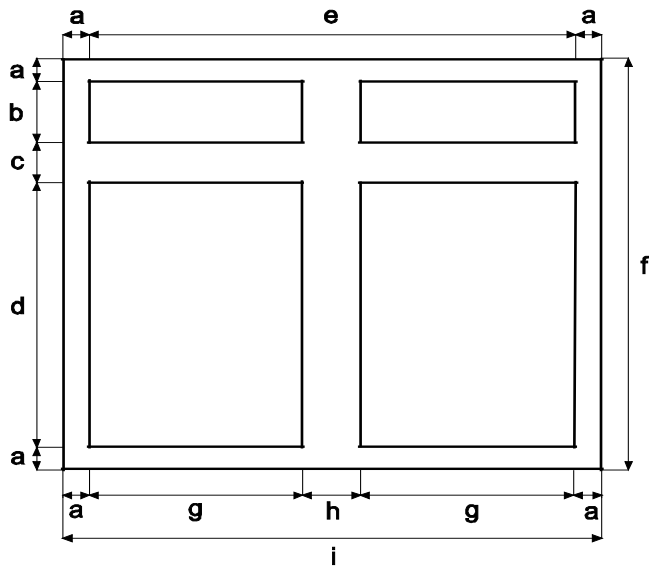


Amesbury/ Quincy/ Plymouth	
a	1 1/2"
b	5 5/32"
c	1 1/2"
d	20 11/32"
e	33"
f	30"
g	15"
h	3"
i	36"

- 2 Door Vanity
- Door Opening: 15"W x 20 11/32"H
- Cabinet Inner Dimensions: 34 1/2"W x 19 3/4"D x 28 3/4"H
- Door Size: 17 1/2"W x 22 1/4"H
- False Drawer Head Size: 17 1/2"W x 6 1/2"H
- Cabinet Bottom Panel: 34 7/8"W x 20"D x 3/8"T
- Toe kick: 36"W x 4 1/2"H x 1/2"T



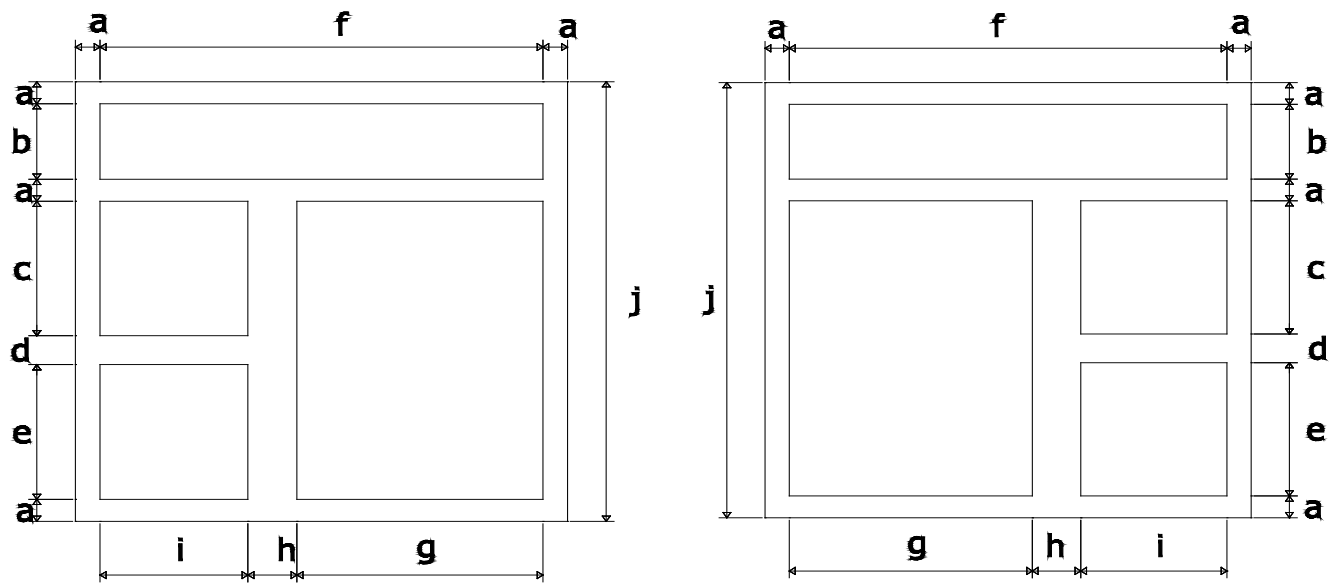
## Premier V4221



Amesbury/ Quincy/ Plymouth	
a	1 1/2"
b	5 5/32"
c	1 1/2"
d	20 11/32"
e	39"
f	30"
g	18"
h	3"
i	42"

- 2 Door Vanity
- Door Opening: 18"W x 20 11/32"H
- Cabinet Inner Dimensions: 40 1/2"W x 19 3/4"D x 28 3/4"H
- Door Size: 20 1/2"W x 22 1/4"H
- False Drawer Head Size: 20 1/2"W x 6 1/2"H
- Cabinet Bottom Panel: 40 7/8"W x 20"D x 3/8"T
- Toe kick: 42"W x 4 1/2"H x 1/2"T

**Premier V3021D**



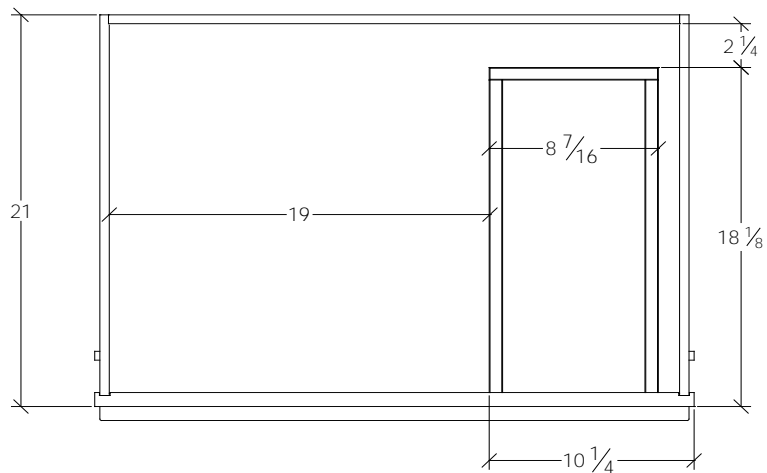
**V3021D-L**

**V3021D-R**

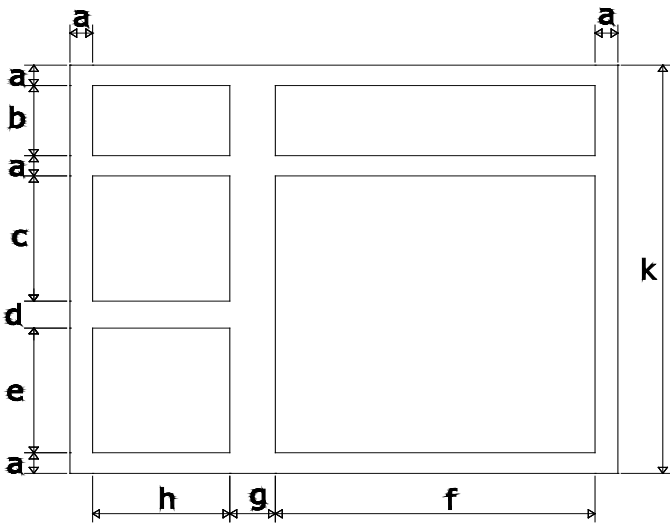
- 1 Door / 2 Drawer Vanity
- Door Opening: 15"W x 20 <sup>11</sup>/<sub>32</sub>"H
- Drawer Inner Dimensions: 7 <sup>1</sup>/<sub>8</sub>"W x 16 <sup>3</sup>/<sub>4</sub>"D x 7"H
- Drawer Outer Dimensions: 8 <sup>7</sup>/<sub>16</sub>"W x 18 <sup>1</sup>/<sub>8</sub>"D x 7 <sup>3</sup>/<sub>4</sub>"H
- Door Size: 17 <sup>1</sup>/<sub>2</sub>"W x 22 <sup>1</sup>/<sub>4</sub>"H
- Drawer Head Size: 11 <sup>1</sup>/<sub>2</sub>"W x 11"H
- False Drawer Head Size: 29 <sup>1</sup>/<sub>2</sub>"W x 6 <sup>1</sup>/<sub>2</sub>"H
- Cabinet Bottom Panel: 28 <sup>7</sup>/<sub>8</sub>"W x 20"D x <sup>3</sup>/<sub>8</sub>"T
- Toe kick: 30"W x 4 <sup>1</sup>/<sub>2</sub>"H x <sup>1</sup>/<sub>2</sub>"T

a	1 <sup>1</sup> / <sub>2</sub> "
b	5 <sup>5</sup> / <sub>32</sub> "
c	9 <sup>1</sup> / <sub>16</sub> "
d	2"
e	9 <sup>9</sup> / <sub>32</sub> "
f	27"
g	15"
h	3"
i	9"
j	30"

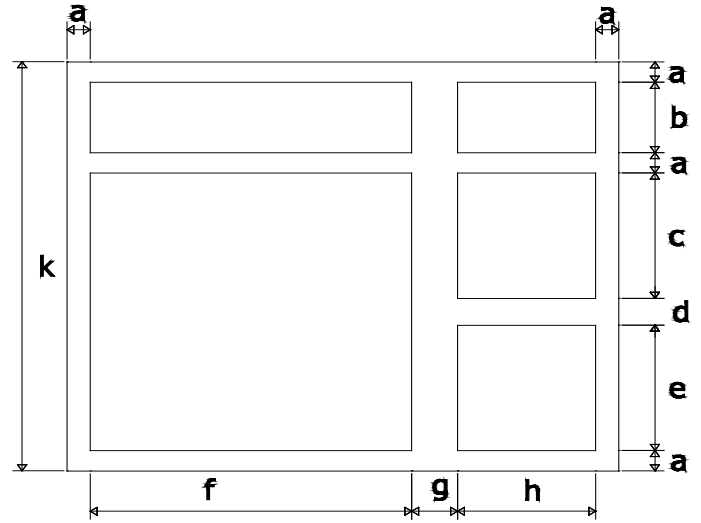
- Top drawer is a false, non-working drawer



**Premier V3621D**



**V3621D-L**

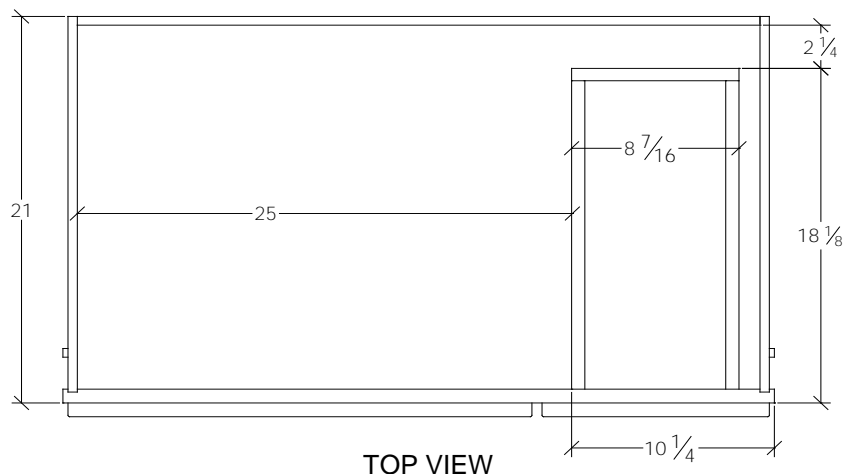


**V3621D-R**

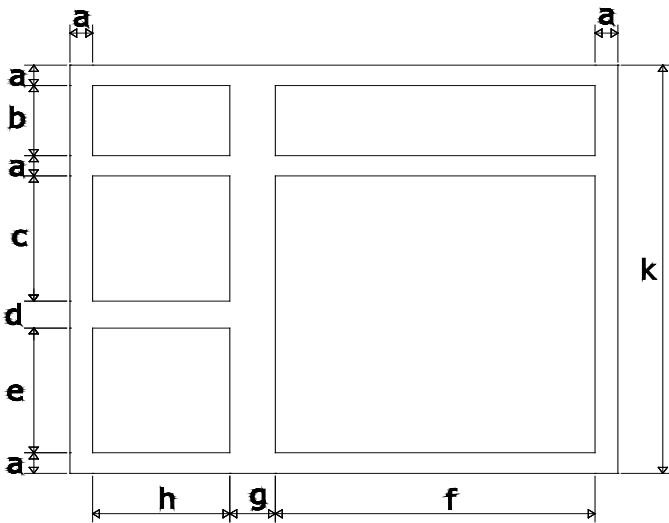
- 2 Door / 2 Drawer Vanity
- Door Opening: 21"W x 20 11/32"H
- Drawer Inner Dimensions: 7 1/8"W x 16 3/4"D x 7"H
- Drawer Outer Dimensions: 8 7/16"W x 18 1/8"D x 7 3/4"H
- Door Size: 11 11/16"W x 22 1/4"H
- Drawer Head Size: 11 1/2"W x 11"H
- Large False Drawer Head Size: 23 1/2"W x 6 1/2"H
- Small False Drawer Head Size: 11 1/2"W x 6 1/2"H
- Cabinet Bottom Panel: 34 7/8"W x 20"D x 3/8"T
- Toe kick: 36"W x 4 1/2"H x 1/2"T

a	1 1/2"
b	5 5/32"
c	9 1/16"
d	2"
e	9 9/32"
f	21"
g	3"
h	9"
k	30"

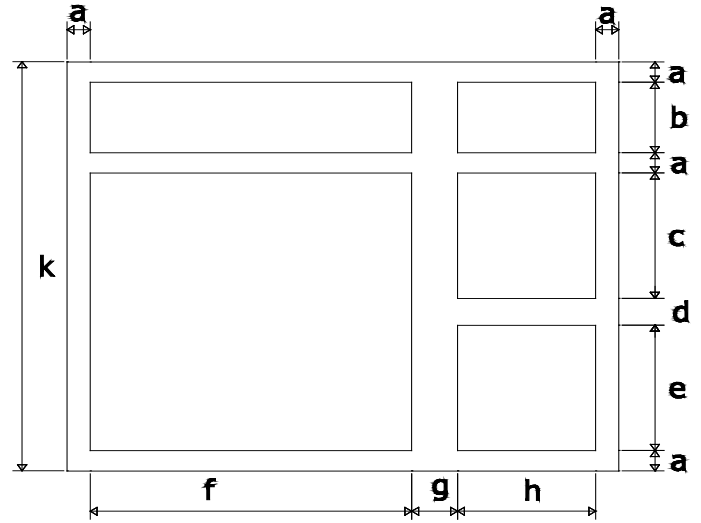
- Top drawers are a false, non-working drawers



## Premier V4221D



**V4221D-L**

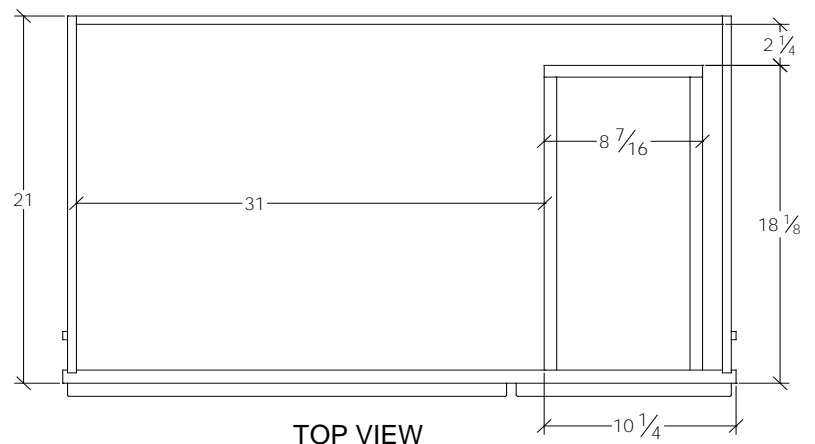


**V4221D-R**

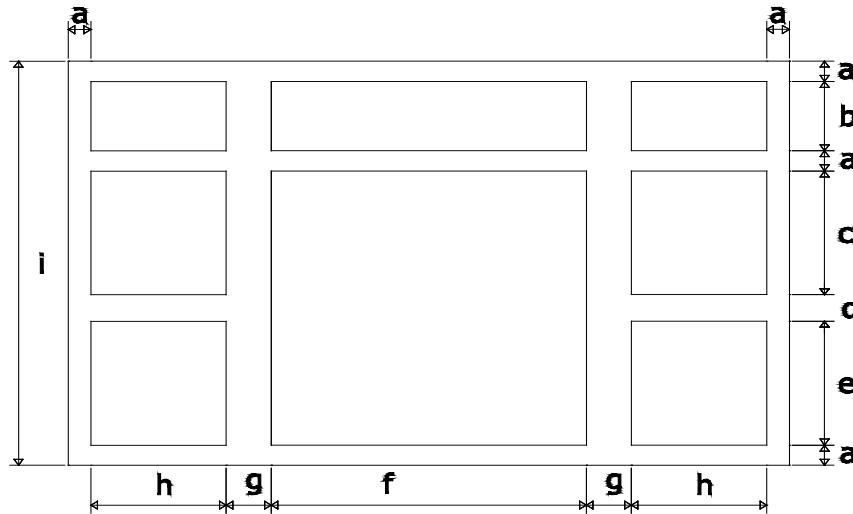
- 2 Door / 2 Drawer Vanity
- Door Opening: 27"W x 20 11/32"H
- Drawer Inner Dimensions: 7 1/8"W x 16 3/4"D x 7"H
- Drawer Outer Dimensions: 8 7/16"W x 18 1/8"D x 7 3/4"H
- Door Size: 14 11/16"W x 22 1/4"H
- Drawer Head Size: 11 1/2"W x 11"H
- Large False Drawer Head Size: 29 1/2"W x 6 1/2"H
- Small False Drawer Head Size: 11 1/2"W x 6 1/2"H
- Cabinet Bottom Panel: 40 7/8"W x 20"D x 3/8"T
- Toe kick: 42"W x 4 1/2"H x 1/2"T

a	1 1/2"
b	5 5/32"
c	9 1/16"
d	2"
e	9 9/32"
f	27"
g	3"
h	9"
k	30"

- Top drawers are a false, non-working drawers



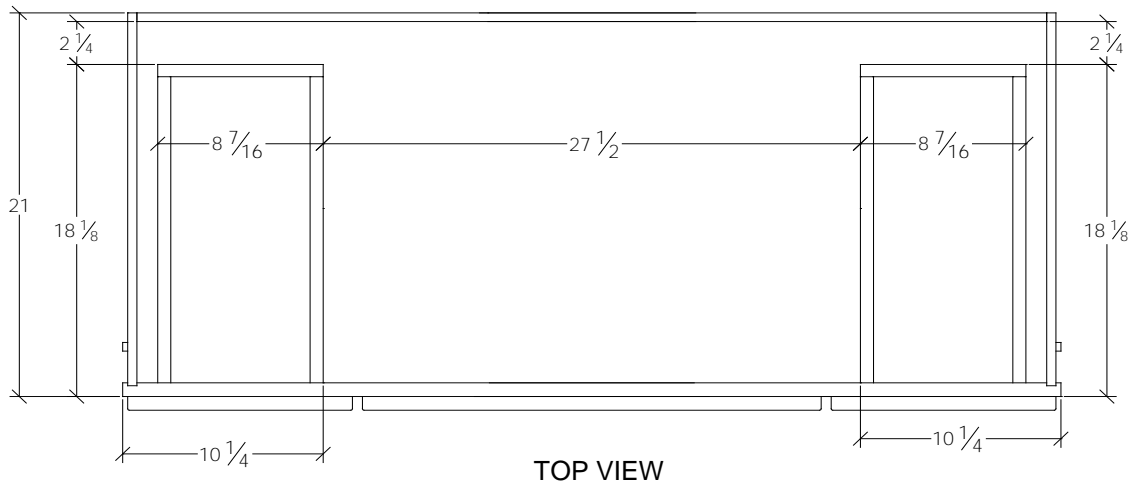
## Premier V4821D



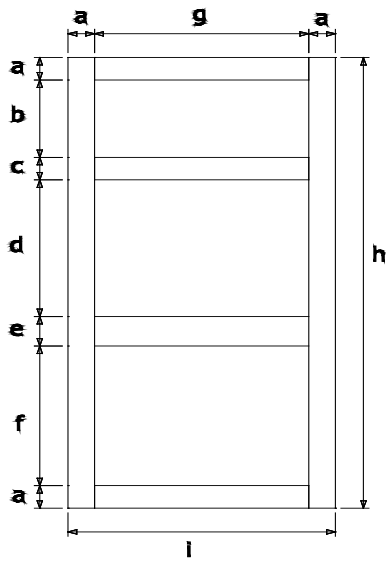
- 2 Door / 4 Drawer Vanity
- Door Opening: 21"W x 20 <sup>11</sup>/<sub>32</sub>"H
- Drawer Inner Dimensions: 7 <sup>1</sup>/<sub>8</sub>"W x 16 <sup>3</sup>/<sub>4</sub>"D x 7"H
- Drawer Outer Dimensions: 8 <sup>7</sup>/<sub>16</sub>"W x 18 <sup>1</sup>/<sub>8</sub>"D x 7 <sup>3</sup>/<sub>4</sub>"H
- Door Size: 11 <sup>11</sup>/<sub>16</sub>"W x 22 <sup>1</sup>/<sub>4</sub>"H
- Drawer Head Size: 11 <sup>1</sup>/<sub>2</sub>"W x 11"H
- Large False Drawer Head Size: 23 <sup>1</sup>/<sub>2</sub>"W x 6 <sup>1</sup>/<sub>2</sub>"H
- Small False Drawer Head Size: 11 <sup>1</sup>/<sub>2</sub>"W x 6 <sup>1</sup>/<sub>2</sub>"H
- Cabinet Bottom Panel: 46 <sup>7</sup>/<sub>8</sub>"W x 20"D x <sup>3</sup>/<sub>8</sub>"T
- Toe kick: 48"W x 4 <sup>1</sup>/<sub>2</sub>"H x <sup>1</sup>/<sub>2</sub>"T

a	1 <sup>1</sup> / <sub>2</sub> "
b	5 <sup>5</sup> / <sub>32</sub> "
c	9 <sup>1</sup> / <sub>16</sub> "
d	2"
e	9 <sup>9</sup> / <sub>32</sub> "
f	21"
g	3"
h	9"
i	30"

- Top drawers are a false, non-working drawers



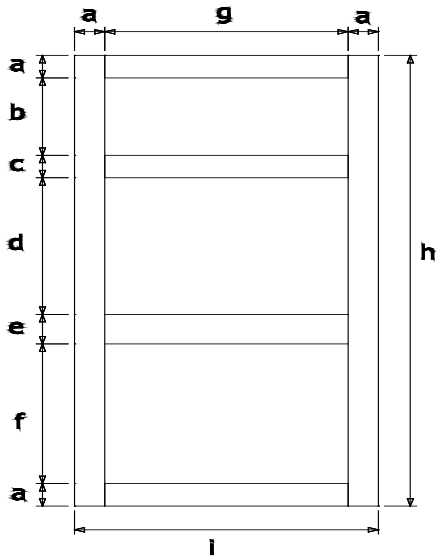
## Premier VDB1221



a	1 1/2"
b	5 5/32"
c	1 1/2"
d	9 1/16"
e	2"
f	9 9/32"
g	9"
h	30"
i	12"

- 3 Drawer Base
- Top Drawer Head Size 11 1/2"W x 6 1/2"H
- Bottom Drawer Head Size 11 1/2"W x 11"H
- Top Drawer Inner Dim. 7 1/8"W x 16 3/4"D x 3 1/4"H
- Bottom Drawer Inner Dim. 7 1/8"W x 16 3/4"D x 7"H
- Top Drawer Outer Dim. 8 7/16"W x 18 1/8"D x 4"H
- Bottom Drawer Outer Dim. 8 7/16"W x 18 1/8"D x 7 3/4"H

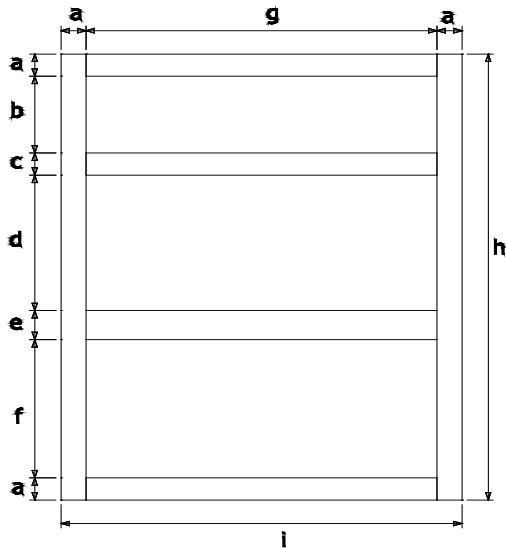
## Premier VDB1521



a	1 1/2"
b	5 5/32"
c	1 1/2"
d	9 1/16"
e	2"
f	9 9/32"
g	12"
h	30"
i	15"

- 3 Drawer Base
- Top Drawer Head Size 14 1/2"W x 6 1/2"H
- Bottom Drawer Head Size 14 1/2"W x 11"H
- Top Drawer Inner Dim. 10 1/8"W x 16 3/4"D x 3 1/4"H
- Bottom Drawer Inner Dim. 10 1/8"W x 16 3/4"D x 7"H
- Top Drawer Outer Dim. 11 7/16"W x 18 1/8"D x 4"H
- Bottom Drawer Outer Dim. 11 7/16"W x 18 1/8"D x 7 3/4"H

## Premier VDB1821



a	1 1/2"
b	5 5/32"
c	1 1/2"
d	9 1/16"
e	2"
f	9 9/32"
g	15"
h	30"
i	18"

- 3 Drawer Base
- Top Drawer Head Size                    17 1/2"W x 6 1/2"H
- Bottom Drawer Head Size                17 1/2"W x 11"H
- Top Drawer Inner Dim.                    13 1/8"W x 16 3/4"D x 3 1/4"H
- Bottom Drawer Inner Dim.                13 1/8"W x 16 3/4"D x 7"H
- Top Drawer Outer Dim.                    14 7/16"W x 18 1/8"D x 4"H
- Bottom Drawer Outer Dim.                14 7/16"W x 18 1/8"D x 7 3/4"H